

VOSSET[®]
Architectural Hardware

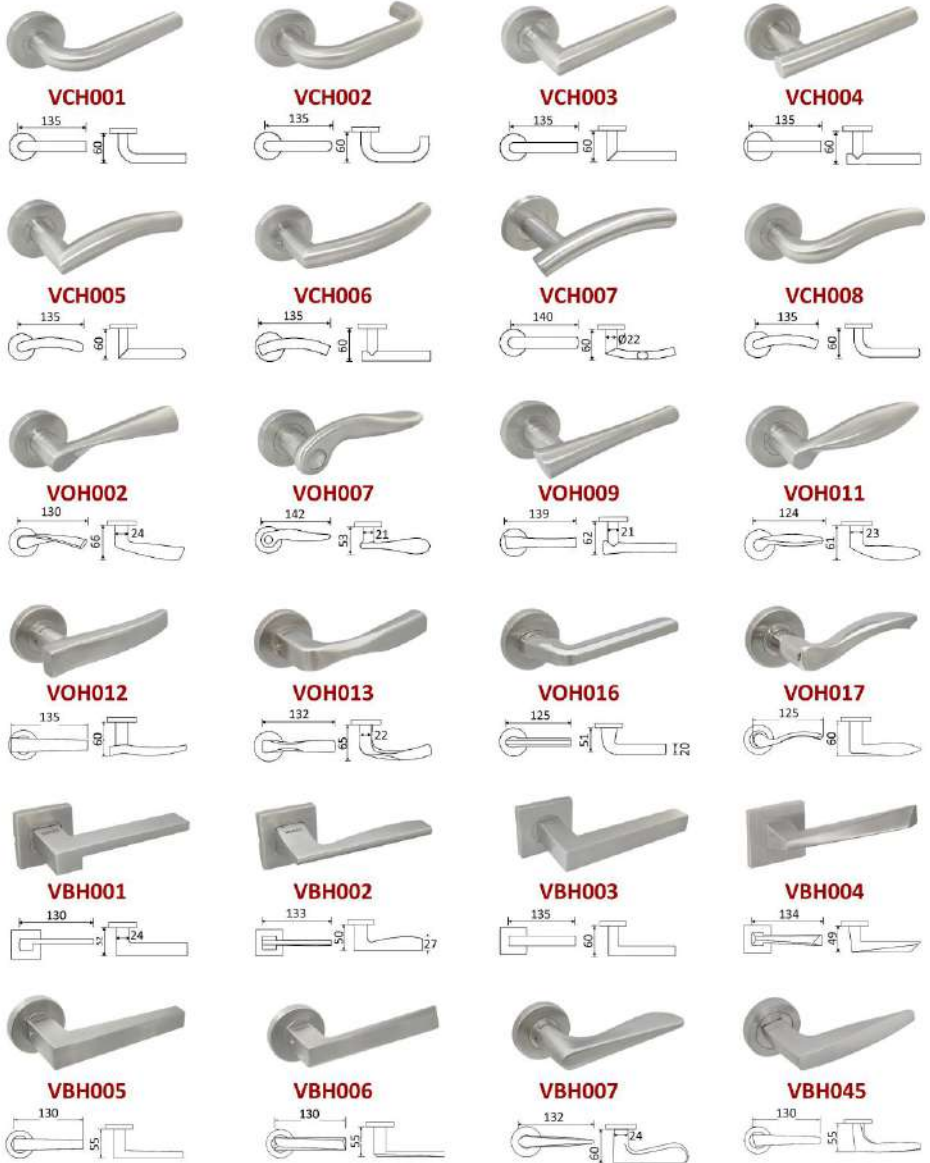
ARCHITECTURAL HARDWARE



2020 Product Range

FEATURES:

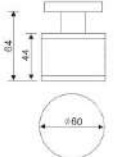
- All lever handles are made from SS Grade 304 and SS Grade 316 are available on request.
- Designed to fit most of euro mortise lock case.
- Certified in compliance with BS EN 1906: 2012
- Available in SSS, PB, PVD and AB finish. (other finishes available on request)
- Supplied with 1 spindle, 1 pair of escutcheons and four threaded screws.
- Please refer to the Master Catalogue for other lever handle design.



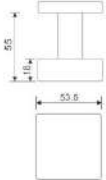
Knob Options



VKH001



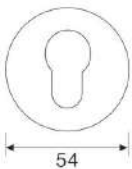
VKH002



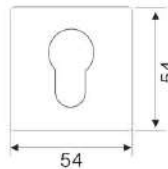
Escutcheons



VAE001



VAE002



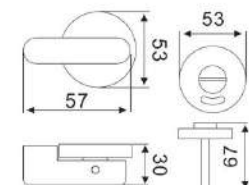
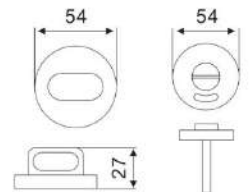
Thumbturn



VAT001



VAT002





Sash Lock
11.5572.ZF



Dead Lock
11.5572.ZDF



Passage Lock
11.5572.ZLF



Bathroom Lock
11.5578.ZWCF

FEATURES:

- Tested in accordance to BS EN 12209 / DIN 18.251 Class 3
- Optional for non-rebated doors
- Suitable for fire and smoke protection doors
- SS Grade 304 Deadbolt, Latch, Forend, Striking Plates and Follower
- Prepared for Euro Profile Cylinders
- With key action and two-turn deadbolt
- Supplied with strike plate, pocket and fixing screws
- Please refer to Master Catalogue for other lock types.



Classification Code										
3	X	9	1	0	G	3	B	C	2	0

EURO PROFILE CYLINDER

FEATURES:

- Tested according to BS EN 1303;2005
- Solid brass housing with 6 high quality brass pins
- Anti drilling/anti pulling protection available
- Suitable for Key Alike / Grand Master Key System
- Supplied with three 2.2mm brass keys with SN finish
- Available in PB, SN, CP, AB, SC Finishes
- Please refer to the Master Catalogue for other cylinder types.



Double Cylinder
VCL1706-SN



Computer Cylinder
VCL2706-SN



Half Cylinder
VCL3456-SN



Privacy Thumbturn Cylinder
VCLT470N-SN



Bathroom Cylinder
VCLB470N-SN



VH2B-433-SSS

FEATURES:

- Two ball bearing, five knuckle hinge.
- Tend to be durable, better performing and less noisy than standard hinges
- Suitable for fire/smoke resistant doors.
- Tested in accordance with the new European Specification EN 1935 Grade 13
- Manufactured from stainless steel Grade 304 and available in SS Grade 316 on request
- Packed with stainless steel wood screws.
- Machine screws (MS) are available on request for metal door frames.
- Available in both radius and square corner.
- Available in optional pin types (RP, NRP & SS)
- Please refer to Master Catalogue for other hinges types and sizes.

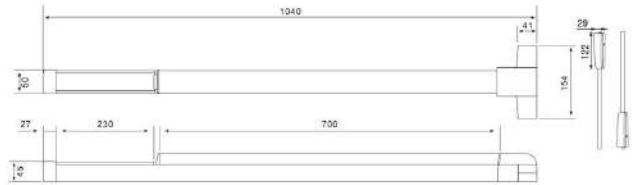
Classification Code						
4	7	6	1	1	4	13



VSED-1301S



VSED-1306S



DATA AND FEATURES		VSED-1301S	VSED-1306S
Lock Point		1	2
Standard Doors	(single leaf / double leaf)	•	•
Door Width	≤ 465 mm ≤ 650 mm	○	○
	< 650 mm ≤ 1320 mm	•	•
Door Height	≤ 2133 mm	•	•
	≤ 3200 mm	○	○
Maximum Door Weight (Kg)		200	200
Non-handed Design		•	•
Dogging Device		○	○
Security Anti-thrust Latch		•	—
For Fire and Smoke Check Doors		•	•
For door leaf thickness up to 50mm		•	•
Extended handle spindle and bolts for door leaf thickness of 50 – 105mm		○	○
Approved to EN1125		•	•
Fire Rated to EN1634		•	•
CE Marked for building products		•	•
Materials	Stainless Steel Grade 304	•	•
	Steel, Painting	○	○

• = Yes — = No ○ = Option

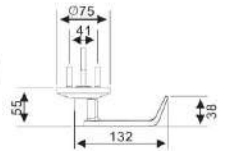
Outside Access Device



VSEA 004

Lever Trim

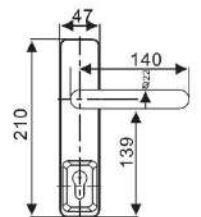
Non handed
Stainless Steel 304, Zinc Alloy
Certified EN 1634 fire rated
Door Thickness: 45-50mm
Finish: SS, PSS, PVD, AB



VSEA 010

Escutcheon Lever Trim

Non handed
Stainless Steel 304
Certified EN 1634 fire rated
Door Thickness: 45-50mm
Finish: SS, PSS, PVD, AB



Classification Code									
3	7	6	B	1	4	2	2	B	A/C



• Please refer to Master Catalogue for other types of Exit Device.



Dome Stop
VDS001



Cylindrical Stop
VDS003



Wall Stop
VDS101



Door Viewer
VDV003



Dust Excluding Socket
VDA001



Door Chain
VDA100



Door Guard
VDA102



Lever Action Flush Bolt
VFB002



Metal Door Flush Bolt
VFB101



Pull Escutcheon
VAE201



Indicator Bolt
VAT101



Number Signage
VSA001



Signage
VSA101



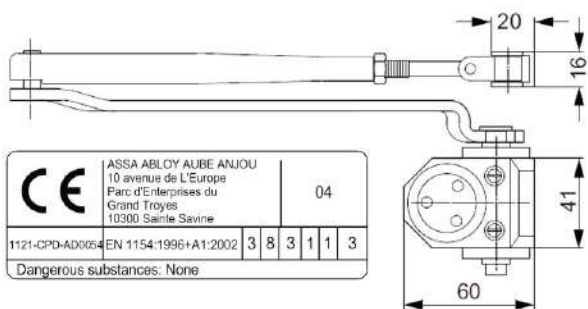
Push Plate
VPP101



Pull Handle
VPH004



DC110

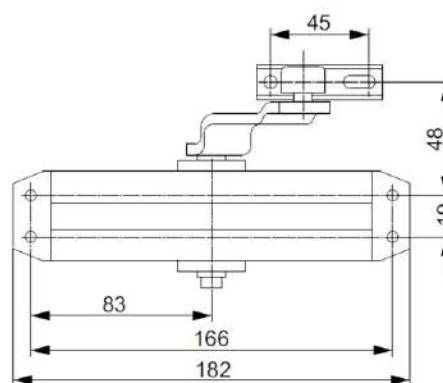


ASSA ABLOY

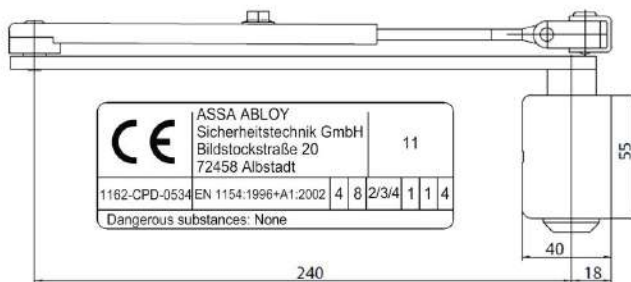
The global leader in door opening solutions

FEATURES:

- Rack and pinion door closer with link arm
- Certified in compliance with EN 1154, size 3
- For single action doors up to 950 mm
- Can be used for left and right-handed doors
- Suitable for fire and smoke protection doors.
- Closing and latching speed adjustable via regulating valves
- Thermodynamic valves for consistent performance
- Available in Silver, White, Black and Gold Finishes

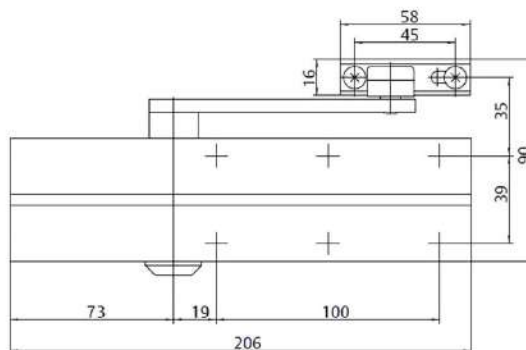


DC140

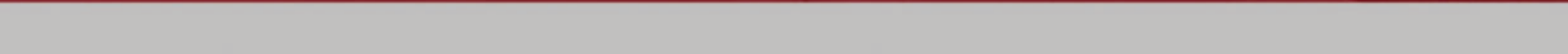


FEATURES:

- Rack and pinion door closer with link arm
- Certified in compliance with EN 1154, size 2/3/4
- For single action doors up to 1100 mm
- Can be used for left and right-handed doors
- Suitable for fire and smoke protection doors.
- Closing speed, latching speed and backcheck adjustable via front facing regulating valves
- Thermodynamic valves for consistent performance
- Closing force configurable
- Opening angle up to 180°
- Available in Silver, White and Black Finishes



• Please refer to Master Catalogue for other Door Closer types and sizes.



VOSET[®]
Architectural Hardware

VOSET UK Limited

Greter Manchester, United Kingdom

E-mail Address: sales@voset.uk.com

Website: www.voset.uk.com