



VOSET[®]

Architectural Hardware

SOLUTIONS FOR A MODERN HOME

VOSET

HIGHEST QUALITY
WIDEST RANGE

2022 PRODUCT RANGE

www.voset.uk.com

VOSET[®]

Architectural Hardware

VOSET UK Limited
19 Athole Street, Salford,
Greater Manchester, M5 4FL. United Kingdom,
Tel : 00447908809850
info@voaset.uk.com www.voaset.uk.com

2022 PRODUCT RANGE
www.voaset.uk.com

SOLUTIONS FOR A MODERN HOME

When considering a building project, be it the design and construction of a brand new building or the refurbishment of an existing location, it is essential that a great deal of care and consideration be given to the choice of architectural hardware and associated equipment that is to be included in the project. Not only must the quality of products be of the highest level, but ancillary services such as ease of ordering, an efficient and fair returns service, as well as excellent and reliable customer support must all be available if success is to be achieved.

ABOUT OUR STORY

HIGHEST QUALITY, WIDEST RANGE

VOSET is a leading and established provider of architectural and related hardware, appropriate for all building projects, whether they be large or small. Our England-based brand offers the highest quality of workmanship, value for money and a full, 10 year warranty. Only the finest architectural materials are used, together with the latest manufacturing technology, in order to ensure the production and delivery of the very highest quality items. Our products are CE marked and carry Intertek quality assurance certificates.



VOSET can supply door locks, lever handles, cylinders, lock cases, fancy door handles as well as state-of-the-art digital locks and digital door viewers. VOSET also supplies window-based architectural hardware. We carry a large and comprehensive product range that will enable architects and designers to fully implement the

requirements of their clients, safe in the knowledge that the quality and reliability of necessary components will be unsurpassed.

Our Brand Products Catalogue clearly defines the attributes of each product, ensuring that our clients obtain exactly the right product for the purpose in hand. New products are added on a regular basis. Our customer service team can advise clients as to the suitability of component products and offer detailed advice where needed.

KEY TO FINISH

	SSS – Satin Stainless Steel		SLV – Silver
	PSS – Polished Stainless Steel		PB – Polished Brass
	CP – Polished Chrome		AB – Antique Bronze
	SC – Satin Chrome		BNZ – Bronze
	SN – Satin Nickel		PVD – Physical Vapor Deposition

CARE OF PRODUCTS AND FINISHES

Regular cleaning of product using a clean cloth and soapy warm water is recommended. Cleaning should always be followed by a rinse of clean hot water and the wiped dry using clean towel. Abrasive and acid based materials should not be used.

GUARANTEE

To support the high quality and first class engineering that has gone into VOSET range, the manufacturer gives a five to ten years guarantee (subject to conditions) against defects due to faulty manufacturing, workmanship or defective material. The manufacturer agrees to replace any defective VOSET product free of charge during the warranty period provided that the product has been correctly installed and maintained in accordance with VOSET's installation and maintenance instruction. This guarantee does not apply to mechanical faults caused willfully or negligently, or to the surface finish of your product.

DISCLAIMER

Efforts has been made to ensure the accuracy of all information contained in this catalogue is correct. However, to continually improve our products and offer the highest quality, VOSET UK Limited reserves the right to make alteration without prior notice.

ICON LEGENDS



CE Marking is a mandatory conformity marking for certain products sold on the market. It is the manufacturer's declaration that the product meets the essential requirements of the applicable Construction Product Directives



Suitable for use on fire resisting doors.



Conforming to British / European standard required.



Intertek is an independent third party certification scheme that ensures quality, health, environmental, safety, and social accountability standards of a product for virtually any market around the world.



Suitable to meet the needs of disabled people.



10 Years Mechanical Guarantee.



5 Years Mechanical Guarantee.

SECTION 1	HINGE	1.01 – 1.14
2	MORTISE LOCK	2.01 – 2.14
3	CYLINDER	3.01 – 3.10
4	LEVER HANDLE	4A.01 – 4F.35
	COMMERCIAL SERIES	4A.01 – 4A.06
	KNOB HANDLE	4B.01 – 4B.04
	OXFORD SERIES	4C.01 – 4C.14
	BRISTOL SERIES	4D.01 – 4D.21
	HANDLE ON PLATE	4E.01 – 4E.02
	PREMIUM SERIES	4F.01 – 4F.36
5	PULL HANDLE	5.01 – 5.06
6	DOOR CLOSER	6.01 – 6.18
7	EXIT DEVICE	7.01 – 7.16
8	ACCESSORIES	8.01 – 8.14



HINGES

The exceptional design features and high quality of VOSET hinges offers the guarantee of paralleled reliability and extended service life. Manufactured from highest quality materials and it is capable of withstanding a sever degree of use.

Our ball bearing door hinges, by far, the smoothest and quietest option for hanging your door. Because of the lubricated bearings, these hinges are much more durable and long-lasting than other types of hinges.

CERTIFICATE OF CONSTANCY OF PERFORMANCE

0905-CPR-000356-01

In compliance with Regulation (EU) No 305/2011 of the European Parliament and of the Council of 9 March 2011 (the Construction Products Regulation or CPR), this certificate applies to the construction product(s)

Product(s): Building hardware - Single-axis hinges - Requirements and test methods (refer to attached appendix for details and conditions)
Placed on the market under the name or trade mark of: VOSET International Ltd.
Suite 1152, 275 New North Road, Islington, London N1 7AA, United Kingdom
and produced in the manufacturing plant(s): SG- 15509
Intended use: On fire/smoke compartmentation doors fitted with door closing devices (to enable such doors to close reliably and thus achieve self-closing in the event of fire)

This certificate attests that all provisions concerning the assessment and verification of constancy of performance described in Annex ZA of the standard(s):

EN 1935:2002/AC:2003

Under System 1 for the performances set out in this certificate are applied and that the performance of the construction product fulfils all the prescribed requirements for these performances.

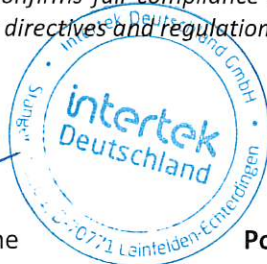
This certificate replaces **0359-CPR-000356-01** first issued on **2015-02-03** and will remain valid as long as the test methods and/or factory production control requirements included in the harmonised standard, used to assess the performances of the declared essential characteristics, do not change, and the construction product, and the manufacturing conditions in the plant are not modified significantly, unless suspended or withdrawn by the product certification body.



The issued document and statement(s) herein makes reference only to a presumption of conformity in accordance with the CPR Regulations EU 305/2011 (as amended). However, it is the manufacturer's or their authorised representative's sole responsibility to affix the CE logo and, by doing so, confirms full compliance and conformity to all other European mandatory directives and regulations that may also apply.

Signature:


95778
Dipl.-Ing. Roland Heine



Date: 2020-09-08

Issue: 01

Name:

Position: Certification Manager

This Certificate is for the exclusive use of Intertek's client and is provided pursuant to the agreement between Intertek and its Client. Intertek's responsibility and liability are limited to the terms and conditions of the agreement. Intertek assumes no liability to any party, other than to the Client in accordance with the agreement, for any loss, expense or damage occasioned by the use of this Certificate. Only the Client is authorized to permit copying or distribution of this Certificate and then only in its entirety. Any use of the Intertek name or one of its marks for the sale or advertisement of the tested material, product or service must first be approved in writing by Intertek.

BS EN 1935: 2002 - SINGLE AXIS HINGES

This standard provides details on product types, classification by use, test cycles, door mass, corrosion resistance, as well as definitions, product performance requirements, test apparatus, test methods and marking of products.

BS EN 1935 classifies door furniture by using an 8 digit coding system. A similar classification applies to all building hardware product standards so that complementary items of hardware can be specified to, for instance, a common level of corrosion resistance, category of use, etc. Each digit refers to a particular feature of the product measured against the standard's performance requirements.

DIGIT 1: CATEGORY OF USE

- Grade 1:** Light Duty.
- Grade 2:** Medium Duty.
- Grade 3:** Heavy Duty.
- Grade 4:** Severe Duty.

DIGIT 2: DURABILITY

Three grades are identified for single-axis hinges manufactured to this European Standard:

- Grade 3:** 10,000 test cycles, for light duty hinges on windows.
- Grade 4:** 25,000 test cycles, for light duty hinges on windows and doors.
- Grade 7:** 200,000 test cycles, for medium, heavy and severe duty hinges on doors.

DIGIT 3: TEST DOOR MASS

Eight door mass grades related to single-axis hinges are identified in this European standard as shown in Table below:

Test Door Mass Grade	Door Mass
0	10 Kgs
1	20 Kgs
2	40 Kgs
3	60 Kgs
4	80 Kgs
5	100 Kgs
6	120 Kgs
7	160 Kgs

DIGIT 4: SUSTAINABILITY FOR FIRE/SMOKE DOOR USE

- Grade 0:** Not suitable for fire/smoke resistant door assemblies.
- Grade 1:** Suitable for fire/smoke resistant door assemblies subject to satisfactory assessment of the contribution of the single-axis hinge to the fire resistance of the specified fire/smoke door assemblies.

DIGIT 5: SAFETY

Single-axis hinges are required to satisfy the essential requirements of safety in use. Therefore, only Grade 1 is identified.

DIGIT 6: CORROSION RESISTANCE

Five grades of corrosion resistance are identified in accordance with EN 1670:

- Grade 0:** No defined corrosion resistance.
- Grade 1:** Mild resistance.
- Grade 2:** Moderate resistance.
- Grade 3:** High resistance.
- Grade 4:** Very high resistance

DIGIT 7: SECURITY

Two grades of security are identified for single-axis hinges:

Grade 0: Not suitable for use on burglar-resistant door assemblies.

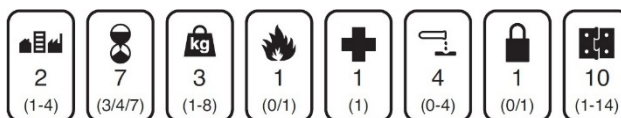
Grade 1: Suitable for applications requiring a degree of security. Annex C of this European standard details the hinge grade to use for the level of security required.

DIGIT 8: HINGE GRADE

Fourteen grades are identified in this European standard and are detailed in Table below. The full classification is shown in the standard.

Hinge Grade	Usage	Test Cycles	Door Mass
1	Window	10,000	10 Kgs
2	Window	10,000	20 Kgs
3	Window/Door	25,000	20 Kgs
4	Door	200,000	20 Kgs
5	Window	10,000	40 Kgs
6	Window/Door	25,000	40 Kgs
7	Door	200,000	40 Kgs
8	Window	10,000	60 Kgs
9	Window/Door	25,000	60 Kgs
10	Door	200,000	60 Kgs
11	Door	200,000	80 Kgs
12	Door	200,000	100 Kgs
13	Door	200,000	120 Kgs
14	Door	200,000	160 Kgs

EXAMPLE:



The above marking denotes a single-axis hinge for use in medium duty situations, tested to 200 000 cycles, for use on doors with a mass up to 60 kg, with stated fire door suitability, satisfying the essential requirement of safety in use, high corrosion resistance, suitable for burglar-resistant doors and with a hinge grading of 10.

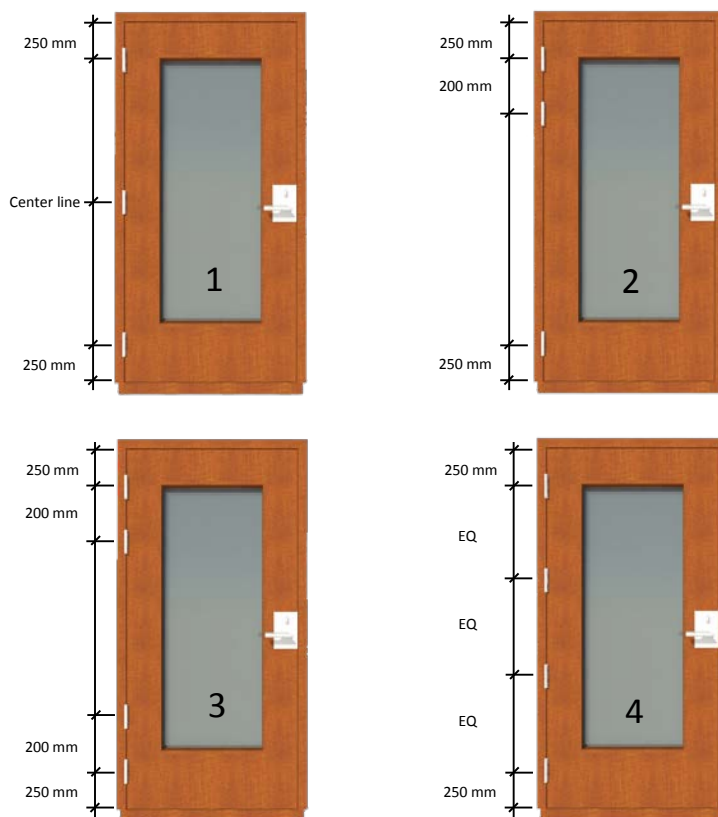
CE MARK

Single axis hinges intended for use on fire resisting doors and smoke control doors are covered by a Construction Products Directive mandate issued by the European Commission. Consequently, this standard is regarded as a “harmonised” standard and compliance with it, supported by suitable evidence, allows the application of the CE mark.

NUMBER AND POSITION OF HINGES

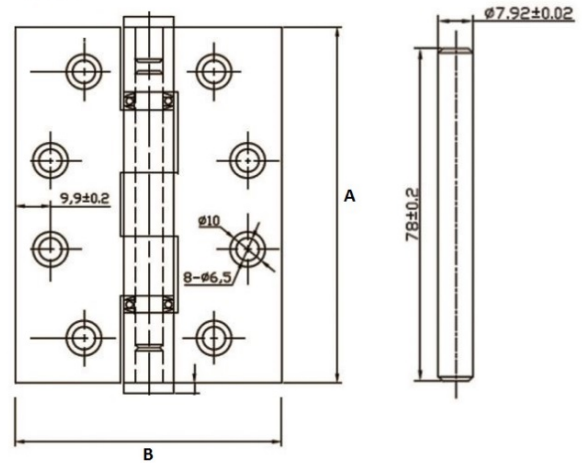
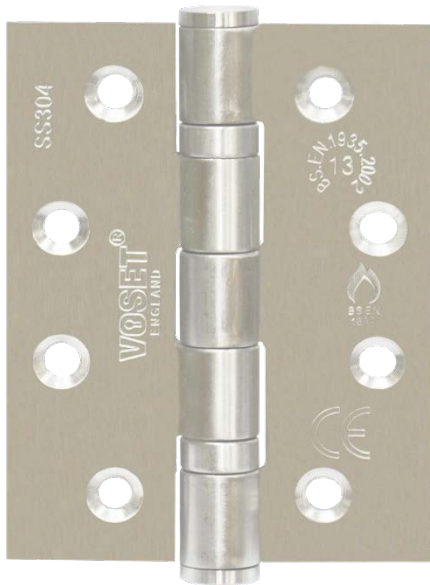
It is recommended that at least 3 hinges should be used on fire and escape route doors. The following are examples of typical hinge positions:

1. Standard three hinge positioning. One hinge shall be positioned on the center line of the door height the other two hinges being at 250mm from the top and bottom edge of the door to the center line of the hinge. This hinge layout gives stability to the door.
2. Alternative three hinge positioning. With fire doors becoming heavier there is a practice to fit two hinges at the top of the door with the third hinge at the bottom of the door. With this configuration, hinges are positioned as follows: center line of the top and bottom hinge 250mm from the top and bottom edge of the door, the center line of the third hinge is 200mm from the center line of the top hinge.
3. For doors heavier than the recommended door mass, it may be possible to install 2 hinges on top and 2 hinges on bottom of the door as shown for improved load bearing capacity.
4. Four hinges equally spaced on tall doors as shown to give maximum resistance to warping.



INFLUENCE OF DOOR CLOSER

Door closer put extra stress on the hinges of fire resistant and escape door sets. For a standard door closer it is recommended that the door mass should be notionally increased by 20%. The effect of a back check door closer is greater and it is recommended that the door mass should be notionally increased by 75%.



FEATURES:

- Double ball bearing, five knuckle hinge.
- Tend to be durable, better performing and less noisy hinges. Ball bearing technology for stability under high radial and axial force.
- Manufactured from Grade 304 Stainless Steel (Grade 316 available upon special request).
- Tested in accordance with the new European Specification EN 1935:2002/AC:2003
- Tested over 200,000 cycles
- Suitable for fire/smoke resisting doors.
- Non-handed. Suitable for wooden, steel and aluminum framed doors.
- Available in both radius and square corner.
- Packed with stainless steel wood screws. Machine screws (MS) for metal door frames are available on request
- Available in optional Pin Types: Removable Pin(RP) – Non Removable Pin(NRP) – Security Stud(SS).
- Other finishing available upon special request.

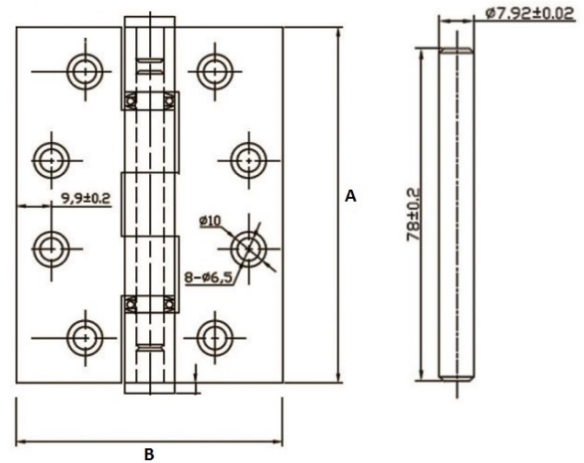
Classification Code

4 7 6 1 1 4 0 13



- Finishes:**
- PSS - Polished Stainless Steel
 - SSS - Satin Stainless Steel
 - BNZ - Bronze
 - PVD




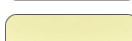
Item Code	Dimension			Load Bearing Capacity
	A. Height (mm)	B. Width (mm)	C. Thickness (mm)	
VH2B-433	102	76	3	Up to 120 Kgs
VH2B-43.53	102	89	3	Up to 120 Kgs
VH2B-443	102	102	3	Up to 120 Kgs
VH2B-4.543	114	102	3	Up to 120 Kgs
VH2B-4.54.53	114	114	3	Up to 120 Kgs
VH2B-4.543.5	114	102	3.5	Up to 120 Kgs
VH2B-4.54.53.5	114	114	3.5	Up to 120 Kgs



FEATURES:

- Double ball bearing, five knuckle hinge.
- Tend to be durable, better performing and less noisy hinges. Ball bearing technology for stability under high radial and axial force.
- Suitable for non-fire rated doors.
- Non-handed. Suitable for wooden, steel and aluminum framed doors.
- Available in both radius and square corner.
- Packed with stainless steel wood screws. Machine screws (MS) for metal door frames are available on request
- Available in optional Pin Types: Removable Pin(RP) – Non Removable Pin(NRP) – Security Stud(SS).

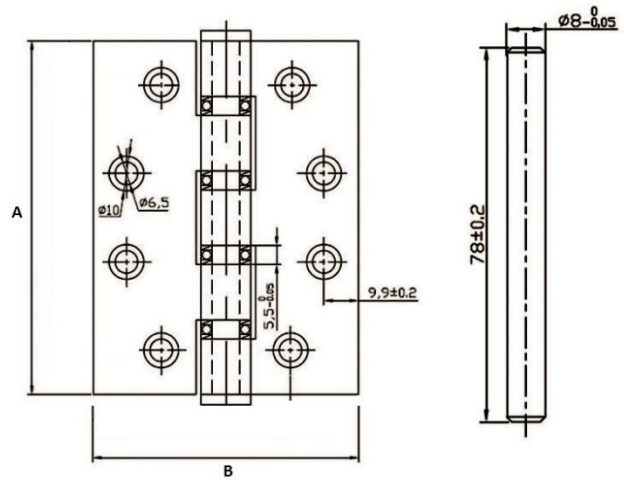


- Finishes:**
-  PSS - Polished Stainless Steel
 -  SSS - Satin Stainless Steel
 -  BNZ - Bronze
 -  PVD

Item Code	Dimension			Load Bearing Capacity
	A. Height (mm)	B. Width (mm)	C. Thickness (mm)	
VHINBB-433	102	76	3	Up to 120 Kgs
VHINBB-43.53	102	89	3	Up to 120 Kgs
VHINBB-443	102	102	3	Up to 120 Kgs
VHINBB-4.543	114	102	3	Up to 120 Kgs
VHINBB-4.54.53	114	114	3	Up to 120 Kgs
VHINBB-4.543.5	114	102	3.5	Up to 120 Kgs
VHINBB-4.54.53.5	114	114	3.5	Up to 120 Kgs

Hinge

Ball Bearing Butt Hinge



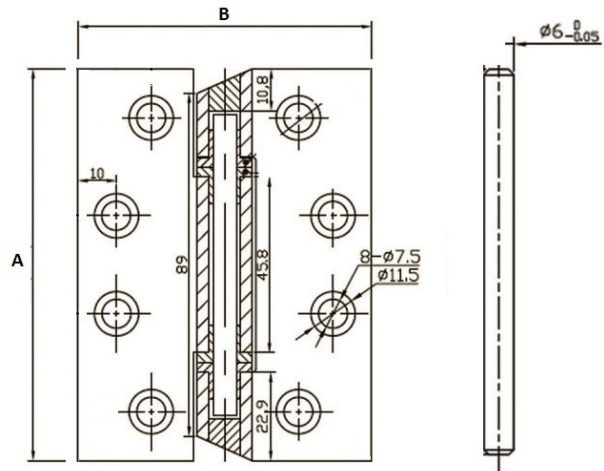
FEATURES:

- Four ball bearing, five knuckle hinge.
- Tend to be durable, better performing and less noisy hinges. Ball bearing technology for stability under high radial and axial force.
- Manufactured from Grade 304 Stainless Steel (Grade 316 available upon special request).
- Tested in accordance with the new European Specification EN 1935 Grade 13.
- Non-handed. Suitable for wooden, steel and aluminum framed doors.
- Available in both radius and square corner.
- Packed with stainless steel wood screws. Machine screws (MS) for metal door frames are available on request
- Available in optional Pin Types: Removable Pin(RP) – Non Removable Pin(NRP) – Security Stud(SS).



- Finishes:**
- PSS - Polished Stainless Steel
 - SSS - Satin Stainless Steel
 - BNZ - Bronze
 - PVD

Item Code	Dimension			Load Bearing Capacity
	A. Height (mm)	B. Width (mm)	C. Thickness (mm)	
VH4B-433	102	76	3	Up to 120 Kgs
VH4B-43.53	102	89	3	Up to 120 Kgs
VH4B-443	102	102	3	Up to 120 Kgs
VH4B-4.543	114	102	3	Up to 120 Kgs



FEATURES:

- Double ball bearing, three knuckle slope ends anti-ligature hinge.
- Tend to be durable, better performing and less noisy hinges. Ball bearing technology for stability under high radial and axial force.
- Manufactured from Grade 304 Stainless Steel (Grade 316 available upon special request).
- Tested in accordance with the new European Specification EN 1935 Grade 13.
- Tested over 200,000 cycles
- Suitable for fire/smoke resisting doors.
- Non-handed. Suitable for wooden, steel and aluminum framed doors.
- Available in both radius and square corner.
- Packed with stainless steel wood screws. Machine screws (MS) for metal door frames are available on request
- Available in optional Pin Types: Removable Pin(RP) – Non Removable Pin(NRP) – Security Stud(SS).

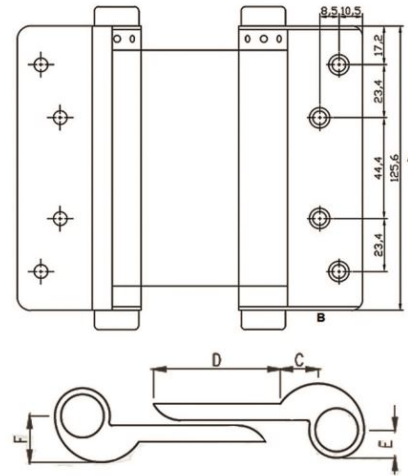
Classification Code

4	7	6	1	1	4	0	13
---	---	---	---	---	---	---	----



- Finishes:**
- PSS - Polished Stainless Steel
 - SSS - Satin Stainless Steel
 - BNZ - Bronze
 - PVD

Item Code	Dimension			Load Bearing Capacity
	A. Height (mm)	B. Width (mm)	C. Thickness (mm)	
VHHT-433	102	76	3	Up to 120 Kgs
VHHT-43.53	102	89	3	Up to 120 Kgs
VHHT-443	102	102	3	Up to 120 Kgs
VHHT-4.543.5	114	102	3	Up to 120 Kgs



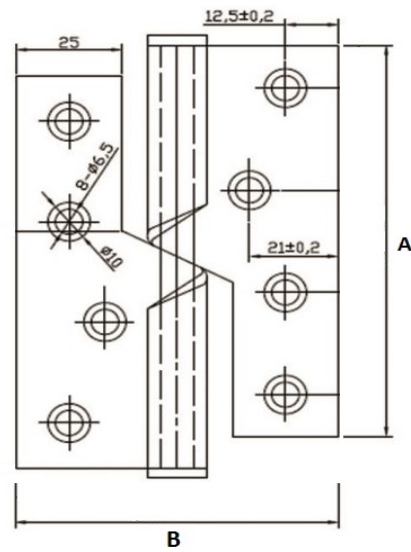
FEATURES:

- Easy opening and closing action is faster than floor springs and transom closers.
- Allows the door to open in either direction and spring action returns the door to center closed position.
- Adjustable spring tension and permits power and speed adjustment.
- No hanging strip is required on the door frame.
- For timber frames and flush doors
- Packed with stainless steel wood screws.
- Manufactured from Grade 304 Stainless Steel (Grade 316 available upon special request).



- Finishes:**
- PSS - Polished Stainless Steel
 - SSS - Satin Stainless Steel
 - BNZ - Bronze
 - PVD





Item Code	Dimension (mm)						Load Bearing Capacity
	A	B	C	D	E	F	
VHDA-001	101.60	40	16.5	23.5	25	16.3	Up to 35 Kgs
VHDA-002	127.00	45	16.5	32	25	17.5	Up to 45 Kgs
VHDA-003	152.40	51.5	16.5	35	25	17.5	Up to 55 Kgs



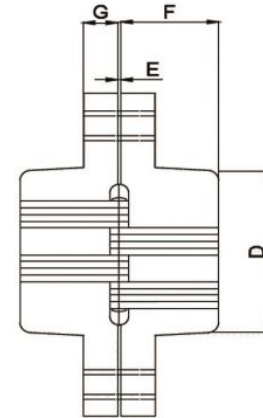
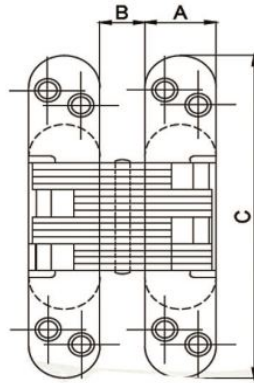
FEATURES:

- Pitch of hinge makes door easy to close.
- Suitable application in doorways with thick floor coverings, when self closing door is desired and when an easily removable door is needed.
- Non-handed. Suitable for wooden, steel and aluminum framed doors.
- Packed with stainless steel wood screws. Machine screws (MS) for metal door frames are available on request
- Manufactured from Grade 304 Stainless Steel (Grade 316 available upon special request).



- Finishes:**
-  PSS - Polished Stainless Steel
 -  SSS - Satin Stainless Steel
 -  BNZ - Bronze
 -  PVD




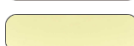
Item Code	Dimension			Load Bearing Capacity
	A. Height (mm)	B. Width (mm)	C. Thickness (mm)	
VHRB-432.5	102	76	2.5	
VHRB-433	102	76	3	



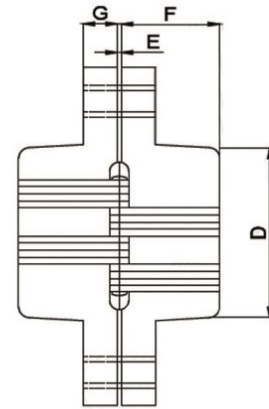
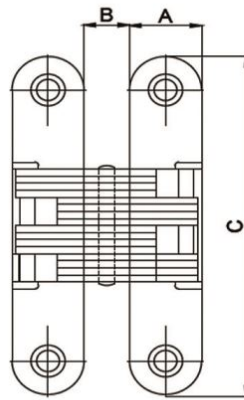
FEATURES:

- Hinge is completely concealed when door is closed.
- With ABS washer
- Hinge opens a maximum of 180°.
- Non-handed. Suitable for wooden, steel and aluminum framed doors.
- Packed with stainless steel wood screws. Machine screws (MS) for metal door frames are available on request
- Made from high strength plated stainless steel and heavy duty zinc alloy castings.



- Finishes:**
-  PSS - Polished Stainless Steel
 -  SSS - Satin Stainless Steel
 -  BNZ - Bronze
 -  PVD





Item Code	Dimension (mm)						
	A	B	C	D	E	F	G
VHCH-ABS-28.58117.48	28.58	22.23	117.48	61.91	1.59	40.48	10.32



FEATURES:

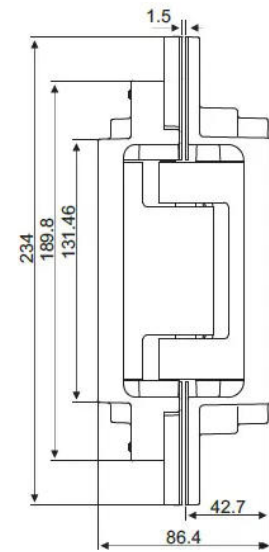
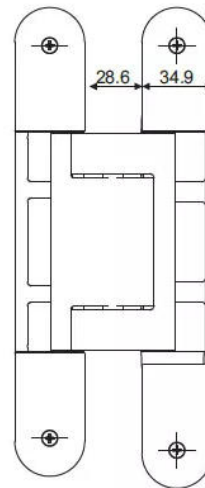
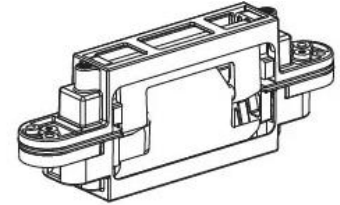
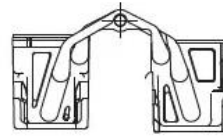
- Hinge is completely concealed when door is closed.
- Hinge opens a maximum of 180°.
- Non-handed. Suitable for wooden, steel and aluminum framed doors.
- Packed with stainless steel wood screws. Machine screws (MS) for metal door frames are available on request
- Made from high strength plated stainless steel and heavy duty zinc alloy castings.



- Finishes:**
-  PSS - Polished Stainless Steel
 -  SSS - Satin Stainless Steel
 -  BNZ - Bronze
 -  PVD

Item Code	Dimension (mm)						
	A	B	C	D	E	F	G
VHCH-1345	13	9	45	18	0.8	18	5
VHCH-1360.6	13	8	60.6	30.5	0.8	17.5	6.2
VHCH-1670	16	11	70	34	0.8	22.5	7.4
VHCH-1995	19	12.5	95	51.2	1.2	27	9
VHCH-25117.5	25	17.5	117.5	64	1.6	36	11.2
VHCH-28118	28	21.5	118	61.5	1.4	41	9.5
VHCH-34138.5	34	27.5	138.5	74.5	1.6	51	11

CHS310



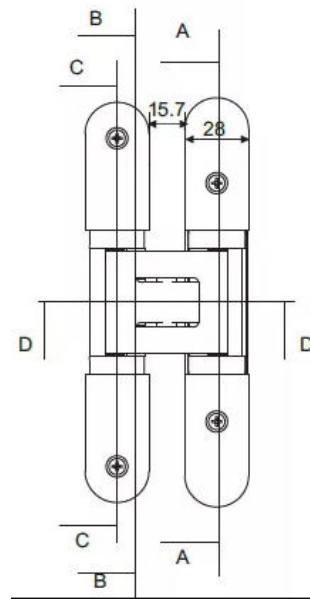
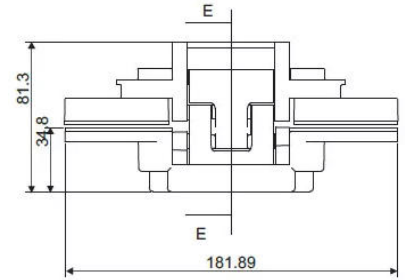
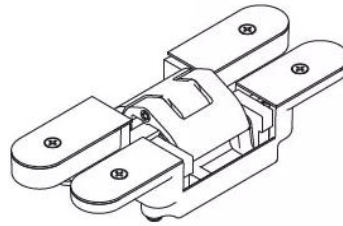
FEATURES:

- Capacity: w/2 installed: 440 lbs [200] kg
- Hinge is completely concealed when door is closed.
- made of solid stainless steel for unrebated heavy-duty doors
- Minimum door thickness :45 mm
- Hinge opens a maximum of 180°
- Tested on DN EN 1935:2002
- Continuously Adjustable in 3 Dimensions
 - Side: + / - 3mm
 - Height: + / - 3mm
 - Depth: + / - 1mm



CHS320

Hinge



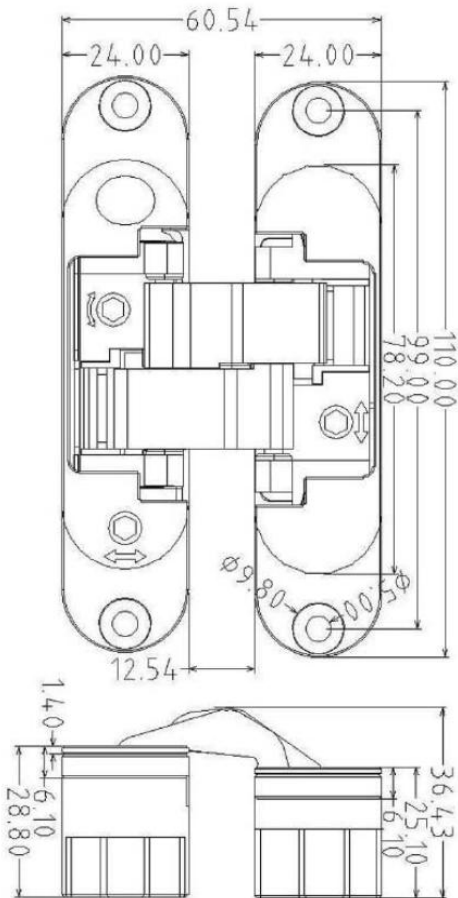
FEATURES:

- Capacity: w/2 installed: 264 lbs [120] kg
- Hinge is completely concealed when door is closed.
- made of solid stainless steel for unrebrated heavy-duty doors
- Minimum door thickness : 32mm
- Hinge opens a maximum of 180°
- Tested on DN EN 1935:2002
- Continuously Adjustable in 3 Dimensions
 - Side: + / - 3mm
 - Height: + / - 3mm
 - Depth: + / - 1mm

Concealed Hinge



160/040

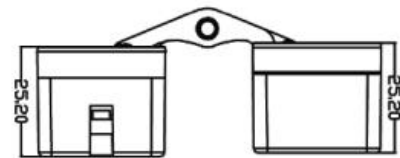
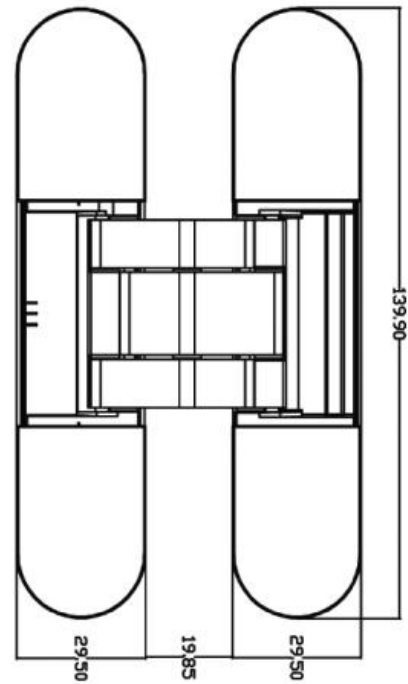


FEATURES:

- Capacity: w/ 2 installed: 88 lbs [40] kg
- Hinge is completely concealed when door is closed.
- 110 x 24 x 29/25mm
- Minimum door thickness : 36mm
- Intermediate Gap: 12mm
- Hinge opens a maximum of 180°
- Tested on DN EN 1935:2002
- Continuously Adjustable in 3 Dimensions
 - Horizontal: + / - 1.5mm
 - Vertical: + / - 2.5mm
 - Depth: + / - 1.0mm



160/060

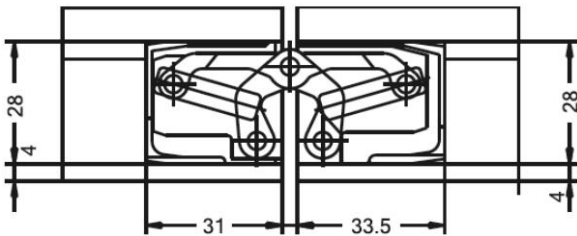
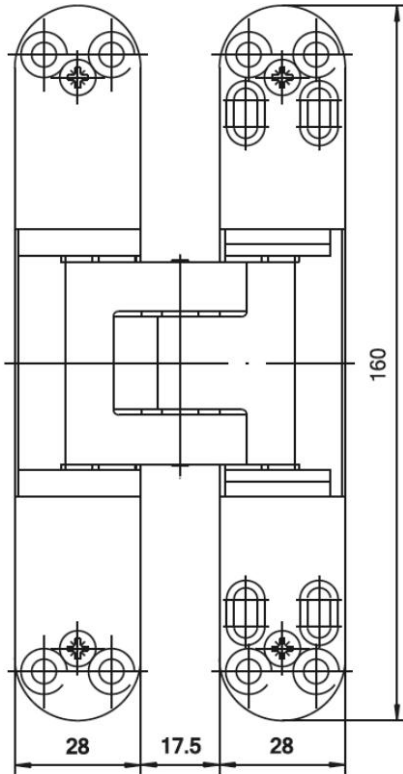


FEATURES:

- Capacity: w/ 2 installed: 132 lbs [60] kg
- Hinge is completely concealed when door is closed.
- 140 x 30 x 25/25mm
- Minimum door thickness : 36mm
- Intermediate Gap: 36mm
- Hinge opens a maximum of 180°
- Tested on DN EN 1935:2002
- Continuously Adjustable in 3 Dimensions
 - Horizontal: + / -1.5mm
 - Vertical: + / - 2.0mm
 - Depth: + / - 1mm



160/080



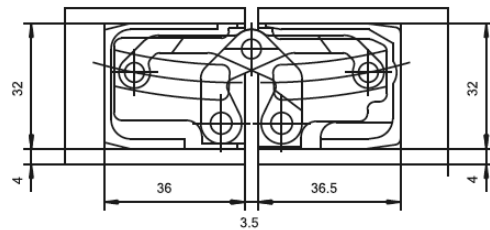
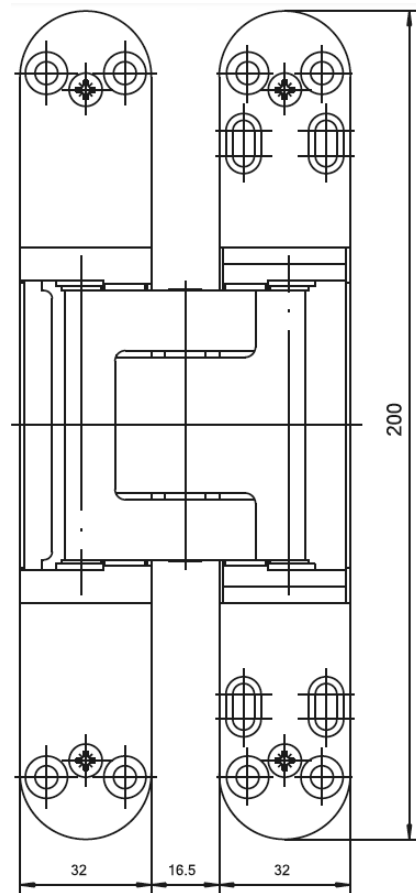
FEATURES:

- Capacity: w/ 2 installed: 176 lbs [80] kg
- Hinge is completely concealed when door is closed.
- 160 x 28 x 31/34 mm
- Minimum door thickness : 36mm
- Intermediate Gap: 17.5mm
- Hinge opens a maximum of 180°
- Tested on DN EN 1935:2002
- Continuously Adjustable in 3 Dimensions
 - Horizontal: + / - 3mm
 - Vertical: + / - 3mm
 - Depth: + / - 1mm



160/120

Hinge



FEATURES:

- Capacity: w/ 2 installed: 264 lbs [120] kg
- Hinge is completely concealed when door is closed.
- 200 x 32 x 36/36mm
- Minimum door thickness : 40mm
- Intermediate Gap: 16.5mm
- Hinge opens a maximum of 180°
- Tested on DN EN 1935:2002
- Continuously Adjustable in 3 Dimensions
 - Horizontal: + / - 3mm
 - Vertical: + / - 3mm
 - Depth: + / - 1mm

Concealed Hinge



MORTISE LOCK

VOSET locks series are manufactured from the best quality materials to achieve exceptional durability for extreme reliability, provides maximum security and functionality and can withstand the constant use and abuse.

VOSET offers a wide variety of design and sizes that is suitable for architectural specification and for both commercial and residential applications.

CERTIFICATE OF CONSTANCY OF PERFORMANCE

0905-CPR-201234-01

In compliance with Regulation 305/2011/EU of the European Parliament and of the Council of 9 March 2011 (the Construction Products Regulation), this certificate applies to the construction product(s)

Product(s): Building hardware - Locks and latches - Mechanically operated locks, latches and locking plates (refer to attached appendix for details and conditions)

Placed on the market under the name or trademark of: VOSET UK LIMITED
20 Broadwick Street, Soho, London, United Kingdom (UK).

and produced in the manufacturing plant(s): SG-15309

Intended use: When used with an appropriate door closing device on fire and/or smoke control doors to fulfil the self-closing requirement of such doors, and thereafter to ensure that the door remains shut.

This certificate attests that all provisions concerning the assessment and verification of constancy of performance described in Annex ZA of the standard(s):

EN 12209:2003/AC:2005

Under System 1 for the performance set out in this certificate are applied and that the performance of the construction product fulfils all the prescribed requirements for these performances.

This certificate first issued on **2020-07-20** and will remain valid as long as the test methods and/or factory production control requirements included in the harmonised standard, used to assess the performances of the declared essential characteristics, do not change, and the construction product, and the manufacturing conditions in the plant are not modified significantly, unless suspended or withdrawn by the product certification body.



0905

The issued document and statement(s) herein makes reference only to a presumption of conformity in accordance with the CPR Regulations EU 305/2011 (as amended). However, it is the manufacturer's or their authorised representative's sole responsibility to affix the CE logo and, by doing so, confirms full compliance and conformity to all other European mandatory directives and regulations that may also apply.

Signature:

Date: 2020-07-20

Name:

Dipl.-Ing. Roland Heine

Issue: 01

Position: Certification Manager



This Certificate is for the exclusive use of Intertek's client and is provided pursuant to the agreement between Intertek and its Client. Intertek's responsibility and liability are limited to the terms and conditions of the agreement. Intertek assumes no liability to any party, other than to the Client in accordance with the agreement, for any loss, expense or damage occasioned by the use of this Certificate. Only the Client is authorized to permit copying or distribution of this Certificate and then only in its entirety. Any use of the Intertek name or one of its marks for the sale or advertisement of the tested material, product or service must first be approved in writing by Intertek.

BS EN 12209 : 2003 **MECHANICALLY OPERATED LOCKS, LATCHES AND LOCKING PLATES**

Fundamental to this standard is a comprehensive classification system for assessing the wide range of products needed to satisfy the diverse requirements of the European market. Features assessed include normal use (and abuse) forces, long-term durability, fire/smoke resistance, corrosion and temperature resistance and security, both manipulative and physical.

BS EN 12209 classifies mechanically operated locks, latches and locking plates using an 11 digit coding system. The system is comprehensive but it has led to the use of letters (rather than numbers) in certain boxes, since there can only be one digit in each classification box.

DIGIT 1: CATEGORY OF USE

Grade 1: Low frequency of use by people with a high incentive to exercise care and a small chance of misuse, e.g. internal residential doors.

Grade 2: Medium frequency of use by people with some incentive to exercise care but where there is some chance of misuse, e.g. internal office doors.

Grade 3: High frequency of use by public or others with little incentive to exercise care and with a high chance of misuse, e.g. public doors.

DIGIT 2: DURABILITY

Twelve grades are identified with minimum figures for deadbolt and snib operation, and latch bolt operation with and without side load, as shown. The side load is applied to the latch bolt when it is being withdrawn.

↑ No. of Operations	Increasing Side Load →				
	Grade C	Grade H	Grade M	Grade S	Grade X
Grade B	Grade G	Grade L	Grade R	Grade W	
Grade A	Grade F				

DIGIT 3: DOOR MASS AND CLOSING FORCE

Nine grades are identified with maximum figures for closing force at various door masses as shown. Note: closing force is from a standing start: i.e. fully extended latch bolt in contact with striking plate at start of test.

Closing Force (max)	Door Mass		
	Up to 100 Kgs	Up to 200 Kgs	Above 200 Kgs
15N	Grade 7	Grade 8	Grade 9
25N	Grade 4	Grade 5	Grade 6
50N	Grade 1	Grade 2	Grade 3

DIGIT 4: FIRE RESISTANCE

Grade 0: Not approved for use on fire/smoke door assemblies.

Grade 1: Suitable for use on fire/smoke door assemblies tested to EN 1634-1 etc.

Note 1: A grade 1 classification means only that the lock has been designed for use on fire/smoke control doors; the actual fire performance achieved (e.g. fire integrity of 30 minutes on a partially glazed timber door etc.) will be contained in a separate fire test report.

Note 2: Where a product is intended for fire/smoke door use (i.e. a "1" in box 4), it must be possible to demonstrate compliance with the Essential Requirements of the Construction Products Regulations. It is recommended that the product should bear the CE mark.

DIGIT 5: SAFETY

No requirement, but note: a lock or latch conforming to this standard can, at the same time, also be part of an exit device conforming to EN 179 or EN 1125.

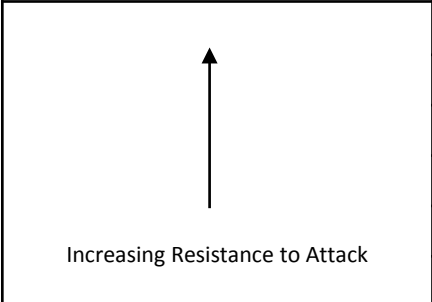
DIGIT 6: CORROSION RESISTANCE

Eight grades are identified with neutral salt-spray (NSS) corrosion resistance grades from EN 1670:1998, with and without temperature resistance as shown:

Corrosion Resistance (NSS)	Temperature Resistance	
	No Requirement	-20°C to +80°C
240 Hours	Grade D	Grade G
96 Hours	Grade C	Grade F
48 Hours	Grade B	Grade E
24 Hours	Grade A	
No Requirement	Grade 0	

DIGIT 7: SECURITY AND DRILL RESISTANCE

Seven grades are identified with minimum figures for requirements relating to physical attack, with or without drilling of the lockcase, as shown:

	No Drilling Requirement	Drilling Requirement
	Grade 6	Grade 7
	Grade 4	Grade 5
	Grade 3	
	Grade 2	
	Grade 1	

DIGIT 8: FIELD OD DOOR APPLICATION

Fifteen grades are identified for differing applications – hinged or sliding doors with rim or mortise locks with either keyless egress from inside or key locking from both sides. The grading determines which application is appropriate. In addition, there is a requirement that lock/latch should not be removable from outside or, for grades K to R, from inside using “standard” tools. Grades H and P require support for the lockcase when installed.

DIGIT 9: TYPE OF KEY OPERATION AND LOCKING

Nine grades are identified for differing types of key operation. The grading determines how the lock is assessed for deadlocking requirement as shown. In addition, there is a maximum key torque operating requirement of 1.5 Nm and a minimum key strength requirement of 2.5 Nm:

- Grade 0:** Not applicable.
- Grade A:** Cylinder lock or latch; manually locking.
- Grade B:** Cylinder lock or latch; automatically locking.
- Grade C:** Cylinder lock or latch; manually locking with intermediate locking.

- Grade D:** Lever lock or latch; manually locking.
- Grade E:** Lever lock or latch; automatically locking.
- Grade F:** Lever lock or latch; manually locking with intermediate locking.
- Grade G:** Lock or latch without key operation; manually locking.
- Grade H:** Lock without key operation; automatically locking.

DIGIT 10: TYPE OF SPINDLE OPERATION

Five grades are identified:

- Grade 0:** Lock without follower.
- Grade A:** Lock with sprung lever or knob.
- Grade B:** Lock with light unsprung lever.
- Grade C:** Lock with heavy unsprung lever.
- Grade D:** Lock with manufacturer’s own specification furniture

DIGIT 11: KEY IDENTIFICATION

Nine grades are identified relating to the number of differs and levers.
Grade 0 relates to a latch with no locking action:

	No of Differs →								
	↑ No of Levers								
					Grade F			Grade G	
				Grade D			Grade E		
			Grade B			Grade C			
		Grade A							
Grade 0									

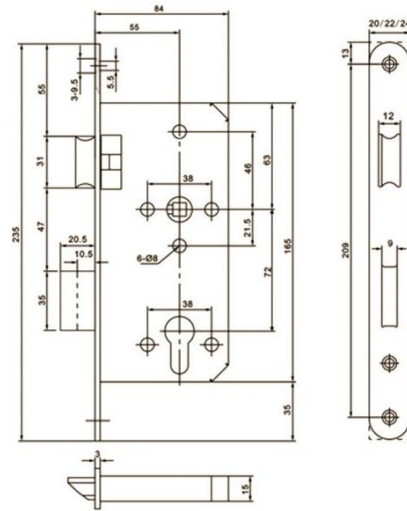
EXAMPLE:



The above indicates a mechanically operated lock and locking plate intended for use in situations where there is an incentive to exercise care; that will withstand a durability of 200,000 cycles with a 10N side load on the latch bolt on a door of up to 200 kg in mass; that will close with a maximum force of 25N; that is suitable for use on a fire/smoke resisting door; that has no safety requirement; that has moderate corrosion resistance over a temperature range of -20°C to +80°C; that has high security and drill resistance; that is a lever mortise lock with manual locking; that is suitable for unsprung furniture; and that has five detaining elements with a minimum of 10,000 differs.

CE MARK:

Mechanically operated locks and latches intended for use on fire/smoke control doors within the European Economic Area are covered by a Construction Products Directive mandate issued by the European Commission. Consequently, this standard is regarded as “harmonised” and compliance with it, supported by suitable evidence, allows for the application of the CE mark.



FEATURES:

- Tested According to BS EN 12209:2003/AC:2005
- Fire tested to EN 1634-1:2014
- Reversible and suitable for wooden or steel doors application
- SS Grade 304 deadbolt, latch, forend, follower & strike plate
- Optional for non rebated doors
- Suitable for external fire and smoke protection doors
- Prepared for Euro Profile Cylinders
- With key action and two-turn deadbolt
- Supplied with strike plate, pocket an fixing screws
- Other sizes available upon special request
- Other finishing available upon special request

Classification Code

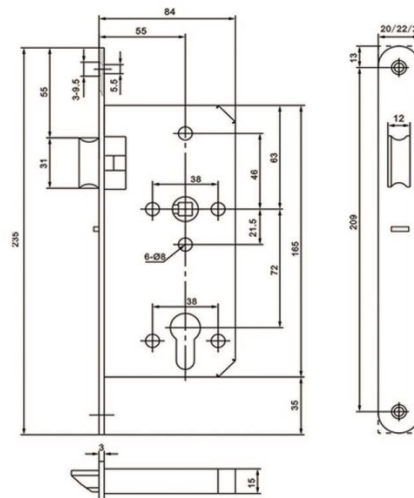
3 X 9 1 0 G 3 B C 2 0



Finishes:

- PSS - Polished Stainless Steel
- SSS - Satin Stainless Steel
- PVD

Item Code	Backset	Center to Center Distance
11.2572.ZF	25 mm	72 mm
11.3572.ZF	35 mm	72 mm
11.4072.ZF	40 mm	72 mm
11.4572.ZF	45 mm	72 mm
11.5072.ZF	50 mm	72 mm
11.5572.ZF	55 mm	72 mm
11.6072.ZF	60 mm	72 mm
11.6572.ZF	65 mm	72 mm
11.2585.ZF	25 mm	85 mm
11.3585.ZF	35 mm	85 mm
11.4585.ZF	45 mm	85 mm
11.5085.ZF	50 mm	85 mm
11.6085.ZF	60 mm	85 mm



FEATURES:

- Tested According to BS EN 12209:2003/AC:2005
- Fire tested to EN 1634-1:2014
- Reversible and suitable for wooden or steel doors application
- SS Grade 304 latch, forend, follower & strike plate
- Optional for non rebated doors
- Suitable for external fire and smoke protection doors
- Supplied with strike plate, pocket an fixing screws
- Other sizes available upon special request

Classification Code										
3	X	9	1	0	G	2	B	B	2	0



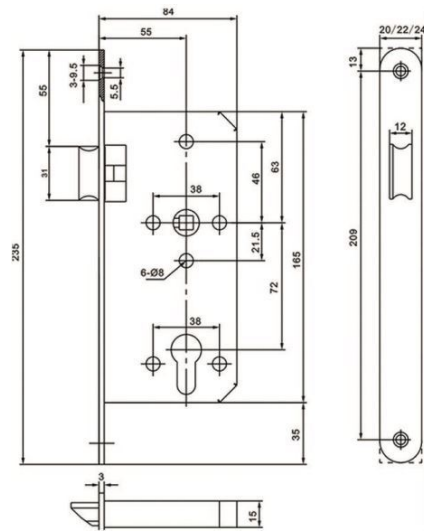
- Finishes:**
-  PSS - Polished Stainless Steel
 -  SSS - Satin Stainless Steel
 -  PVD



Item Code	Backset	Center to Center Distance
11.4572.ZNF	45 mm	72 mm
11.5072.ZNF	50 mm	72 mm
11.5572.ZNF	55 mm	72 mm
11.6072.ZNF	60 mm	72 mm
11.6572.ZNF	65 mm	72 mm

Mortise Lock

1100 Series Lock






FEATURES:

- Tested According to BS EN 12209:2003/AC:2005
- Fire tested to EN 1634-1:2014
- Suitable for doors where single action of escape is required.
- Reversible and suitable for wooden or steel doors application
- SS Grade 304 latch, forend, follower & strike plate
- Optional for non rebated doors
- Suitable for external fire and smoke protection doors
- With key action latch bolt
- Supplied with strike plate, pocket an fixing screws
- Other sizes available upon special request

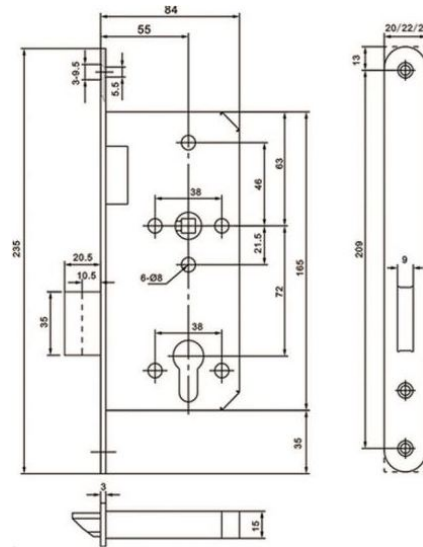
Classification Code										
3	X	9	1	0	G	-	B	0	2	0



- Finishes:**
-  PSS - Polished Stainless Steel
 -  SSS - Satin Stainless Steel
 -  PVD



Item Code	Backset	Center to Center Distance
11.4572.ZLF	45 mm	72 mm
11.5072.ZLF	50 mm	72 mm
11.5572.ZLF	55 mm	72 mm
11.6072.ZLF	60 mm	72 mm
11.6572.ZLF	65 mm	72 mm



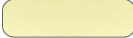


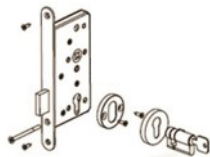
FEATURES:

- Tested According to BS EN 12209:2003/AC:2005
- Fire tested to EN 1634-1:2014
- Suitable for doors where single action of escape is required.
- Reversible and suitable for wooden or steel doors application
- SS Grade 304 deadbolt, forend, follower & strike plate
- Optional for non rebated doors
- Suitable for external fire and smoke protection doors
- Prepared for Euro Profile Cylinders
- With key action and two-turn deadbolt
- Supplied with strike plate, pocket an fixing screws
- Other sizes available upon special request

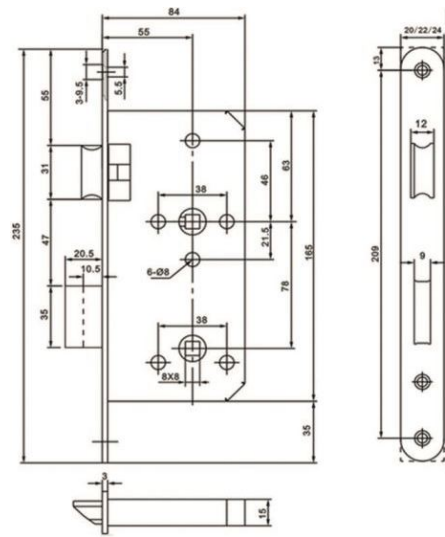
Classification Code										
3	X	9	1	0	G	3	B	C	0	0



- Finishes:**
-  PSS - Polished Stainless Steel
 -  SSS - Satin Stainless Steel
 -  PVD



Item Code	Backset	Center to Center Distance
11.4572.ZDF	45 mm	72 mm
11.5072.ZDF	50 mm	72 mm
11.5572.ZDF	55 mm	72 mm
11.6072.ZDF	60 mm	72 mm
11.6572.ZDF	65 mm	72 mm






FEATURES:

- Tested According to BS EN 12209:2003/AC:2005
- Fire tested to EN 1634-1:2014
- Reversible and suitable for wooden or steel doors application
- SS Grade 304 deadbolt, forend, follower & strike plate
- Suitable for external fire and smoke protection doors
- Two-turn deadbolt
- Supplied with strike plate, pocket an fixing screws
- Other sizes available upon special request

Classification Code

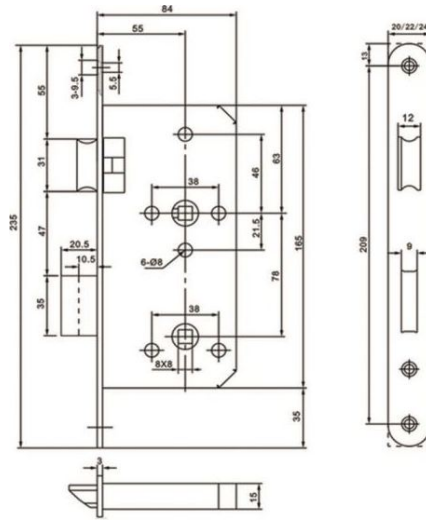
3 X 9 1 0 G - B 0 2 0



- Finishes:**
-  PSS - Polished Stainless Steel
 -  SSS - Satin Stainless Steel
 -  PVD






Item Code	Backset	Center to Center Distance
11.4578.ZWCF	45 mm	78 mm
11.5078.ZWCF	50 mm	78 mm
11.5578.ZWCF	55 mm	78 mm
11.6078.ZWCF	60 mm	78 mm
11.6578.ZWCF	65 mm	78 mm



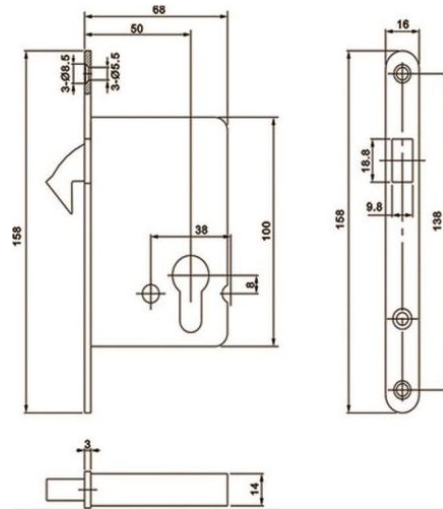
FEATURES:

- Tested According to BS EN 12209 / DIN 18.251
- SS Grade 304 deadbolt, roller, forend & strike plate
- Two-turn deadbolt
- Supplied with strike plate, pocket an fixing screws
- Other sizes available upon special request



- Finishes:**
-  PSS - Polished Stainless Steel
 -  SSS - Satin Stainless Steel
 -  PVD




Item Code	Backset	Center to Center Distance
11.2572.ZR	25 mm	72 mm
11.3572.ZR	35 mm	72 mm
11.4572.ZR	45 mm	72 mm
11.5072.ZR	50 mm	72 mm
11.5572.ZR	55 mm	72 mm
11.6072.ZR	60 mm	72 mm
11.6572.ZR	65 mm	72 mm
11.2585.ZR	25 mm	85 mm
11.3585.ZR	35 mm	85 mm
11.4585.ZR	45 mm	85 mm
11.5085.ZR	50 mm	85 mm
11.6085.ZR	60 mm	85 mm



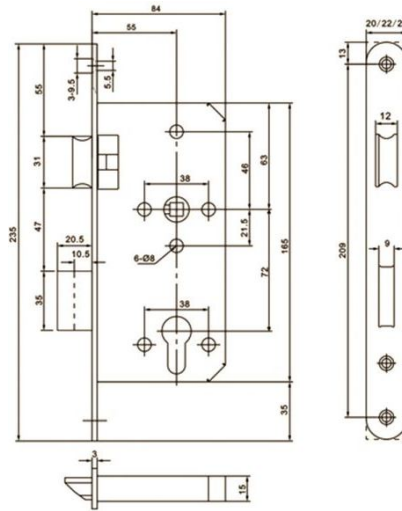
FEATURES:

- Tested According to BS EN 12209 / DIN 18.251
- SS Grade 304 hook, forend & strike plate
- Supplied with strike plate, pocket an fixing screws
- Other sizes available upon special request



- Finishes:**
-  PSS - Polished Stainless Steel
 -  SSS - Satin Stainless Steel
 -  PVD




Item Code	Backset	Center to Center Distance
11.40.ZSH	40 mm	
11.45.ZSH	45 mm	
11.50.ZSH	50 mm	
11.60.ZSH	60 mm	



FEATURES:

- Tested According to BS EN 12209:2003/AC:2005
- Reversible and suitable for wooden or steel doors application
- SS Grade 304 deadbolt, latch, forend, follower & strike plate
- Optional for non rebated doors
- Prepared for Euro Profile Cylinders
- With key action and two-turn deadbolt
- Supplied with strike plate, pocket an fixing screws
- Other sizes available upon special request



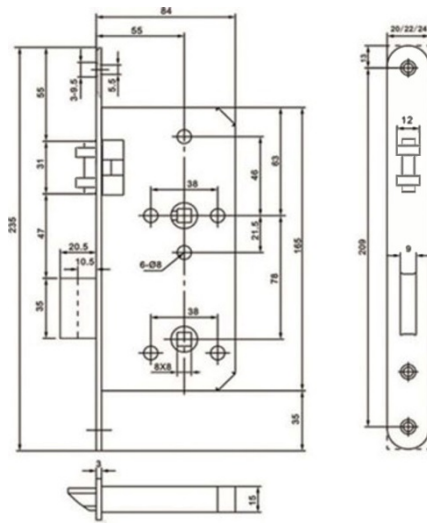
- Finishes:**
-  PSS - Polished Stainless Steel
 -  SSS - Satin Stainless Steel
 -  PVD



Item Code	Backset	Center to Center Distance
10.2572.ZF	25 mm	72 mm
10.3572.ZF	35 mm	72 mm
10.4072.ZF	40 mm	72 mm
10.4572.ZF	45 mm	72 mm
10.5072.ZF	50 mm	72 mm
10.5572.ZF	55 mm	72 mm
10.6072.ZF	60 mm	72 mm
10.6572.ZF	65 mm	72 mm
10.2585.ZF	25 mm	85 mm
10.3585.zf	35 mm	85 mm
10.4585.ZF	45 mm	85 mm
10.5085.ZF	50 mm	85 mm
10.6085.ZF	60 mm	85 mm

Mortise Lock




1000 Series Lock



FEATURES:

- Tested According to BS EN 12209 / DIN 18.251
- SS Grade 304 deadbolt, roller, forend, & strike plate
- Two-turn deadbolt
- Supplied with strike plate, pocket an fixing screws
- Other sizes available upon special request



- Finishes:**
-  PSS - Polished Stainless Steel
 -  SSS - Satin Stainless Steel
 -  PVD



Item Code	Backset	Center to Center Distance
10.4572.ZR	45 mm	72 mm
10.5072.ZR	50 mm	72 mm
10.5572.ZR	55 mm	72 mm
10.6072.ZR	60 mm	72 mm
10.6572.ZR	65 mm	72 mm
10.4585.ZR	45 mm	85 mm
10.5085.ZR	50 mm	85 mm
10.6085.ZR	60 mm	85 mm



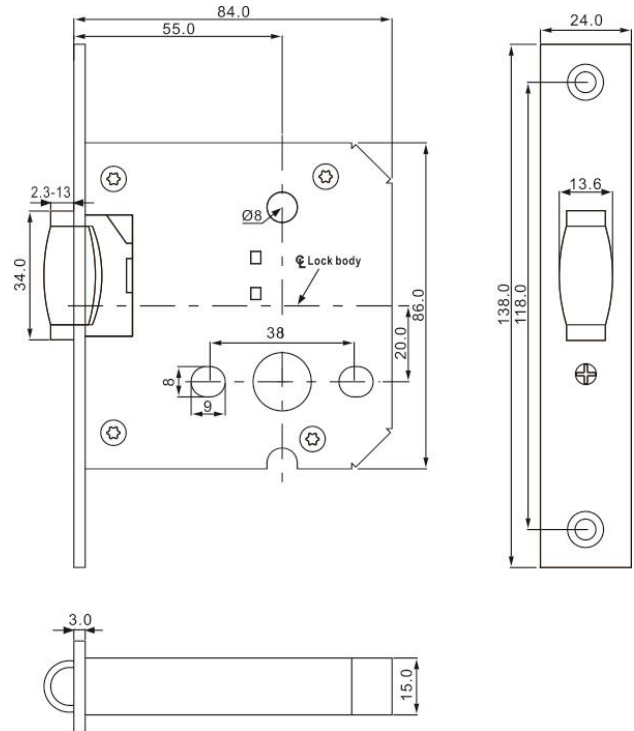
FEATURES:

- European style casing with 85mm centres
- which accommodates most euro profile cylinders
- Key and handle operation from both sides of the door
- Double throw deadbolt gives 20mm projection when key is turned twice
- Pierced to accept bolt through furniture
- Supplied with fixing screws
- Forend can be cut to match door height
- Case Size: 80mm
- Backset: 50mm
- Case: Galvanised steel, powder coated
- Outer Forend: Steel enamel finish
- Striking Plate: Steel enamel finish
- Deadbolt: Hardened steel
- Latch Bolt: Zamac, chrome plated
- Follower: Zinc, 8mm
- Other sizes available upon special request



- Finishes:**
-  PSS - Polished Stainless Steel
 -  SSS - Satin Stainless Steel
 -  PVD

Item Code	Description
V-892080BSUKPB	3 Point Multi Point Lock w/flush bolt - Brass (Long Distance)
V-892080BSUKNP	3 Point Multi Point Lock w/flush bolt - Nickel (Long Distance)
V-892280BSUKPB	3 Point Multi Point Lock - Brass (Long Distance)
V-892280BUKNP	3 Point Multi Point Lock - Nickel (Long Distance)
V-892380BSUKPB	3 Point Multi Point Lock - Brass (Short Distance)
V-892380BSUKNP	3 Point Multi Point Lock - Nickel (Short Distance)



FEATURES:

- Tested According to BS EN 12209 / DIN 18.251
- SS Grade 304 roller, forend, & strike plate
- Supplied with strike plate, pocket and fixing screws
- Other sizes available upon special request



Finishes:



PSS - Polished Stainless Steel



SSS - Satin Stainless Steel



PVD

Item Code	Backset
10.45.ZR	45 mm
10.50.ZR	50 mm
10.55.ZR	55 mm

EURO PROFILE CYLINDER

VOSET offers a wide range of cylinder locks that ensures maximum durability, performance and security which are ideal in residential and commercial applications.

VOSET cylinder locks are available in various sizes and can be incorporated in any of our available keying systems.



BS EN 1303: 2005 – CYLINDER LOCKS

BS EN 1303: 2005 classifies cylinders for locks using an 8 digit coding system. Each digit refers to a particular feature of the product measured against the standard's performance requirements.

DIGIT 1: CATEGORY OF USE

One category is identified:

Grade 1: Keys shall resist a torque of 2.5Nm and still be usable.

DIGIT 2: DURABILITY

Three grades are identified according to the number of test cycles achieved:

Grade 4: 25,000 test cycles.

Grade 5: 50,000 test cycles.

Grade 6: 100,000 test cycles.

DIGIT 3: DOOR MASS

No requirement.

DIGIT 4: FIRE RESISTANCE

Two grades are identified as follows:

Grade 0: Not suitable for fire/smoke resistant door assemblies

Grade 1: Suitable for fire/smoke resistant door assemblies subject to satisfactory assessment of the contribution of the cylinder to the fire resistance of the specified fire/smoke door assemblies.

DIGIT 5: SAFETY

No requirement.

DIGIT 6: CORROSION AND TEMPERATURE RESISTANCE

Four grades are identified as follows:

Grade 0: No corrosion or temperature resistance requirements

Grade A: BS EN 1670 Grade 3 corrosion resistance (96 hours NSS): no temperature resistance requirement

Grade B: No corrosion resistance requirement: resistance to -20/+80°C temperature extremes

Grade C: BS EN 1670 Grade 3 corrosion resistance: resistance to -20/+80°C temperature extremes

Note 1: No distinction is made between the inside and the outside of either the cylinder and/or the door.

Note 2: On completion of the test, the cylinder must operate using a maximum 1.5 Nm torque on the key.

DIGIT 7: KEY RELATED SECURITY

Six grades are identified and the principal requirements are summarized below:

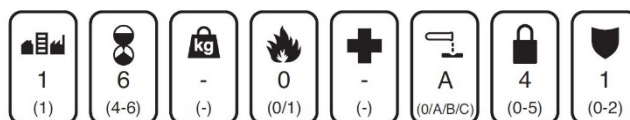
	Grade					
	1	2	3	4	5	6
Min. number of effective differs	100	300	15000	30000	30000	100000
Min. number of movable levers, pins, discs, etc.	2	3	5	5	6	6
Coding on key could disclose combination	Yes	Yes	No	No	No	No
Torque Resistance of Plug	2.5 Nm	5 Nm	15 Nm	15 Nm	15 Nm	15 Nm

DIGIT 8: ATTACK RESISTANCE

Three grades are identified and the principal requirements are summarized below:

	Grade		
	0	1	2
Resistance to Drilling (net drilling time)	-	3 Mins	5 Mins
Resistance to Chisel Attack (no. of define blows)	-	30	40
Resistance to Twisting Attack (no. of define twists)	-	20	30
Resistance to Plug/Cylinder Extraction (pull load)	-	15 kN	15 kN
Torque Resistance of Plug/Cylinder	-	20 Nm	30 Nm

EXAMPLE



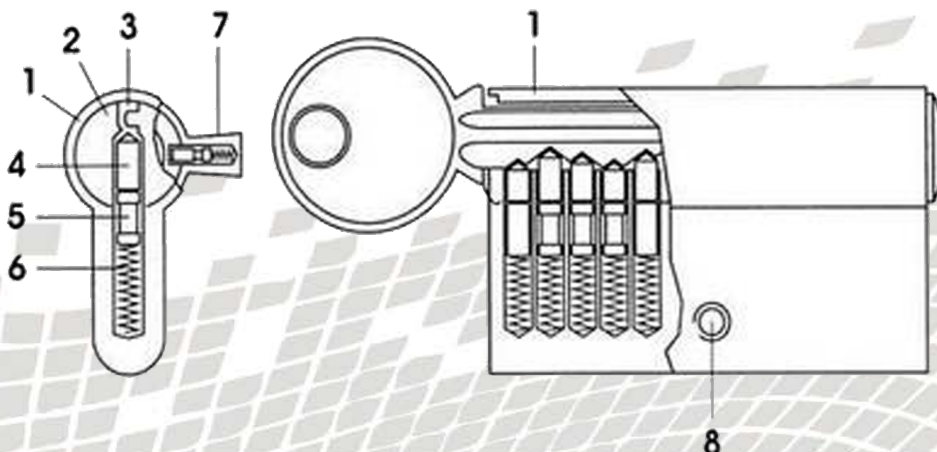
The above marking denotes a cylinder meeting the required category of use Grade 1, durability Grade 6 (100 000 cycles), no requirement for door mass, no fire resistance or safety in use requirement, having Grade A corrosion resistance, Grade 4 key related security and Grade 1 attack resistance.

CE MARK

BS EN 1303 has not been designated as a harmonised product standard under the Construction Products Directive and therefore CE marking of cylinders to this standard is NOT permitted.

PARTS OF CYLINDER LOCK

1. Cylinder Casting
2. Cylinder Core
3. Keyway
4. Core Pin
5. Driver Pin
6. Pin Spring
7. Tail Piece
8. Threaded Bore Hole



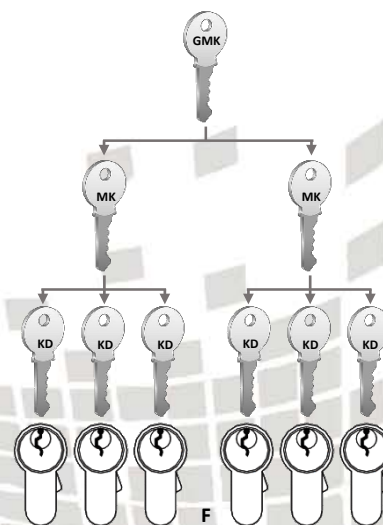
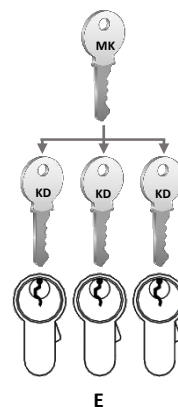
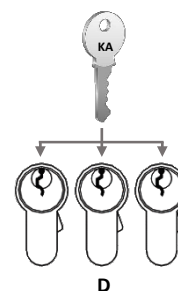
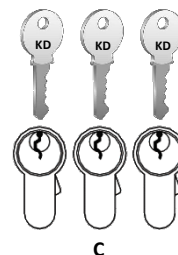
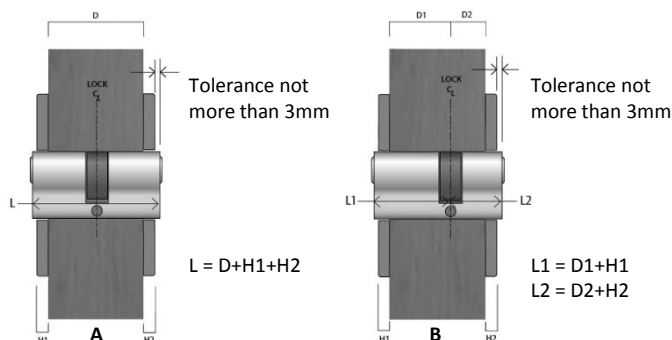
SELECTING CYLINDER LENGTH

There are two reasons for carefully selecting cylinder lengths:

1. To limit the amount of cylinder projecting from the face of the door which can be susceptible to attack
2. For aesthetic reasons and to avoid the risk of hitting the cylinder with the hand when using lever handles

Factors to consider in choosing the correct cylinder length:

- Door thickness
- Hardware thickness
- Lock mounting position
 - Lock fitted on the center line (A)
 - Lock fitted off center (B)



KEYING SYSTEM

Voset offer a number of different keying arrangements to ensure your system is tailored to your requirements.

Individually Keyed (KD)

With an individually keyed system, each cylinder can be operated by its own unique individual key. (C)

Keyed Alike (KA)

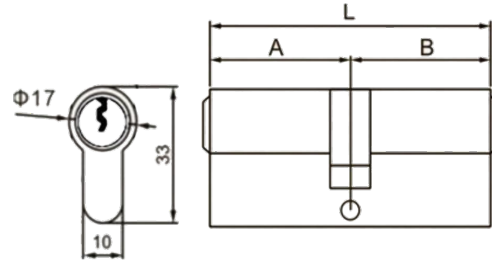
This system allows a number of cylinders to be operated by one key. It is ideally suited to residential and commercial applications where minimal key control is required. (D)

Master Keyed (MK)

In a master key system, each cylinder is operated by its own unique individual key and can also be operated by one special key known as the master key. Keyed Alike and Common Entrance system can be incorporated into any master key system. (E)

Grand Master Keyed (GMK)





This is an extension of the master-keyed system where each lock has its own individual key and the locks are divided into 2 or more groups. Each lock group is operated by a master-key and the entire system is operated by one grand master-key. This is ideally utilized in complex commercial systems. (F)



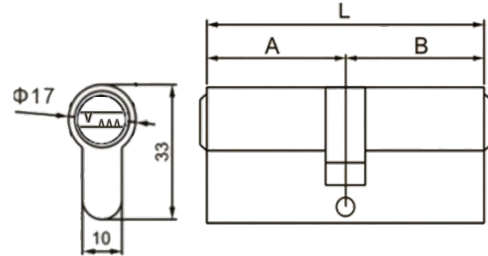
FEATURES:

- Tested According to BS EN 1303: 2005
- Solid brass housing with high quality brass pins
- Anti drilling and anti pulling protection available
- Suitable for key alike / master key system
- Supplied with three 2.2mm brass keys with Satin Nickel finish



- Finishes:**
-  AB - Antique Brass
 -  PB - Polished Brass
 -  CP - Chrome Plated
 -  SC - Satin Chrome
 -  SN - Satin Nickel

Item Code	Size (mm)			No of Pins
	A	B	L	
VCL1605	30	30	60	5
VCL1606	30	30	60	6
VCL1705	35	35	70	5
VCL1706	35	35	70	6
VCL1805	40	40	80	5
VCL1806	40	40	80	6
VCL1905	45	45	90	5
VCL1906	45	45	90	6



FEATURES:

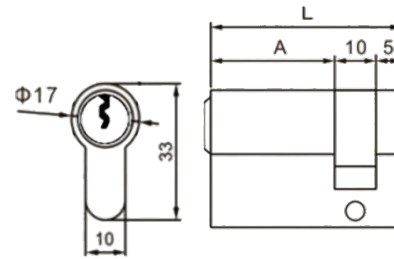
- Tested According to BS EN 1303: 2005
- Solid brass housing with high quality brass pins
- Anti drilling and anti pulling protection available
- Suitable for key alike / master key system
- Supplied with five 2.2mm brass keys with Satin Nickel finish



Finishes:

-  AB - Antique Brass
-  PB - Polished Brass
-  CP - Chrome Plated
-  SC - Satin Chrome
-  SN - Satin Nickel






Item Code	Size (mm)			No of Pins
	A	B	L	
VCL2605	30	30	60	5
VCL2606	30	30	60	6
VCL2705	35	35	70	5
VCL2706	35	35	70	6
VCL2805	40	40	80	5
VCL2806	40	40	80	6



FEATURES:

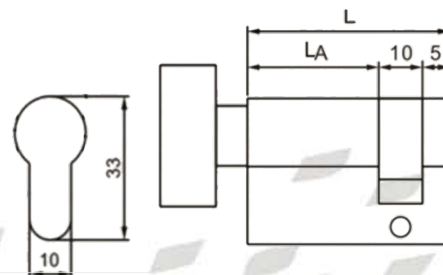
- Tested According to BS EN 1303: 2005
- Solid brass housing with high quality brass pins
- Anti drilling and anti pulling protection available
- Suitable for key alike / master key system
- Supplied with three 2.2mm brass keys with Satin Nickel finish



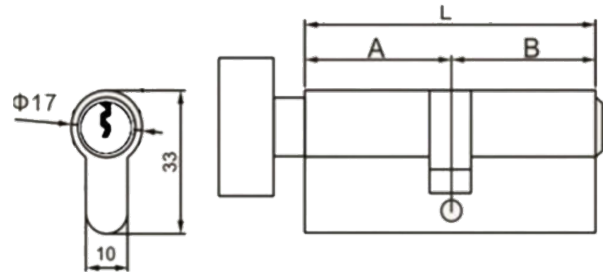
- Finishes:**
-  AB - Antique Brass
 -  PB - Polished Brass
 -  CP - Chrome Plated
 -  SC - Satin Chrome
 -  SN - Satin Nickel

Item Code	Size (mm)		No of Pins
	A	L	
VCL3455	30	45	5
VCL3456	30	45	6

Half Thumbturn Cylinder



Item Code	Size (mm)		No of Pins
	A	L	
VCLT345N	30	45	-



FEATURES:

- Tested According to BS EN 1303: 2005
- Solid brass housing with high quality brass pins
- Anti drilling and anti pulling protection available
- Supplied with three 2.2mm brass keys with Satin Nickel finish



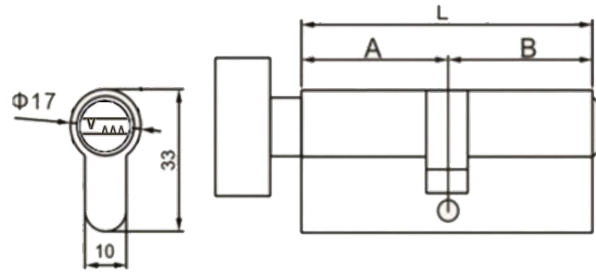
Finishes:

-  AB - Antique Brass
-  PB - Polished Brass
-  CP - Chrome Plated
-  SC - Satin Chrome
-  SN - Satin Nickel

Item Code	Size (mm)			No of Pins
	A	B	L	
VCLT460N	30	30	60	6
VCLT470N	35	35	70	6
VCLT480N	40	40	80	6

Cylinder

Euro Profile Cylinder



FEATURES:

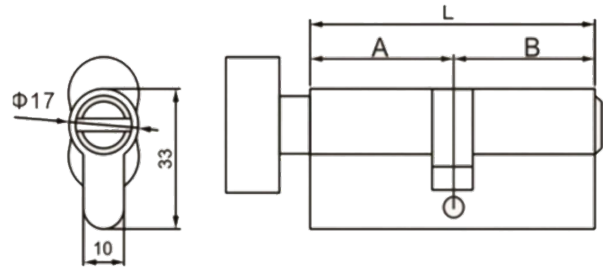
- Tested According to BS EN 1303: 2005
- Solid brass housing with high quality brass pins
- Anti drilling and anti pulling protection available
- Supplied with three 2.2mm brass keys with Satin Nickel finish



Finishes:

-  AB - Antique Brass
-  PB - Polished Brass
-  CP - Chrome Plated
-  SC - Satin Chrome
-  SN - Satin Nickel






Item Code	Size (mm)			No of Pins
	A	B	L	
VCLT560N	30	30	60	6
VCLT570N	35	35	70	6
VCLT580N	40	40	80	6



FEATURES:

- Tested According to BS EN 1303: 2005
- One side knob one side coin turn



- Finishes:**
-  AB - Antique Brass
 -  PB - Polished Brass
 -  CP - Chrome Plated
 -  SC - Satin Chrome
 -  SN - Satin Nickel

Item Code	Size (mm)			No of Pins
	A	B	L	
VCLB460N	30	30	60	-
VCLB470N	35	35	70	-
VCLB480N	40	40	80	-

Cylinder

Euro Profile Cylinder



LEVER HANDLE

VOSET series lever furniture is a wide range of outstanding sprung and unsprung lever handles which are ideal for all projects where design and quality cannot be compromised.

This series offers wide-ranging designs and finishes that will definitely meet your demands.

BS EN 1906 – LEVER HANDLES AND KNOB FURNITURE

The European standard specifies the performance requirements and test methods (i.e. durability, static strength, operating torque, corrosion, safety, etc.) for sprung and unsprung lever handles and knobs for doors on backplates or roses. It applies only to lever handles and knobs that operate a lock or latch. The standard has 4 grades of performance. Compliance with the standard ensures a margin of strength in excess of that needed for normal operation. The standard has additional graded safety requirements where a high risk of falling exists.

BS EN 1906 classifies door furniture by using an 8 digit coding system. A similar classification applies to all building hardware product standards so that complementary items of hardware can be specified to, for instance, a common level of corrosion resistance, category of use, etc. Each digit refers to a particular feature of the product measured against the standard's performance requirements.

DIGIT 1: CATEGORY OF USE

Four grades are identified:

- Grade 1:** Medium frequency of use with a high incentive to exercise care and a small chance of misuse, e.g. internal residential doors.
- Grade 2:** Medium frequency of use by people with some incentive to exercise care but where there is some chance of misuse, e.g. internal office doors.
- Grade 3:** High frequency of use by public or others with little incentive to exercise care and with a high chance of misuse, e.g. public office doors.
- Grade 4:** high frequency of use on doors which are subject to frequent violent use, e.g. football stadiums, Oil rigs, barracks, public toilets, etc.

DIGIT 2: DURABILITY

Two categories of durability are defined:

- Grade 6:** 100,000 cycles.
- Grade 7:** 200,000 cycles.

DIGIT 3: TEST DOOR MASS

No Requirement.

DIGIT 4: FIRE RESISTANCE

Two grades of fire resistance are identified:

- Grade 0:** Not approved for use on fire/smoke door assemblies.
- Grade 1:** Suitable for use on fire/smoke door assemblies.

Note: A Grade 1 classification means only that the furniture has been designed for use on fire/smoke control doors; the actual fire performance achieved (e.g. fire integrity of 30 minutes on a partially glazed timber door etc.) will be contained in a separate fire test report.

DIGIT 5: SAFETY

Two grades of safety are identified:

- Grade 0:** Normal use.
- Grade 1:** Safety application - to qualify for this grade, handles must have high strength handle-to-plate and plate-to-door fixing and/or handle-to-spindle fixing, such that they would withstand a person grabbing in order to prevent falling. It is recommended that only Safety Grade 1 furniture is used at the top of cellar steps or other staircases.

DIGIT 6: CORROSION RESISTANCE

Five grades are identified according to EN 1670:

- Grade 0:** No defined corrosion resistance.
- Grade 1:** Mild resistance - minimum requirement for internal use.
- Grade 2:** Moderate resistance.
- Grade 3:** High resistance - minimum requirement for external use.
- Grade 4:** Very high resistance - recommended for use in exposed marine atmospheres or very polluted industrial environments.

DIGIT 7: SECURITY

Five grades are identified:

- Grade 0:** Not approved for use on burglary resistant doors.
- Grade 1:** Mild burglary resistance.
- Grade 2:** Moderate burglary resistance.
- Grade 3:** High burglary resistance.
- Grade 4:** Extra high burglary resistance.

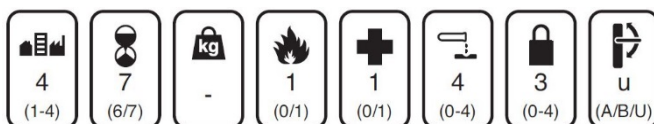
Note: The main requirements include resistance to drilling, close fitting plates or escutcheons to help protect the lock and support the cylinder. They must be resistant to removal from the outside of the door and make provision to minimize the cylinder projection to a maximum of 3mm. Full details of the requirements can be found in BS EN 1906.

DIGIT 8: TYPE OF OPERATION

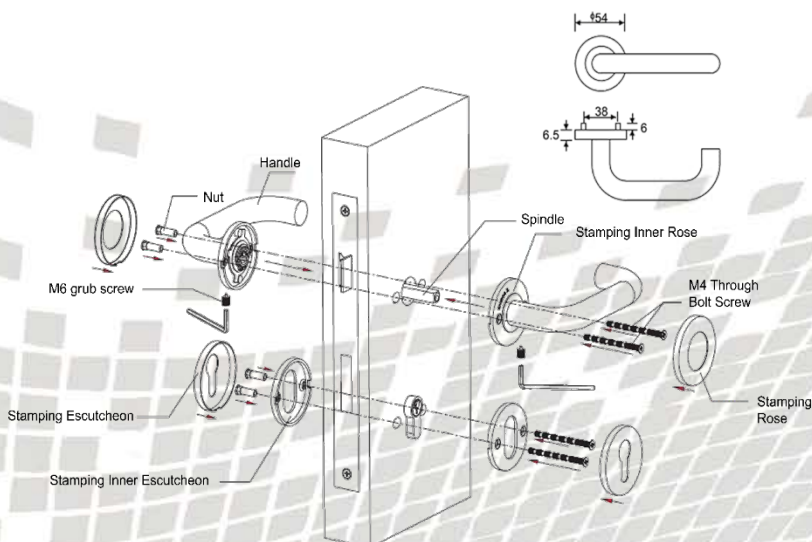
Three operation types are identified:

- Type A:** Spring assisted furniture.
- Type B :** Spring loaded furniture.
- Type C :** Unsprung furniture.

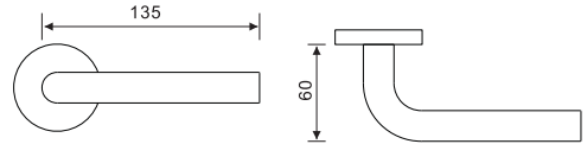
EXAMPLE



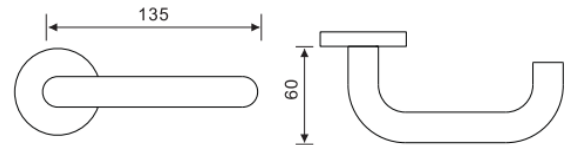
The above marking denotes a lever handle for high frequency use on a door that is also subject to frequent violent usage. There is no classification for door mass, but it is suitable for use on fire/smoke door assemblies, and for where safety is important. It has a very high corrosion resistance suitable for external doors. It has high burglary resistance and is of the unsprung type.



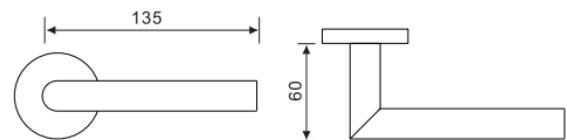
VCH 001



VCH 002




VCH 003



FEATURES:

- Pair of lever handles and roses with escutcheon
- 8 mm spindle included.
- Sprung, for use with standard duty followers
- Stainless Steel Grade 304 and Available in Grade 316 upon special request.

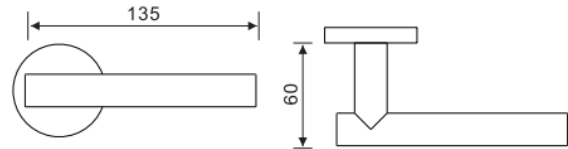
Finishes:  PSS - Polished Stainless Steel
 SSS - Satin Stainless Steel



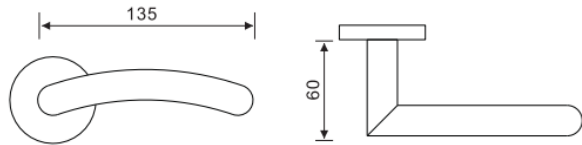
Lever Handle

Commercial Series

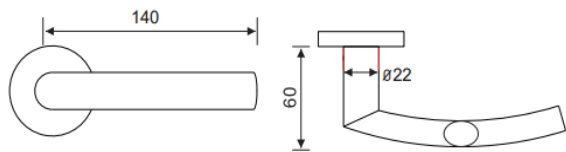
VCH 004



VCH 005



VCH 006



FEATURES:

- Pair of lever handles and roses with escutcheon
- 8 mm spindle included.
- Sprung, for use with standard duty followers
- Stainless Steel Grade 304 and Available in Grade 316 upon special request.

Finishes:



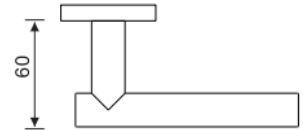
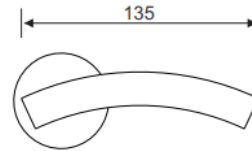
PSS - Polished Stainless Steel



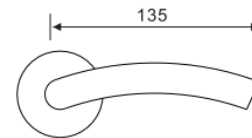
SSS - Satin Stainless Steel



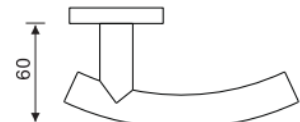
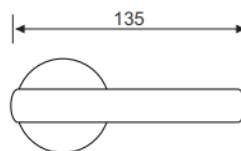
VCH 007



VCH 008



VCH 009



FEATURES:

- Pair of lever handles and roses with escutcheon
- 8 mm spindle included.
- Sprung, for use with standard duty followers
- Stainless Steel Grade 304 and Available in Grade 316 upon special request.

Finishes:



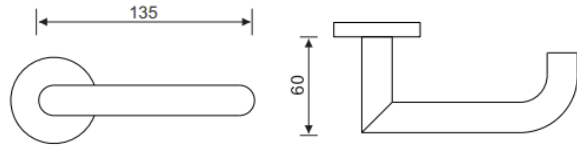
PSS - Polished Stainless Steel



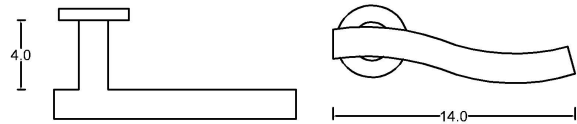
SSS - Satin Stainless Steel



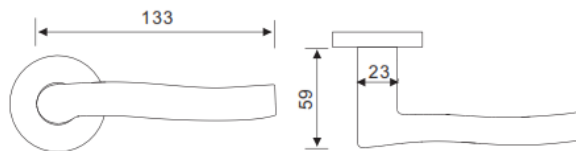
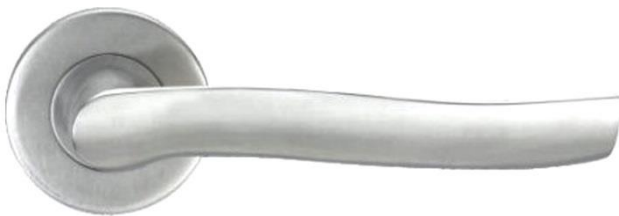
VCH 010



VCH 011



VCH 015



FEATURES:

- Pair of lever handles and roses with escutcheon
- 8 mm spindle included.
- Sprung, for use with standard duty followers
- Stainless Steel Grade 304 and Available in Grade 316 upon special request.
- Other finish available upon request.

Finishes:



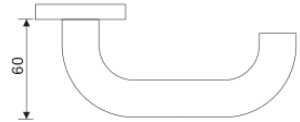
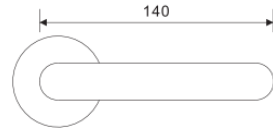
PSS - Polished Stainless Steel



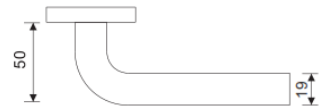
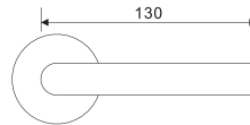
SSS - Satin Stainless Steel



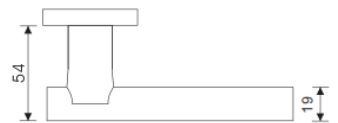
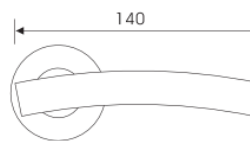
VCH 020



VCH 021



VCH 022



FEATURES:

- Pair of lever handles and roses with escutcheon
- 8 mm spindle included.
- Sprung, for use with standard duty followers
- Stainless Steel Grade 304 and Available in Grade 316 upon special request.

Finishes:



PSS - Polished Stainless Steel



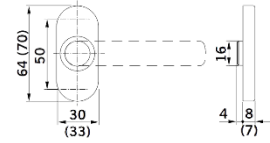
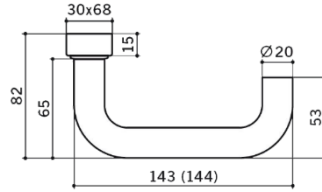
SSS - Satin Stainless Steel



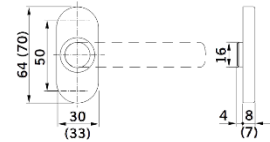
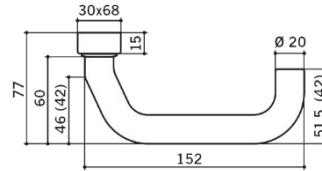
Lever Handle

Commercial Series

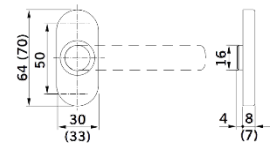
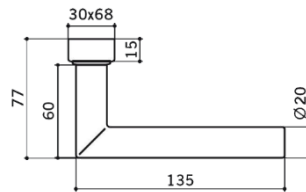
VCH 031



VCH 032



VCH 033



FEATURES:

- Pair of lever handles and roses with escutcheon
- 8 mm spindle included.
- Sprung, for use with standard duty followers
- Stainless Steel Grade 304 and Available in Grade 316 upon special request.

Finishes:



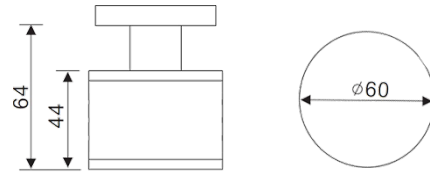
PSS - Polished Stainless Steel



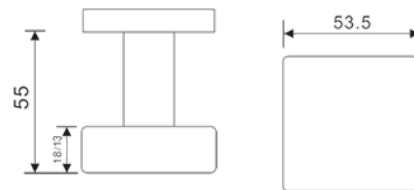
SSS - Satin Stainless Steel



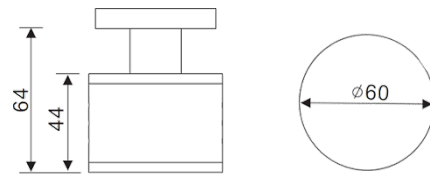
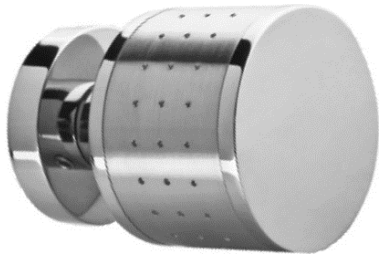
VKH 001



VKH 002



VKH 003



FEATURES:

- Pair of knob handle
- 8 mm spindle included.
- Sprung, for use with standard duty followers
- Stainless Steel Grade 304 and Available in Grade 316 upon special request.
- Available as fixed knob, bolt through fixing.

Finishes:



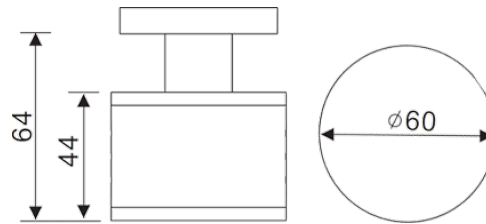
PSS - Polished Stainless Steel



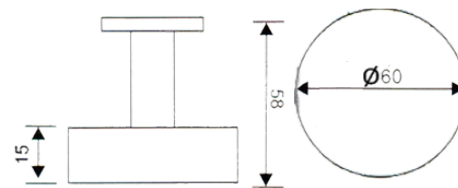
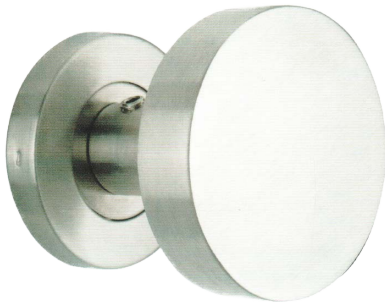
SSS - Satin Stainless Steel



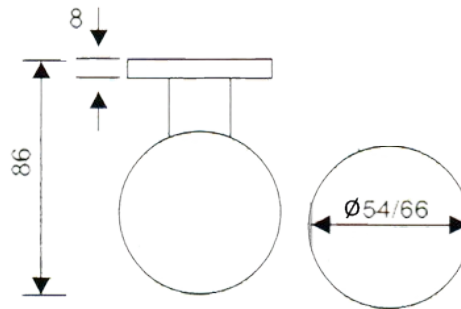
VKH 004



VKH 005



VKH 006



FEATURES:

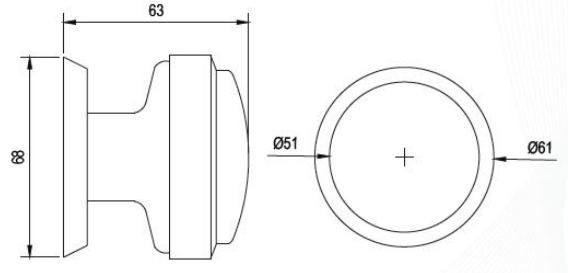
- Pair of knob handle
- 8 mm spindle included.
- Sprung, for use with standard duty followers
- Stainless Steel Grade 304 and Available in Grade 316 upon special request.
- Available as fixed knob, bolt through fixing.

Finishes:

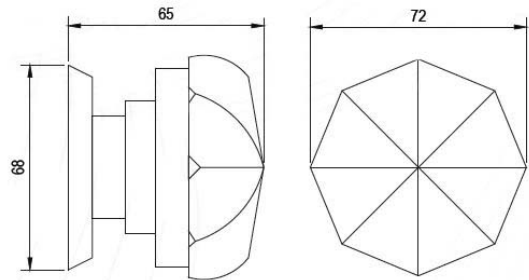
-  PSS - Polished Stainless Steel
-  SSS - Satin Stainless Steel



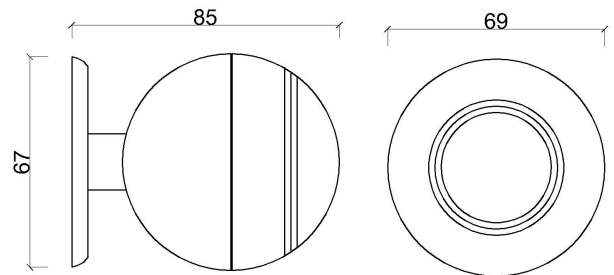
VKH 104



VKH 105







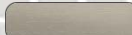
VKH 106



FEATURES:

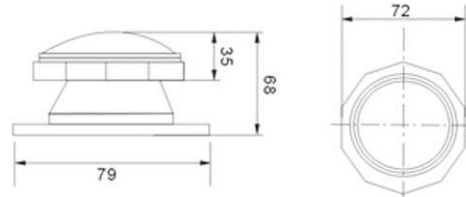
- Pair of knob handle
- 8 mm spindle included.
- Sprung, for use with standard duty followers
- Stainless Steel Grade 304 and Available in Grade 316 upon special request.
- Available as fixed knob, bolt through fixing.

Finishes:

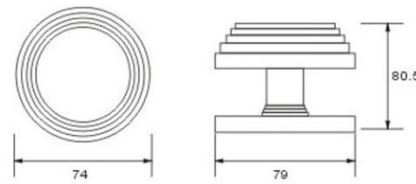
-  PSS - Polished Stainless Steel
-  SSS - Satin Stainless Steel
-  CP - Chrome Plated
-  SC - Satin Chrome
-  SN - Satin Nickel



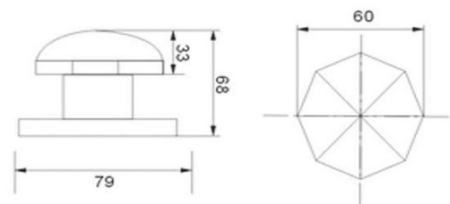
VKH 101



VKH 102



VKH 103



FEATURES:

- Pair of knob handle
- 8 mm spindle included.
- Sprung, for use with standard duty followers
- Stainless Steel Grade 304 and Available in Grade 316 upon special request.
- Available as fixed knob, bolt through fixing.

Finishes:



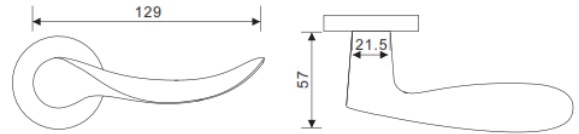
PSS - Polished Stainless Steel



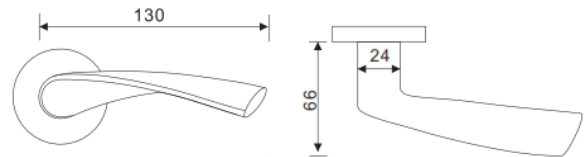
SSS - Satin Stainless Steel



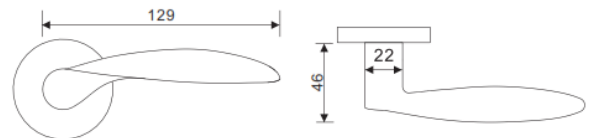
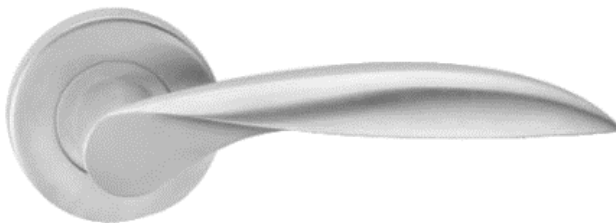
VOH 001



VOH 002





VOH 003



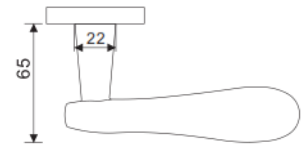
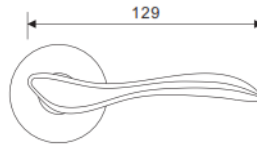
FEATURES:

- Pair of lever handles and roses with escutcheon
- 8 mm spindle included.
- Sprung, for use with standard duty followers
- Stainless Steel Grade 304 and Available in Grade 316 upon special request.

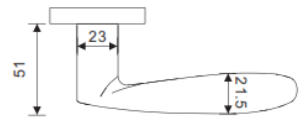
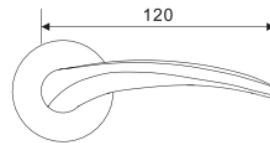
Finishes:  PSS - Polished Stainless Steel
 SSS - Satin Stainless Steel



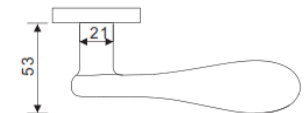
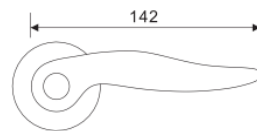
VOH 004



VOH 006



VOH 007



FEATURES:

- Pair of lever handles and roses with escutcheon
- 8 mm spindle included.
- Sprung, for use with standard duty followers
- Stainless Steel Grade 304 and Available in Grade 316 upon special request.

Finishes:



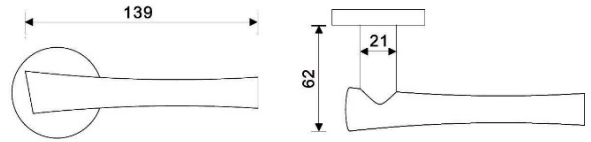
PSS - Polished Stainless Steel



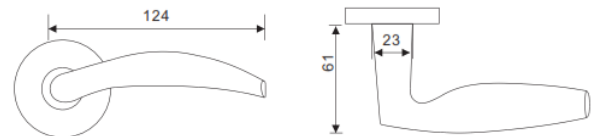
SSS - Satin Stainless Steel



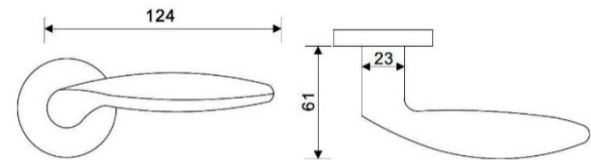
VOH 009



VOH 010




VOH 011



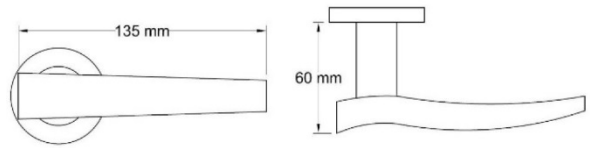
FEATURES:

- Pair of lever handles and roses with escutcheon
- 8 mm spindle included.
- Sprung, for use with standard duty followers
- Stainless Steel Grade 304 and Available in Grade 316 upon special request.

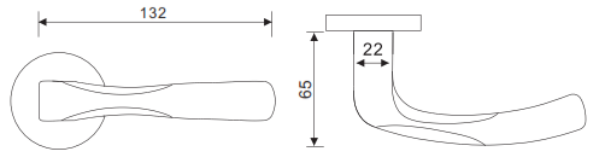
Finishes:  PSS - Polished Stainless Steel
 SSS - Satin Stainless Steel



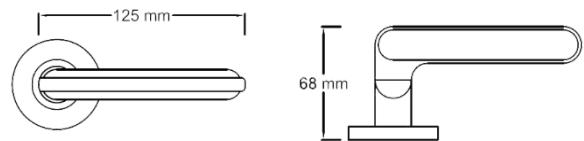
VOH 012



VOH 013



VOH 014



FEATURES:

- Pair of lever handles and roses with escutcheon
- 8 mm spindle included.
- Sprung, for use with standard duty followers
- Stainless Steel Grade 304 and Available in Grade 316 upon special request.

Finishes:



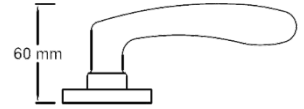
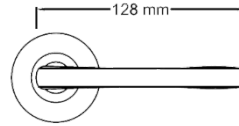
PSS - Polished Stainless Steel



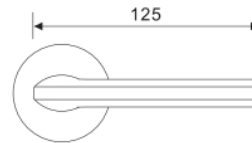
SSS - Satin Stainless Steel



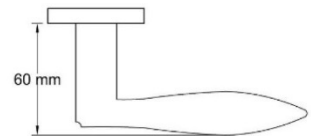
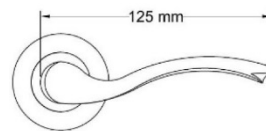
VOH 015



VOH 016



VOH 017



FEATURES:

- Pair of lever handles and roses with escutcheon
- 8 mm spindle included.
- Sprung, for use with standard duty followers
- Stainless Steel Grade 304 and Available in Grade 316 upon special request.

Finishes:



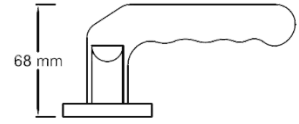
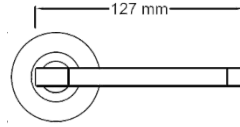
PSS - Polished Stainless Steel



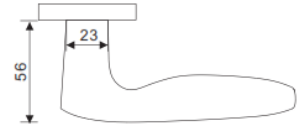
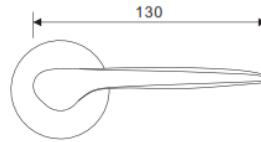
SSS - Satin Stainless Steel



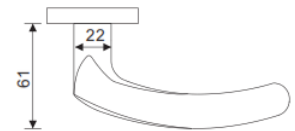
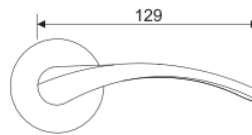
VOH 018



VOH 019



VOH 020



FEATURES:

- Pair of lever handles and roses with escutcheon
- 8 mm spindle included.
- Sprung, for use with standard duty followers
- Stainless Steel Grade 304 and Available in Grade 316 upon special request.

Finishes:



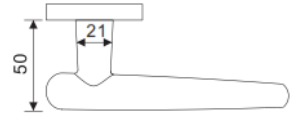
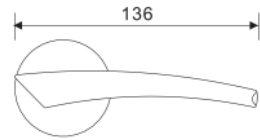
PSS - Polished Stainless Steel



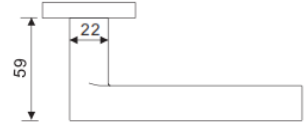
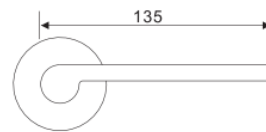
SSS - Satin Stainless Steel



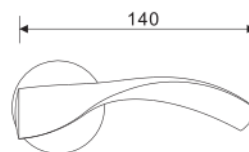
VOH 030



VOH 031



VOH 032



FEATURES:

- Pair of lever handles and roses with escutcheon
- 8 mm spindle included.
- Sprung, for use with standard duty followers
- Stainless Steel Grade 304 and Available in Grade 316 upon special request.

Finishes:



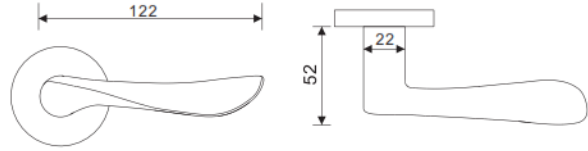
PSS - Polished Stainless Steel



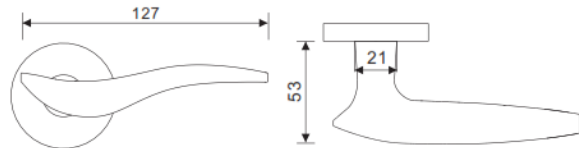
SSS - Satin Stainless Steel



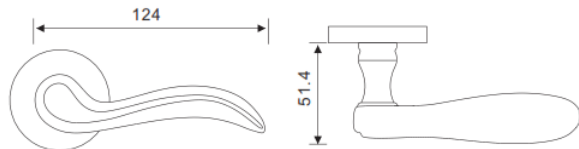
VOH 033



VOH 035



VOH 042



FEATURES:

- Pair of lever handles and roses with escutcheon
- 8 mm spindle included.
- Sprung, for use with standard duty followers
- Stainless Steel Grade 304 and Available in Grade 316 upon special request.

Finishes:



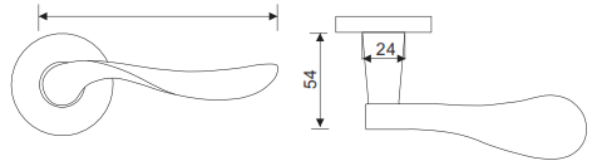
PSS - Polished Stainless Steel



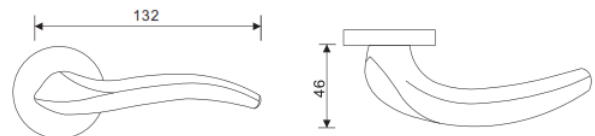
SSS - Satin Stainless Steel



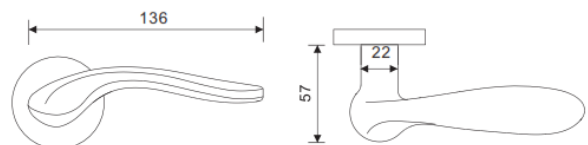
VOH 043



VOH 044




VOH 045



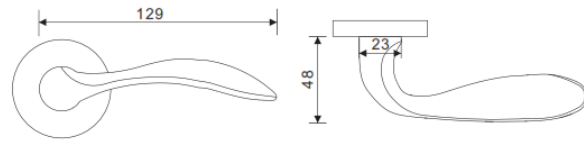
FEATURES:

- Pair of lever handles and roses with escutcheon
- 8 mm spindle included.
- Sprung, for use with standard duty followers
- Stainless Steel Grade 304 and Available in Grade 316 upon special request.

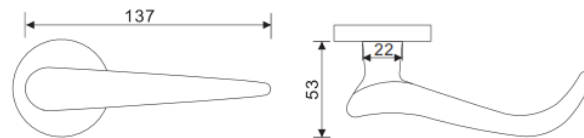
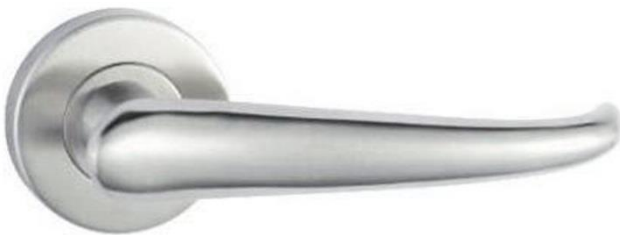
Finishes:  PSS - Polished Stainless Steel
 SSS - Satin Stainless Steel



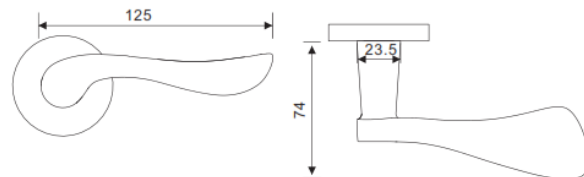
VOH 051



VOH 053



VOH 055



FEATURES:

- Pair of lever handles and roses with escutcheon
- 8 mm spindle included.
- Sprung, for use with standard duty followers
- Stainless Steel Grade 304 and Available in Grade 316 upon special request.
- Other finish available upon request.

Finishes:



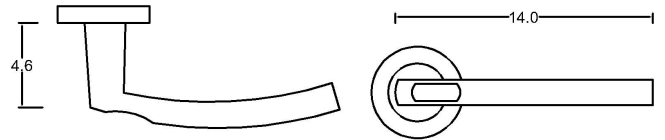
PSS - Polished Stainless Steel



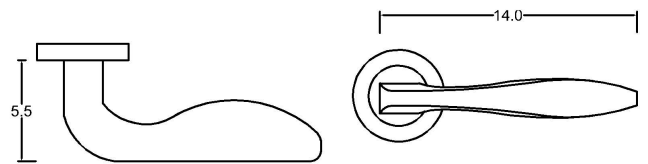
SSS - Satin Stainless Steel



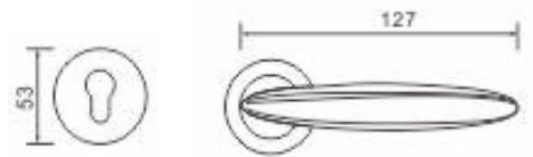
VOH 057



VOH 058



VOH 059



FEATURES:

- Pair of lever handles and roses with escutcheon
- 8 mm spindle included.
- Sprung, for use with standard duty followers
- Stainless Steel Grade 304 and Available in Grade 316 upon special request.
- Other finish available upon request.

Finishes:



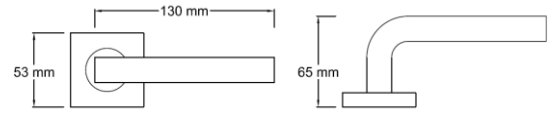
PSS - Polished Stainless Steel



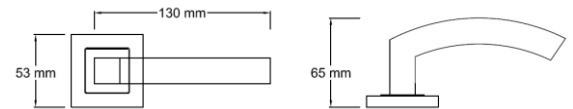
SSS - Satin Stainless Steel



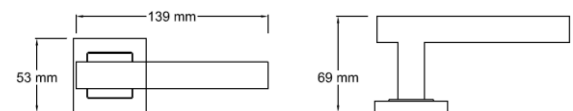
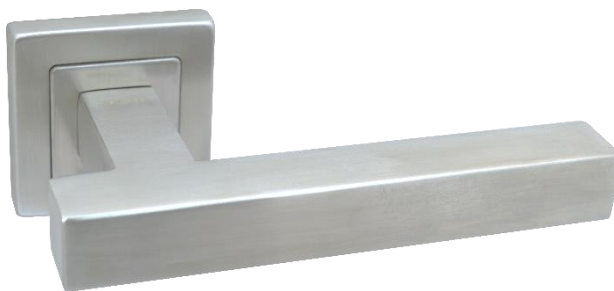
VOH 060



VOH 061



VOH 062



FEATURES:

- Pair of lever handles and roses with escutcheon
- 8 mm spindle included.
- Sprung, for use with standard duty followers
- Stainless Steel Grade 304 and Available in Grade 316 upon special request.
- Other finish available upon request.

Finishes:



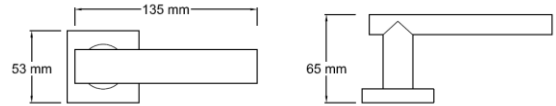
PSS - Polished Stainless Steel



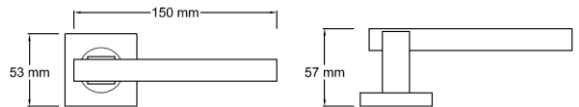
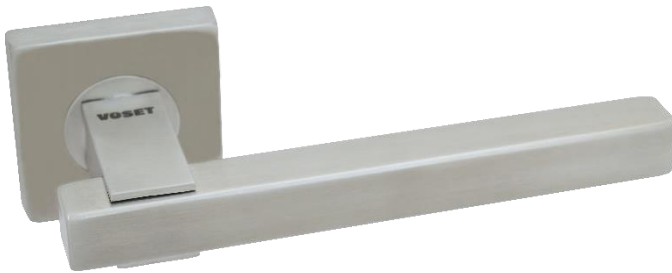
SSS - Satin Stainless Steel



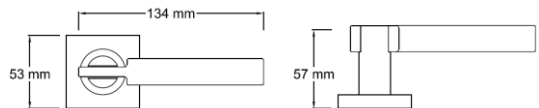
VOH 063



VOH 064



VOH 065



FEATURES:

- Pair of lever handles and roses with escutcheon
- 8 mm spindle included.
- Sprung, for use with standard duty followers
- Stainless Steel Grade 304 and Available in Grade 316 upon special request.
- Other finish available upon request.

Finishes:



PSS - Polished Stainless Steel



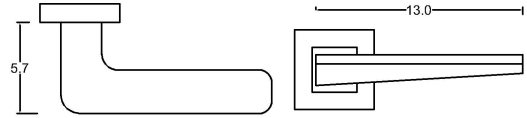
SSS - Satin Stainless Steel



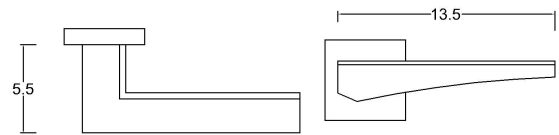
Lever Handle

Oxford Series

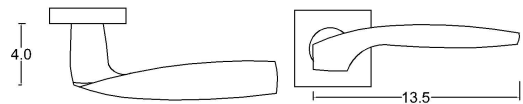
VOH 066



VOH 067



VOH 068



FEATURES:

- Pair of lever handles and roses with escutcheon
- 8 mm spindle included.
- Sprung, for use with standard duty followers
- Stainless Steel Grade 304 and Available in Grade 316 upon special request.
- Other finish available upon request.

Finishes:



PSS - Polished Stainless Steel



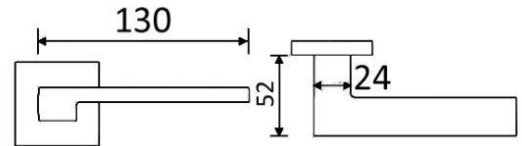
SSS - Satin Stainless Steel



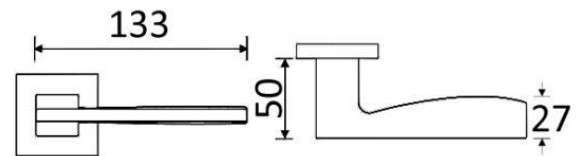
SN/CP- Satin Nickel / Chrome Plated



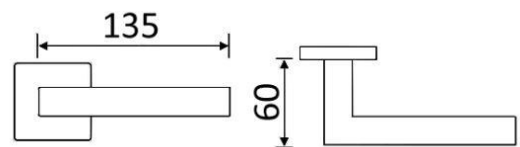
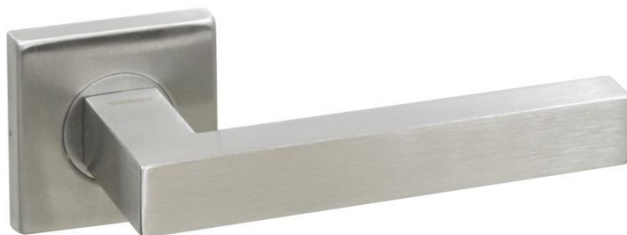
VBH 001



VBH 002



VBH 003



FEATURES:

- Pair of lever handles and roses with escutcheon
- 8 mm spindle included.
- Sprung, for use with standard duty followers
- Stainless Steel Grade 304 and Available in Grade 316 upon special request.
- Other finish available upon request.

Finishes:



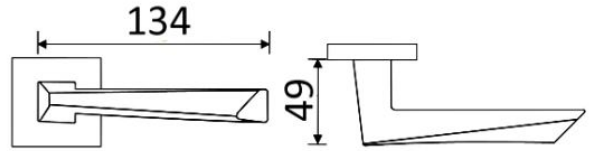
PSS - Polished Stainless Steel



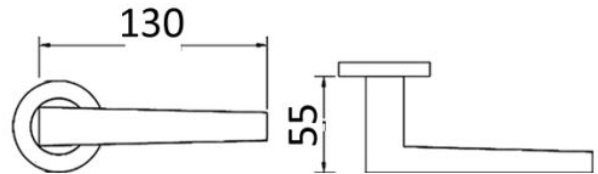
SSS - Satin Stainless Steel



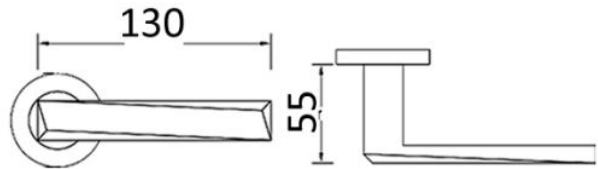
VBH 004



VBH 005



VBH 006



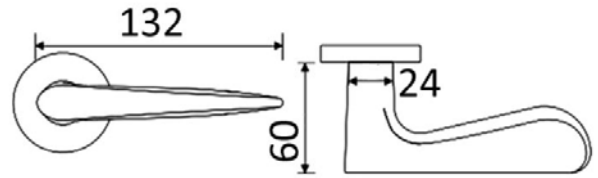
FEATURES:

- Pair of lever handles and roses with escutcheon
- 8 mm spindle included.
- Sprung, for use with standard duty followers
- Stainless Steel Grade 304 and Available in Grade 316 upon special request.

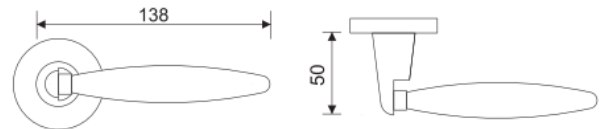
Finishes:  PSS - Polished Stainless Steel
 SSS - Satin Stainless Steel



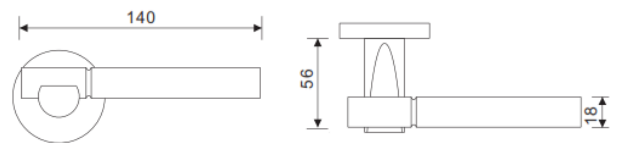
VBH 007



VBH 010





VBH 013



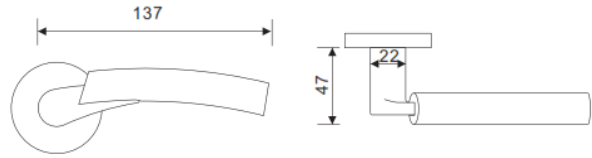
FEATURES:

- Pair of lever handles and roses with escutcheon
- 8 mm spindle included.
- Sprung, for use with standard duty followers
- Stainless Steel Grade 304 and Available in Grade 316 upon special request.

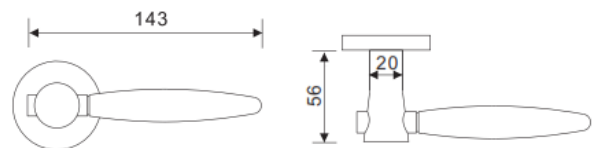
Finishes:  PSS - Polished Stainless Steel
 SSS - Satin Stainless Steel



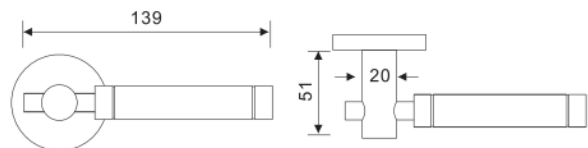
VBH 014



VBH 015



VBH 016



FEATURES:

- Pair of lever handles and roses with escutcheon
- 8 mm spindle included.
- Sprung, for use with standard duty followers
- Stainless Steel Grade 304 and Available in Grade 316 upon special request.

Finishes:



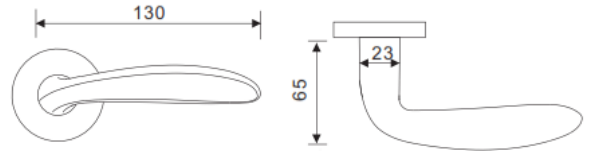
PSS - Polished Stainless Steel



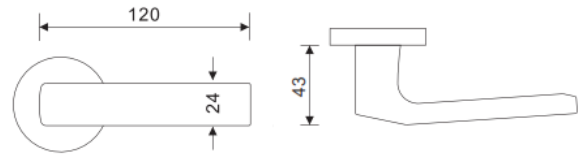
SSS - Satin Stainless Steel



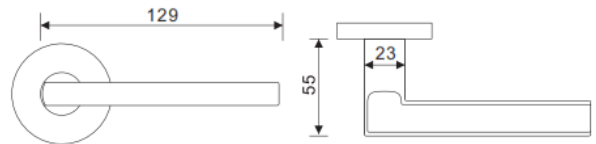
VBH 017



VBH 021



VBH 022



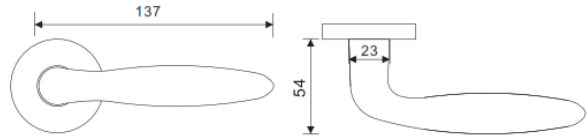
FEATURES:

- Pair of lever handles and roses with escutcheon
- 8 mm spindle included.
- Sprung, for use with standard duty followers
- Stainless Steel Grade 304 and Available in Grade 316 upon special request.

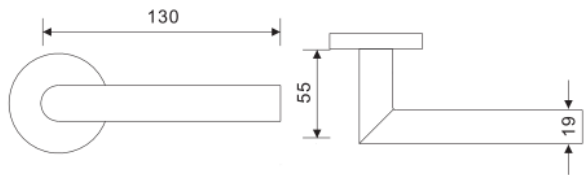
Finishes:  PSS - Polished Stainless Steel
 SSS - Satin Stainless Steel



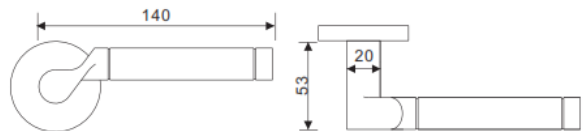
VBH 023



VBH 025



VBH 026



FEATURES:

- Pair of lever handles and roses with escutcheon
- 8 mm spindle included.
- Sprung, for use with standard duty followers
- Stainless Steel Grade 304 and Available in Grade 316 upon special request.

Finishes:



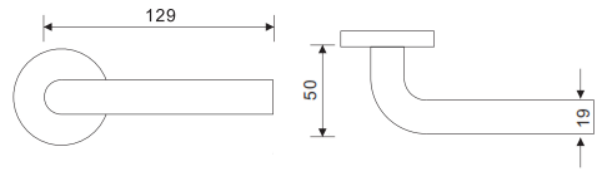
PSS - Polished Stainless Steel



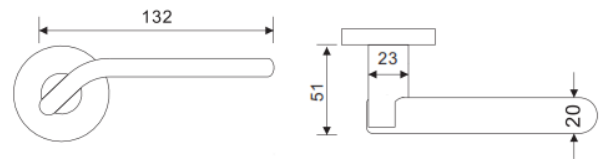
SSS - Satin Stainless Steel



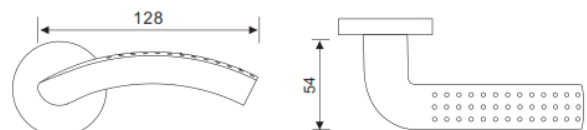
VBH 027



VBH 028




VBH 032



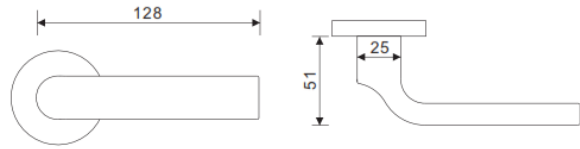
FEATURES:

- Pair of lever handles and roses with escutcheon
- 8 mm spindle included.
- Sprung, for use with standard duty followers
- Stainless Steel Grade 304 and Available in Grade 316 upon special request.

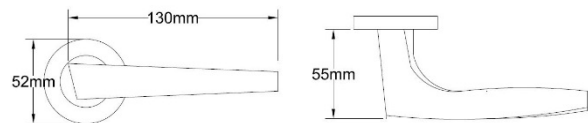
Finishes:  PSS - Polished Stainless Steel
 SSS - Satin Stainless Steel



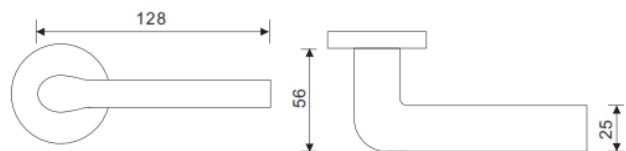
VBH 033



VBH 045



VBH 048



FEATURES:

- Pair of lever handles and roses with escutcheon
- 8 mm spindle included.
- Sprung, for use with standard duty followers
- Stainless Steel Grade 304 and Available in Grade 316 upon special request.

Finishes:



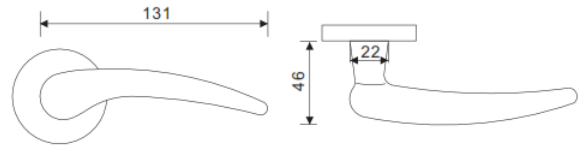
PSS - Polished Stainless Steel



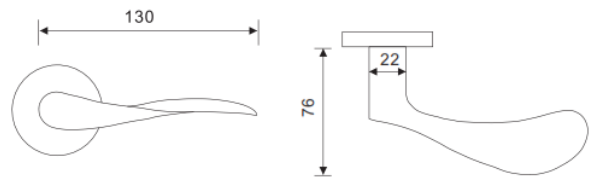
SSS - Satin Stainless Steel



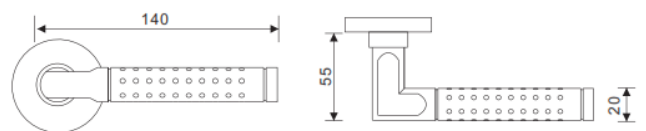
VBH 049



VBH 051




VBH 053



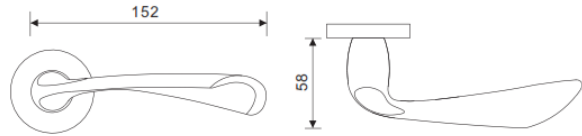
FEATURES:

- Pair of lever handles and roses with escutcheon
- 8 mm spindle included.
- Sprung, for use with standard duty followers
- Stainless Steel Grade 304 and Available in Grade 316 upon special request.

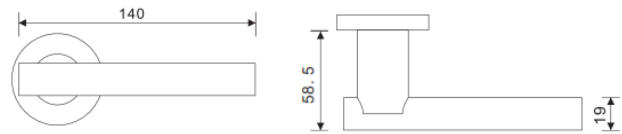
Finishes:  PSS - Polished Stainless Steel
 SSS - Satin Stainless Steel



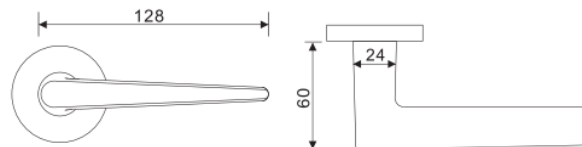
VBH 057



VBH 058



VBH 059



FEATURES:

- Pair of lever handles and roses with escutcheon
- 8 mm spindle included.
- Sprung, for use with standard duty followers
- Stainless Steel Grade 304 and Available in Grade 316 upon special request.

Finishes:



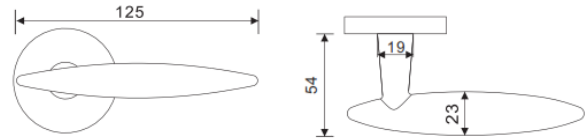
PSS - Polished Stainless Steel



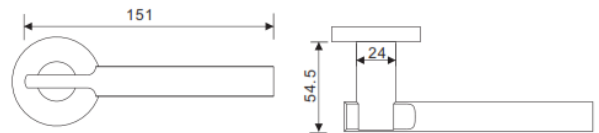
SSS - Satin Stainless Steel



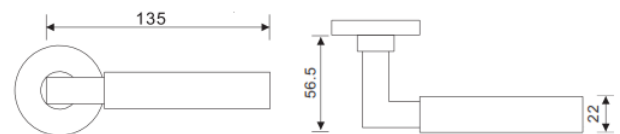
VBH 063



VBH 067




VBH 068



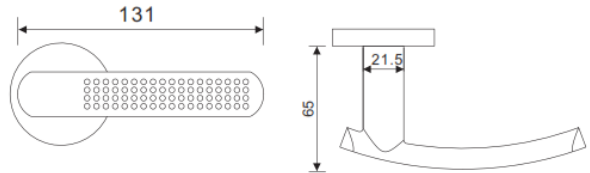
FEATURES:

- Pair of lever handles and roses with escutcheon
- 8 mm spindle included.
- Sprung, for use with standard duty followers
- Stainless Steel Grade 304 and Available in Grade 316 upon special request.

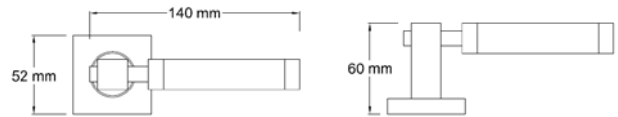
Finishes:  PSS - Polished Stainless Steel
 SSS - Satin Stainless Steel



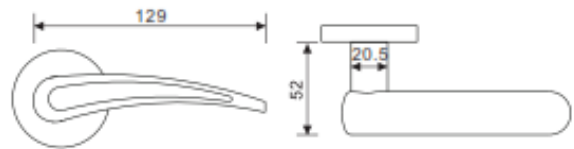
VBH 070



VBH 076



VBH 077



FEATURES:

- Pair of lever handles and roses with escutcheon
- 8 mm spindle included.
- Sprung, for use with standard duty followers
- Stainless Steel Grade 304 and Available in Grade 316 upon special request.

Finishes:



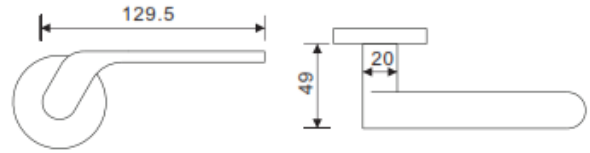
PSS - Polished Stainless Steel



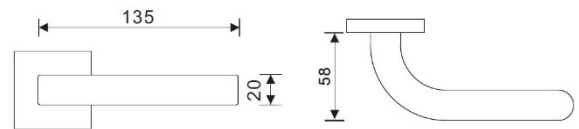
SSS - Satin Stainless Steel



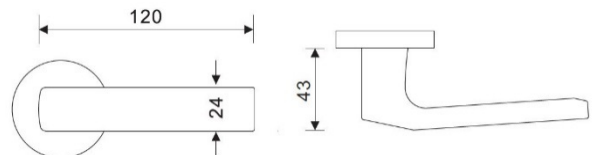
VBH 078



VBH 079



VBH 080



FEATURES:

- Pair of lever handles and roses with escutcheon
- 8 mm spindle included.
- Sprung, for use with standard duty followers
- Stainless Steel Grade 304 and Available in Grade 316 upon special request.

Finishes:



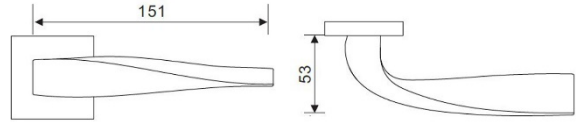
PSS - Polished Stainless Steel



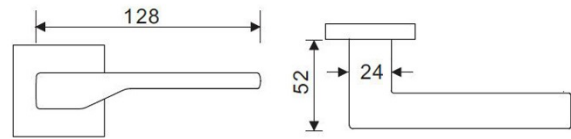
SSS - Satin Stainless Steel



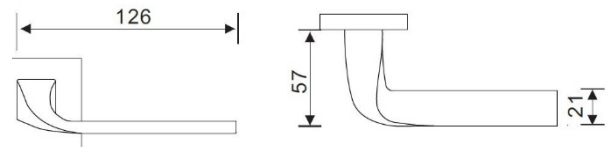
VBH081



VBH 082



VBH 083



FEATURES:

- Pair of lever handles and roses with escutcheon
- 8 mm spindle included.
- Sprung, for use with standard duty followers
- Stainless Steel Grade 304 and Available in Grade 316 upon special request.

Finishes:



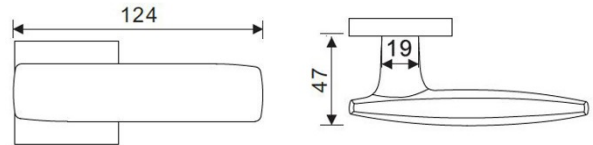
PSS - Polished Stainless Steel



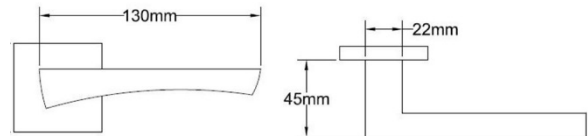
SSS - Satin Stainless Steel



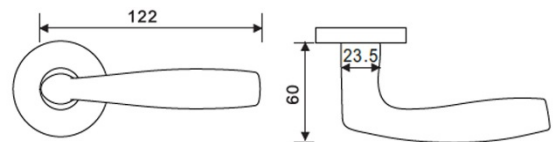
VBH084



VBH 085





VBH 086



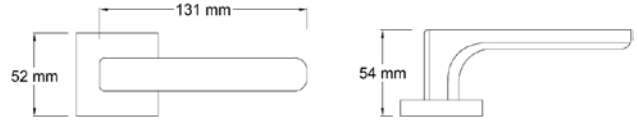
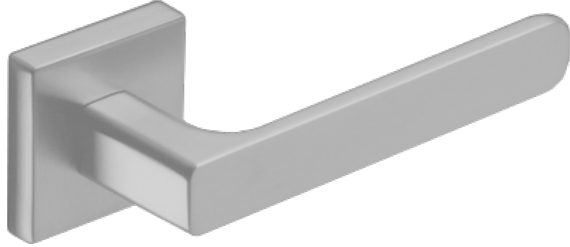
FEATURES:

- Pair of lever handles and roses with escutcheon
- 8 mm spindle included.
- Sprung, for use with standard duty followers
- Stainless Steel Grade 304 and Available in Grade 316 upon special request.

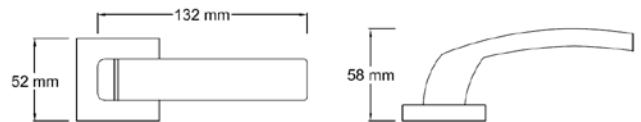
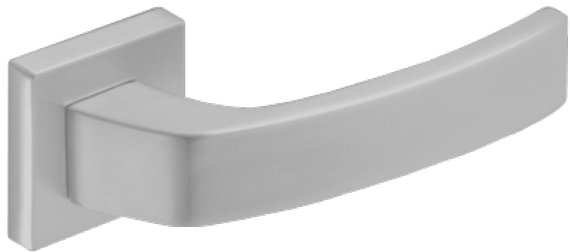
Finishes:  PSS - Polished Stainless Steel
 SSS - Satin Stainless Steel



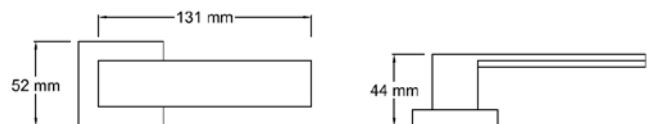
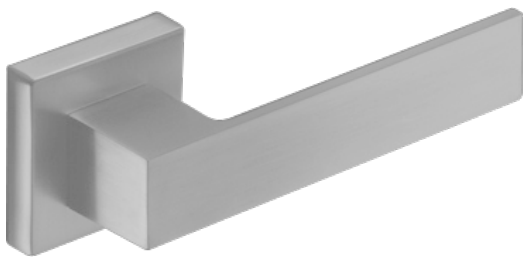
VBH 101



VBH 102



VBH 103



FEATURES:

- Pair of lever handles and roses with escutcheon
- 8 mm spindle included.
- Sprung, for use with standard duty followers
- Zamak or Stainless Steel Grade 304 and Available in Grade 316 upon special request.

Finishes:



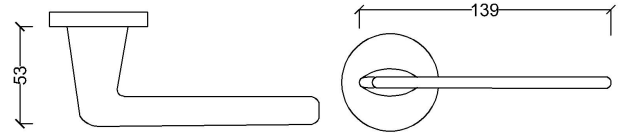
PSS - Polished Stainless Steel



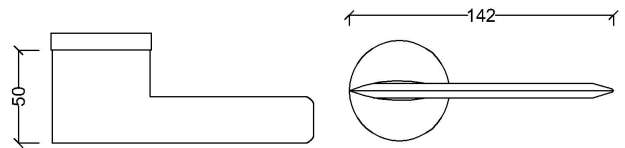
SSS - Satin Stainless Steel



VBH 104



VBH 105



VBH 106



FEATURES:

- Pair of lever handles and roses with escutcheon
- 8 mm spindle included.
- Sprung, for use with standard duty followers
- Zamak or Stainless Steel Grade 304 and Available in Grade 316 upon special request.

Finishes:



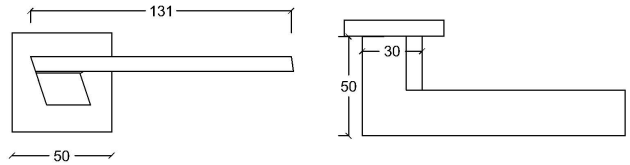
PSS - Polished Stainless Steel



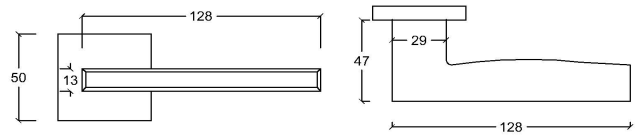
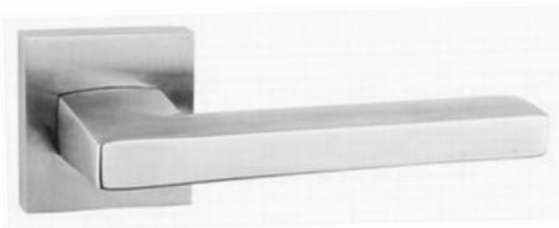
SSS - Satin Stainless Steel



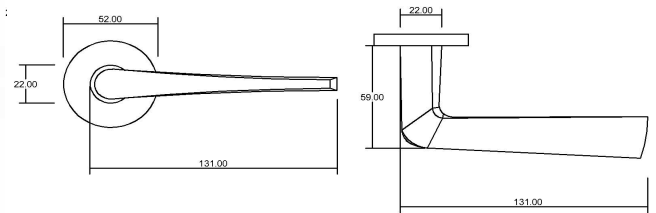
VBH 107



VBH 108



VBH 109



FEATURES:

- Pair of lever handles and roses with escutcheon
- 8 mm spindle included.
- Sprung, for use with standard duty followers
- Zamak or Stainless Steel Grade 304 and Available in Grade 316 upon special request.

Finishes:

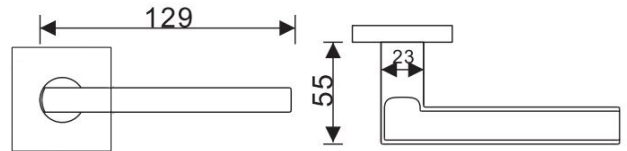


PSS - Polished Stainless Steel

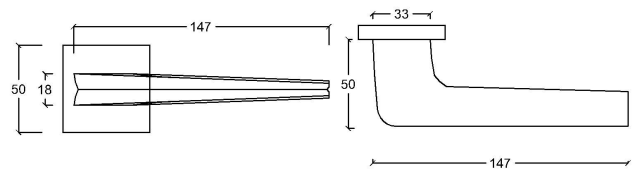
SSS - Satin Stainless Steel



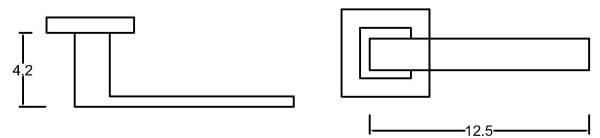
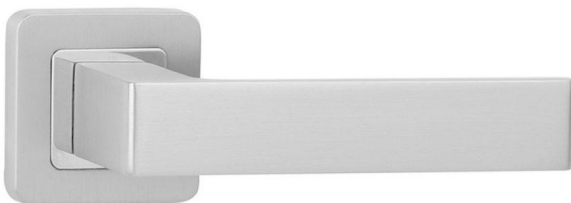
VBH 110



VBH 111






VBH 112



FEATURES:

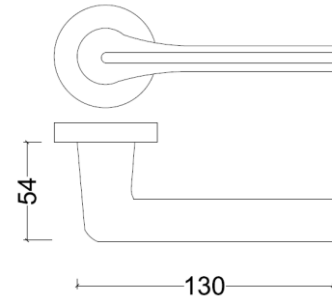
- Pair of lever handles and roses with escutcheon
- 8 mm spindle included.
- Sprung, for use with standard duty followers
- Zamak or Stainless Steel Grade 304 and Available in Grade 316 upon special request.
- Other finish available upon request.

Finishes:

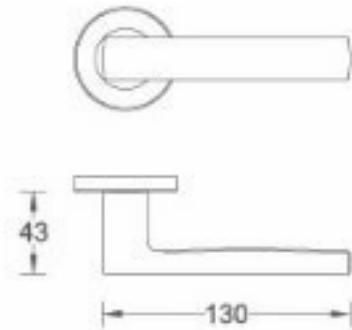
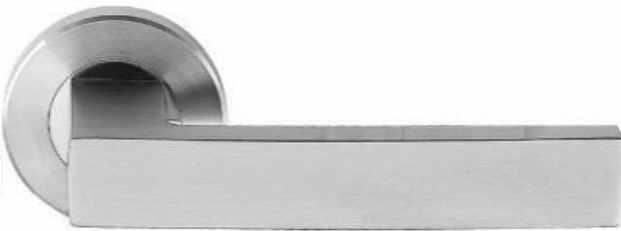
-  PSS - Polished Stainless Steel
-  SSS - Satin Stainless Steel
-  SN/CP - Satin Nickel / Chrome Plated



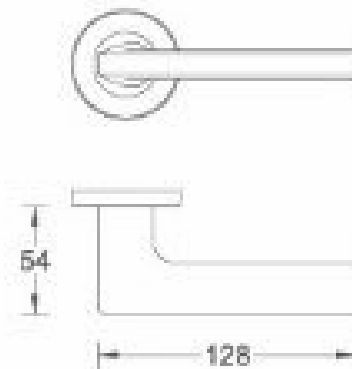
VBH 115



VBH 116



VBH 117



FEATURES:

- Pair of lever handles and roses with escutcheon
- 8 mm spindle included.
- Sprung, for use with standard duty followers
- Stainless Steel Grade 304 and Available in Grade 316 upon special request.
- Other finish available upon request.

Finishes:



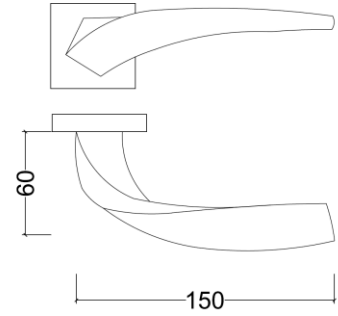
PSS - Polished Stainless Steel



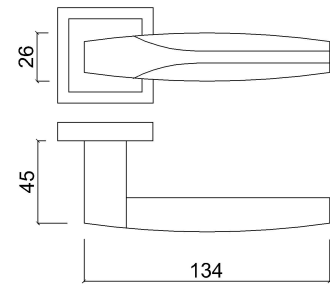
SSS - Satin Stainless Steel



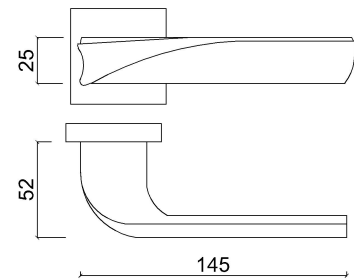
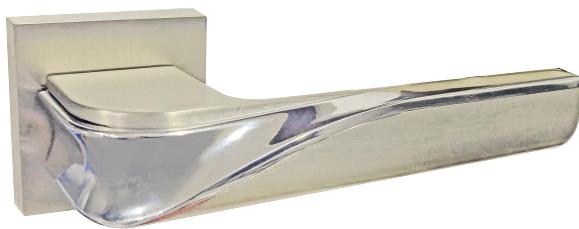
VBH 118



VBH 119



VBH 120



FEATURES:

- Pair of lever handles and roses with escutcheon
- 8 mm spindle included.
- Sprung, for use with standard duty followers
- Other finish available upon request.

Finishes:



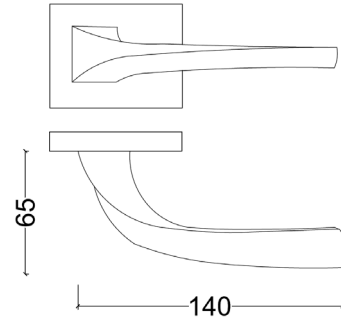
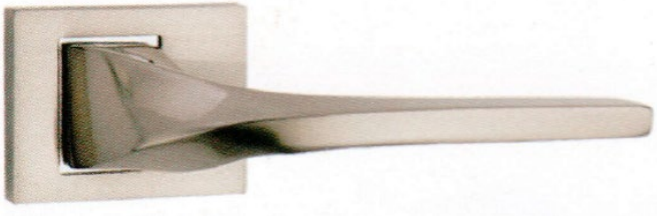
MSN - Matte Satin Nickel



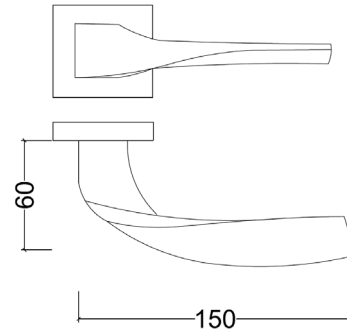
SN/CP - Satin Nickel / Chrome Plated



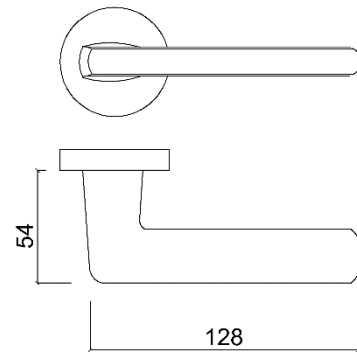
VBH 121



VBH 122



VBH 123



FEATURES:

- Pair of lever handles and roses with escutcheon
- 8 mm spindle included.
- Sprung, for use with standard duty followers
- Stainless Steel Grade 304 and Available in Grade 316 upon special request.
- Other finish available upon request.

Finishes:



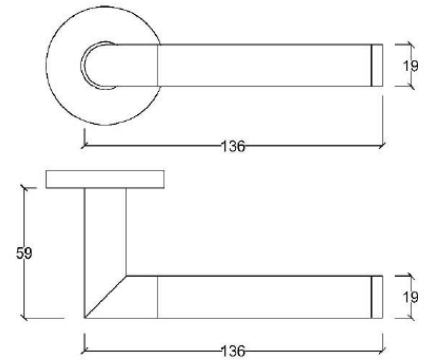
PSS - Polished Stainless Steel



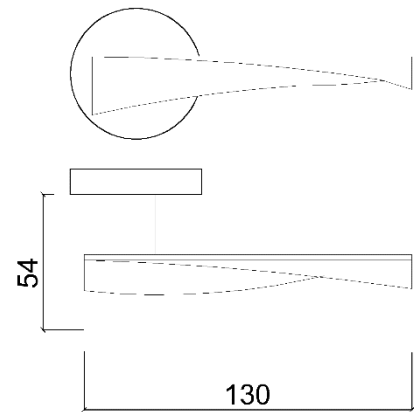
SSS - Satin Stainless Steel



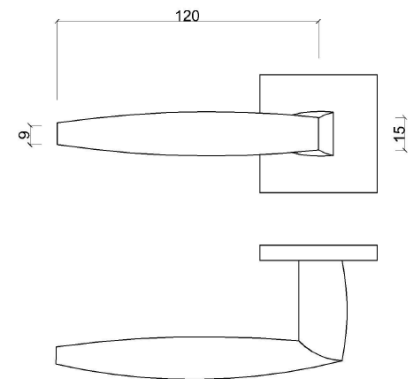
VBH 124



VBH 125





VBH 126



FEATURES:

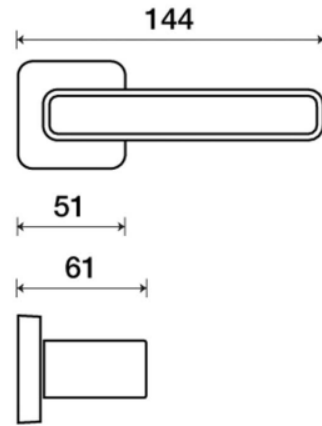
- Pair of lever handles and roses with escutcheon
- 8 mm spindle included.
- Sprung, for use with standard duty followers
- Stainless Steel Grade 304 and Available in Grade 316 upon special request.
- Other finish available upon request.

Finishes:

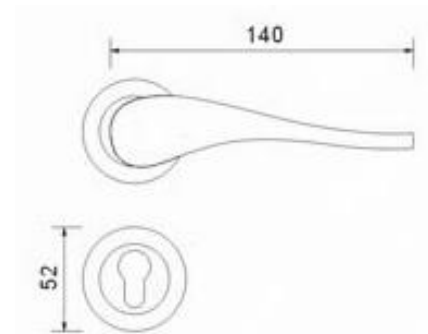
-  PSS - Polished Stainless Steel
-  SSS - Satin Stainless Steel



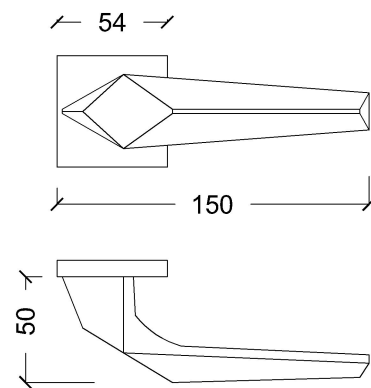
VBH 133



VBH 134



VBH 135



FEATURES:

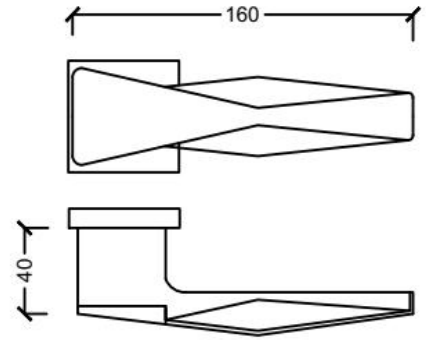
- Pair of lever handles and roses with escutcheon
- 8 mm spindle included.
- Sprung, for use with standard duty followers
- Stainless Steel Grade 304 and Available in Grade 316 upon special request.
- Other finish available upon request.

Finishes:

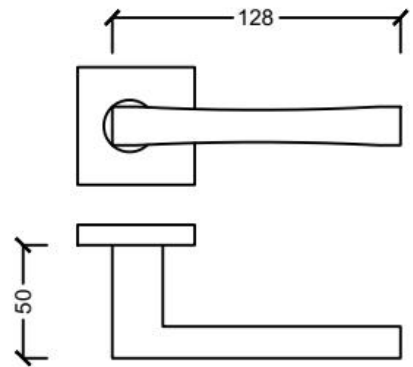
-  SSS - Satin Stainless Steel
-  MSN - Matte Satin Nickel
-  BSN - Black Satin Nickel
-  SN - Satin Nickel
-  CP - Chrome Plated



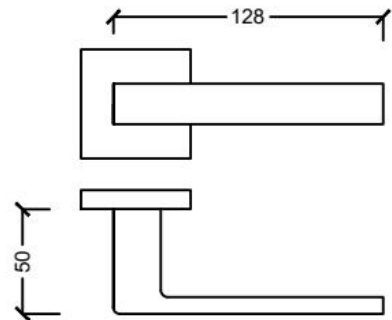
VBH 136



VBH 137



VBH 138



FEATURES:

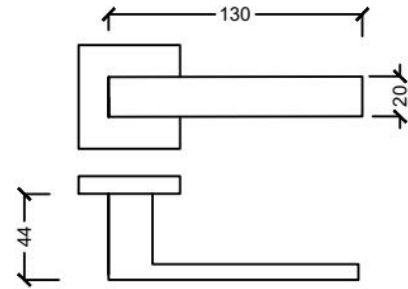
- Pair of lever handles and roses with escutcheon
- 8 mm spindle included.
- Sprung, for use with standard duty followers
- Stainless Steel Grade 304 and Available in Grade 316 upon special request.
- Other finish available upon request.

Finishes:

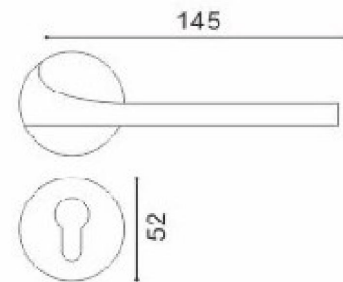
- SSS - Satin Stainless Steel
- MSN - Matte Satin Nickel
- BSN - Black Satin Nickel
- SN - Satin Nickel
- CP - Chrome Plated



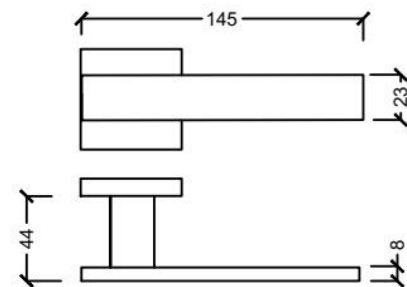
VBH 139



VBH 140



VBH 141



FEATURES:

- Pair of lever handles and roses with escutcheon
- 8 mm spindle included.
- Sprung, for use with standard duty followers
- Stainless Steel Grade 304 and Available in Grade 316 upon special request.
- Other finish available upon request.

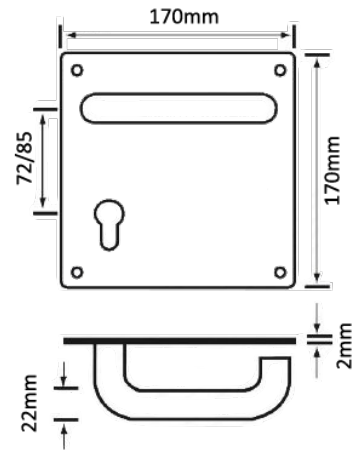
Finishes:

-  SSS - Satin Stainless Steel
-  MSN - Matte Satin Nickel
-  BSN - Black Satin Nickel
-  SN - Satin Nickel
-  CP - Chrome Plated

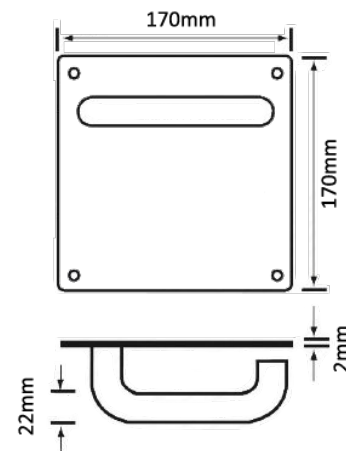




VHP 001



VHP 002



FEATURES:

- Pair of lever handle on 170x170mm square plate
- 8 mm spindle included.
- Sprung, for use with standard duty followers
- Stainless Steel Grade 304 and Available in Grade 316 upon special request.

Finishes:

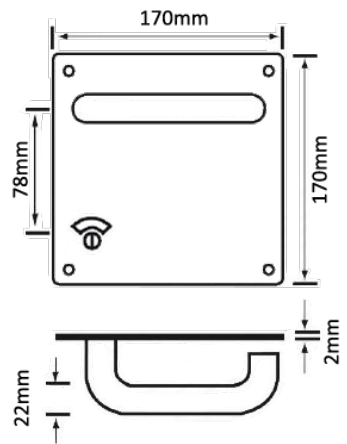
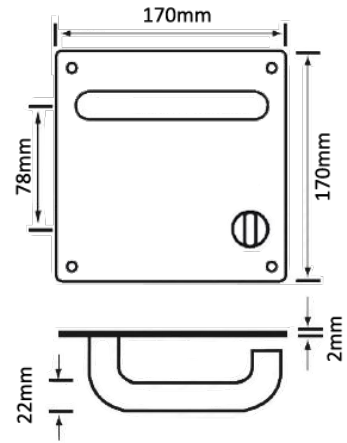


PSS - Polished Stainless Steel

SSS - Satin Stainless Steel



VHP 003



FEATURES:

- Pair of lever handle on 170x170mm square plate
- 8 mm spindle included.
- Sprung, for use with standard duty followers
- Stainless Steel Grade 304 and Available in Grade 316 upon special request.

Finishes:



PSS - Polished Stainless Steel



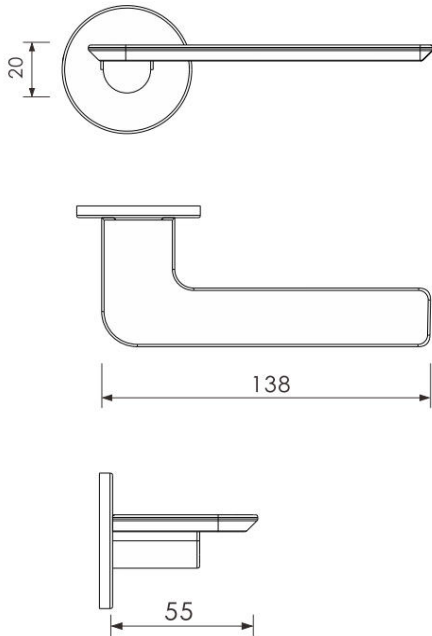
SSS - Satin Stainless Steel





VPH 001

Product size



Available Finish



MSC Matt Satin Chrome



BLK Matt Black



PG Polished Gold



MSN Matt Satin Nickel



PC Polished Chrome



SBN Satin Black Nickel

FEATURES:

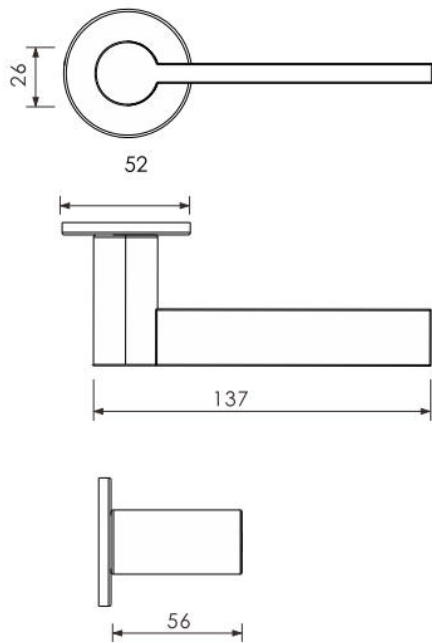
- Pair of lever handles and roses with escutcheon
- 8 mm spindle included.
- Sprung, for use with standard duty followers.
- Other finish available upon request.





VPH 002

Product size



Available Finish



MSC Matt Satin Chrome



BLK Matt Black



PG Polished Gold



MSN Matt Satin Nickel



PC Polished Chrome



SBN Satin Black Nickel

FEATURES:

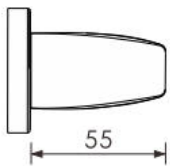
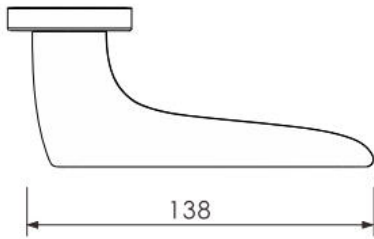
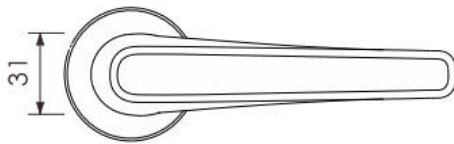
- Pair of lever handles and roses with escutcheon
- 8 mm spindle included.
- Sprung, for use with standard duty followers
- Other finish available upon request.





VPH 003

Product size



Available Finish



MSC Matt Satin Chrome



BLK Matt Black



MAB Matt Antique Brass



MSN Matt Satin Nickel



PC Polished Chrome



SBN Satin Black Nickel

FEATURES:

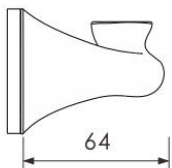
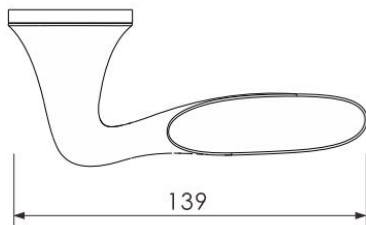
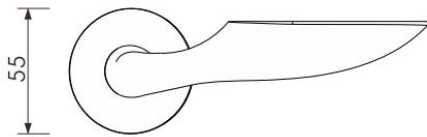
- Pair of lever handles and roses with escutcheon
- 8 mm spindle included.
- Sprung, for use with standard duty followers.
- Other finish available upon request.





VPH 004

Product size



Available Finish



MSC Matt Satin Chrome



BLK Matt Black



PG Polished Gold



MSN Matt Satin Nickel



PC Polished Chrome



SBN Satin Black Nickel

FEATURES:

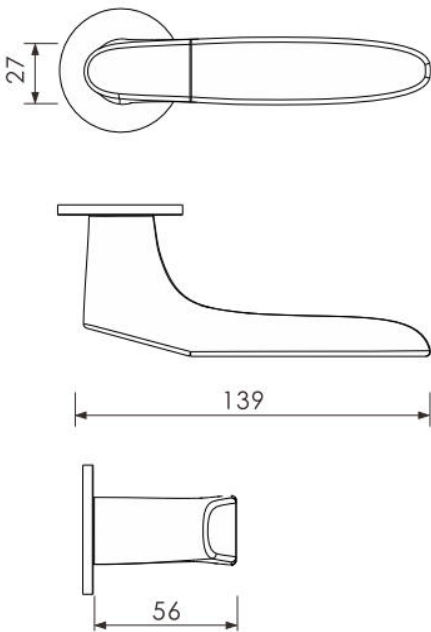
- Pair of lever handles and roses with escutcheon
- 8 mm spindle included.
- Sprung, for use with standard duty followers
- Other finish available upon request.





VPH 005

Product size



Available Finish



FEATURES:

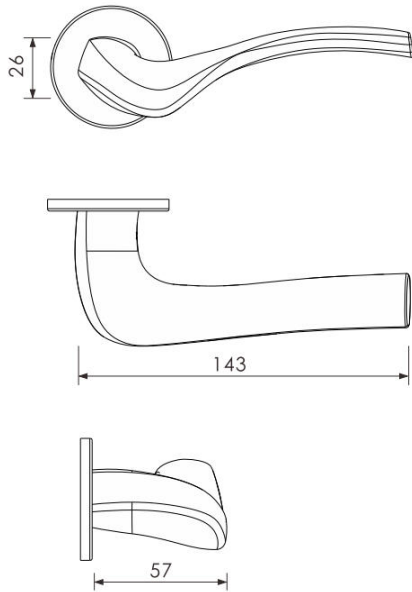
- Pair of lever handles and roses with escutcheon
- 8 mm spindle included.
- Sprung, for use with standard duty followers.
- Other finish available upon request.





VPH 006

Product size



Available Finish



MSC Matt Satin Chrome



BLK Matt Black



PG Polished Gold



MSN Matt Satin Nickel



PC Polished Chrome



SBN Satin Black Nickel

FEATURES:

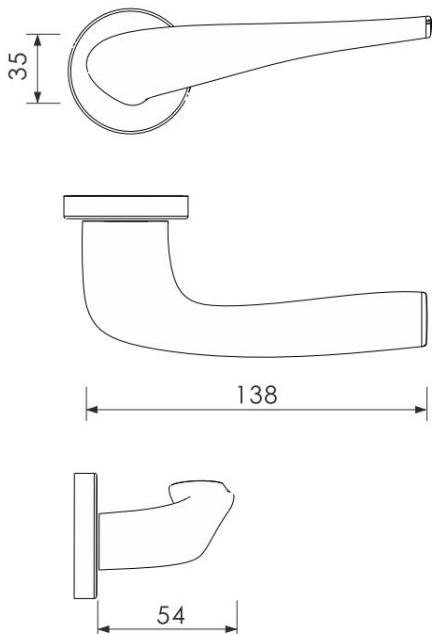
- Pair of lever handles and roses with escutcheon
- 8 mm spindle included.
- Sprung, for use with standard duty followers
- Other finish available upon request.





VPH 007

Product size



Available Finish



MSC Matt Satin Chrome



BLK Matt Black



MAB Matt Antique Brass



MSN Matt Satin Nickel



PC Polished Chrome



SBN Satin Black Nickel

FEATURES:

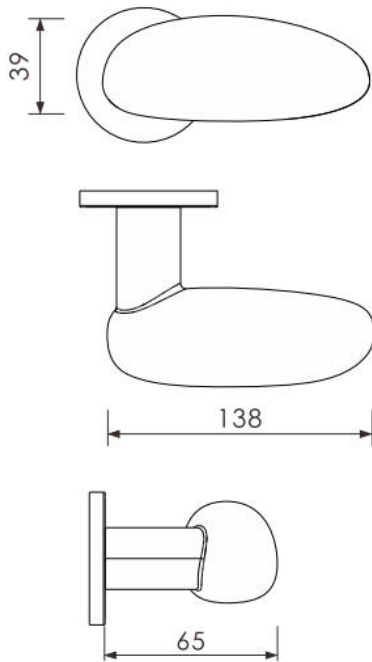
- Pair of lever handles and roses with escutcheon
- 8 mm spindle included.
- Sprung, for use with standard duty followers.
- Other finish available upon request.





VPH 008

Product size



Available Finish



MSC Matt Satin Chrome



BLK Matt Black



YB Yellow Bronze



MSN Matt Satin Nickel



PC Polished Chrome



SBN Satin Black Nickel

FEATURES:

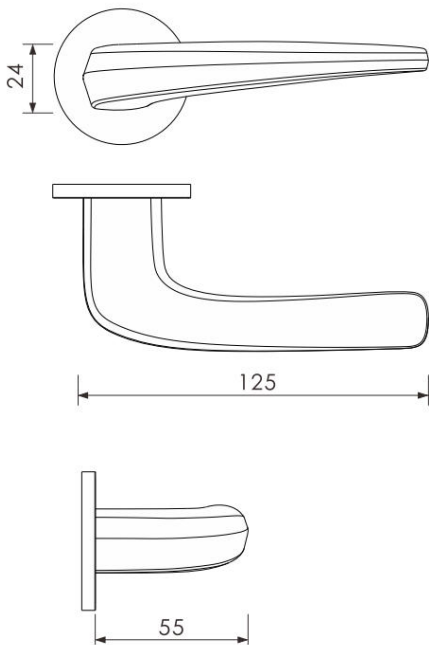
- Pair of lever handles and roses with escutcheon
- 8 mm spindle included.
- Sprung, for use with standard duty followers
- Other finish available upon request.





VPH 009

Product size



Available Finish



MSC Matt Satin Chrome



BLK Matt Black



YB Yellow Bronze



MSN Matt Satin Nickel



PC Polished Chrome



SBN Satin Black Nickel

FEATURES:

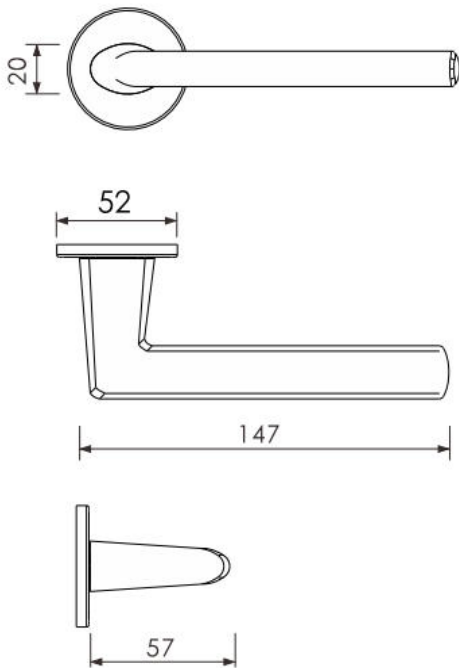
- Pair of lever handles and roses with escutcheon
- 8 mm spindle included.
- Sprung, for use with standard duty followers.
- Other finish available upon request.





VPH 010

Product size



Available Finish



PC Polished Chrome



PG Polished Gold



BLK Matt Black



SBN Satin Black Nickel

FEATURES:

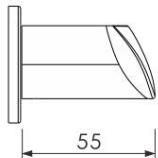
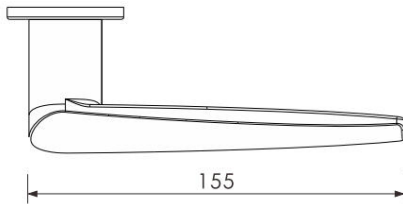
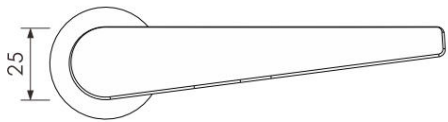
- Pair of lever handles and roses with escutcheon
- 8 mm spindle included.
- Sprung, for use with standard duty followers
- Other finish available upon request.





VPH 011

Product size



Available Finish



PC Polished Chrome



MAB Matt Antique Brass



PG Polished Gold



YB Yellow Bronze



BLK Matt Black

FEATURES:

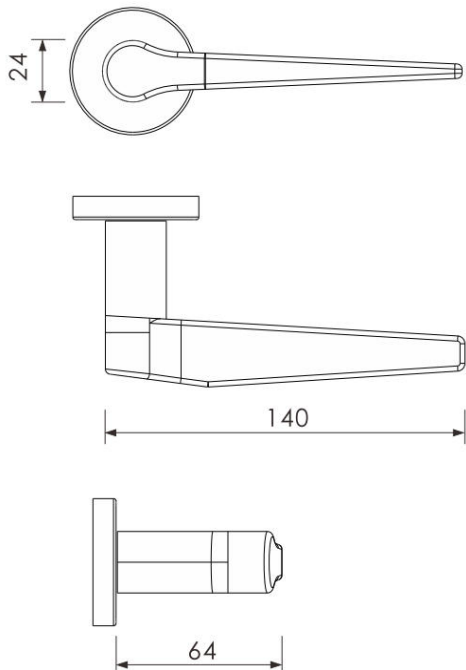
- Pair of lever handles and roses with escutcheon
- 8 mm spindle included.
- Sprung, for use with standard duty followers.
- Other finish available upon request.





VPH 012

Product size



Available Finish



PC Polished Chrome



SBN Satin Black Nickel



PG Polished Gold



MSN Matt Satin Nickel



BLK Matt Black

FEATURES:

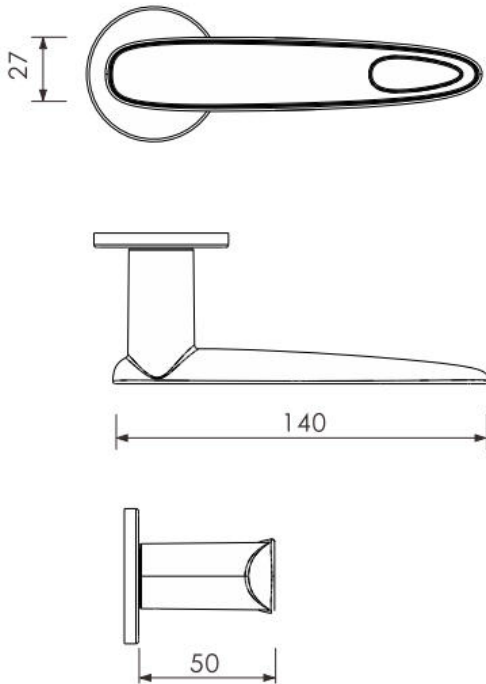
- Pair of lever handles and roses with escutcheon
- 8 mm spindle included.
- Sprung, for use with standard duty followers
- Other finish available upon request.





VPH 013

Product size



Available Finish



MSN&Teak wood
Matt Satini Nickel
& Teakwood



PC&Teak wood
Polished Chrome
& Teakwood



MSN&Maple
Matt Satini Nickel
& Maple



PC&Maple
Polished Chrome
& Maple



PC&BLK
Polished Chrome
& Matt Black



PC&White
Polished Chrome
& White

FEATURES:

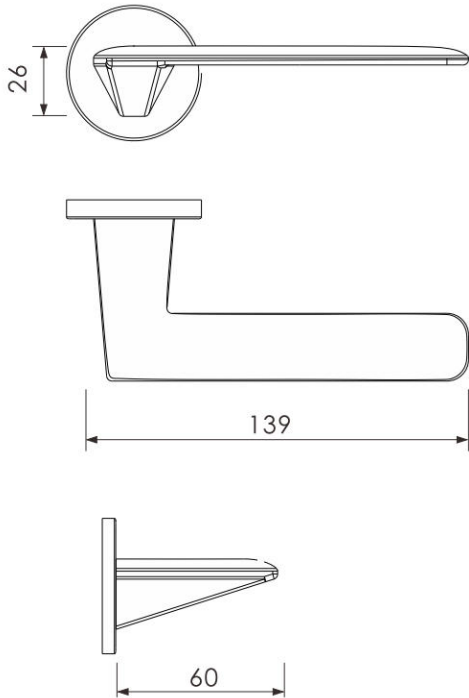
- Pair of lever handles and roses with escutcheon
- 8 mm spindle included.
- Sprung, for use with standard duty followers.
- Other finish available upon request.





VPH 014

Product size



Available Finish



PC Polished Chrome



PG Polished Gold



YB Yellow Bronze



BLK Matt Black

FEATURES:

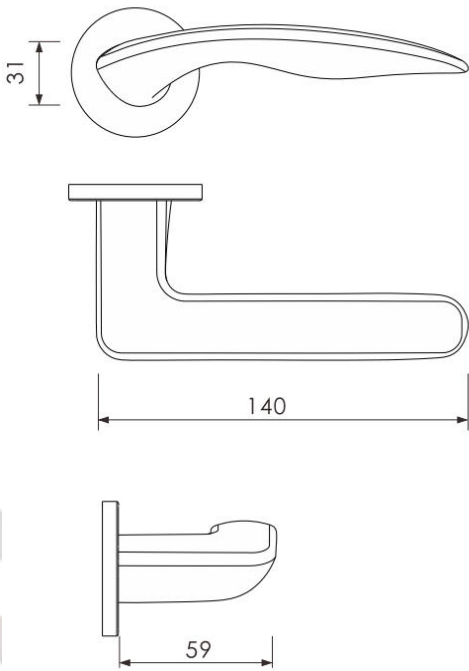
- Pair of lever handles and roses with escutcheon
- 8 mm spindle included.
- Sprung, for use with standard duty followers
- Other finish available upon request.





VPH 015

Product size



Available Finish



PC Polished Chrome



MSC Matt Satin Chrome



PVDG PVD Gold



MAB Matt Antique Brass



SBN Satin Black Nickel



BLK Matt Black

FEATURES:

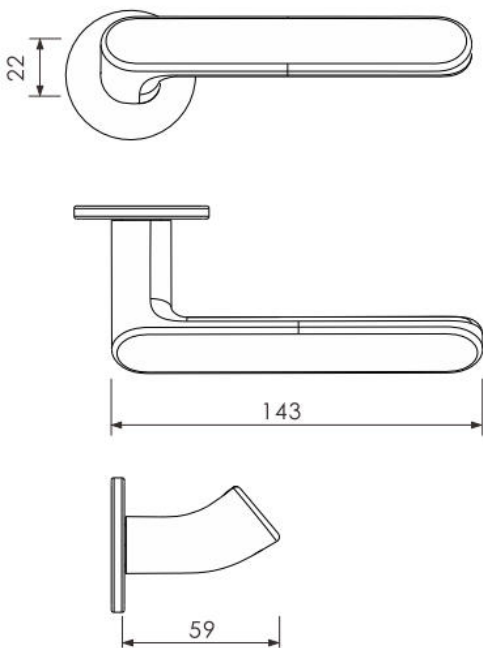
- Pair of lever handles and roses with escutcheon
- 8 mm spindle included.
- Sprung, for use with standard duty followers.
- Other finish available upon request.





VPH 016

Product size



Available Finish



PC Polished Chrome



MSN Matt Satin Nickel



YB Yellow Bronze



SBN Satin Black Nickel



BLK Matt Black

FEATURES:

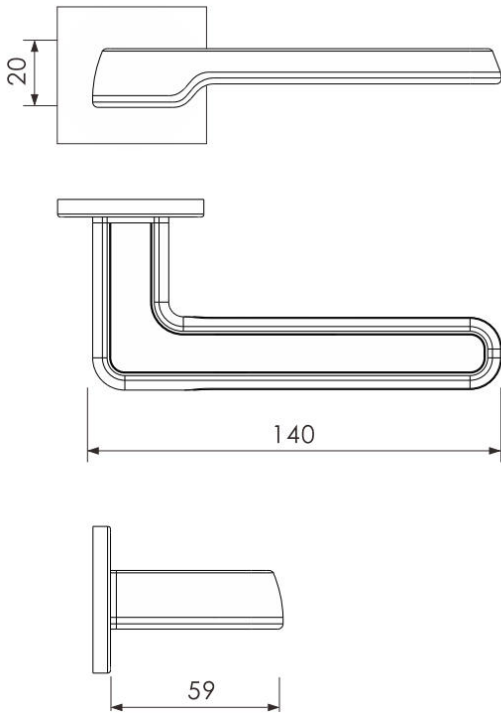
- Pair of lever handles and roses with escutcheon
- 8 mm spindle included.
- Sprung, for use with standard duty followers
- Other finish available upon request.





VPH 017

Product size



Available Finish



BLK&SBN
Matt Black & Satin Black Nickel



SBN&MSN
Satin Black Nickel & Matt Satin Nickel



SBN&BLK
Satin Black Nickel & Matt Black



MSN&PC
Matt Satin Nickel & Polished Chrome

FEATURES:

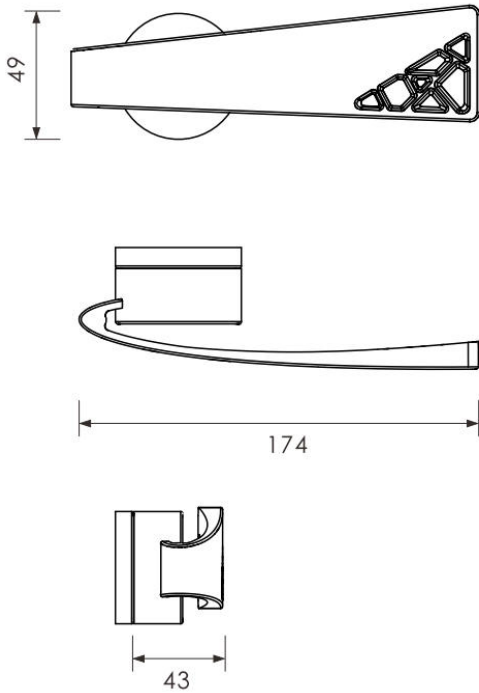
- Pair of lever handles and roses with escutcheon
- 8 mm spindle included.
- Sprung, for use with standard duty followers
- Other finish available upon request.





VPH 018

Product size



Available Finish



PC Polished Chrome



MSN Matt Satin Nickel



YB Yellow Bronze

FEATURES:

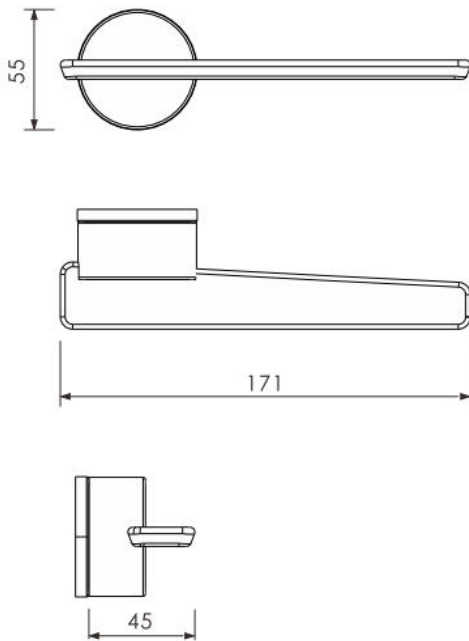
- Pair of lever handles and roses with escutcheon
- 8 mm spindle included.
- Sprung, for use with standard duty followers
- Other finish available upon request.





VPH 019

Product size



Available Finish



PC&SBN
Polished Chrome & Satin Black Nickel



PC&MSN
Polished Chrome & Matt Satin Nickel

FEATURES:

- Pair of lever handles and roses with escutcheon
- 8 mm spindle included.
- Sprung, for use with standard duty followers.
- Other finish available upon request.

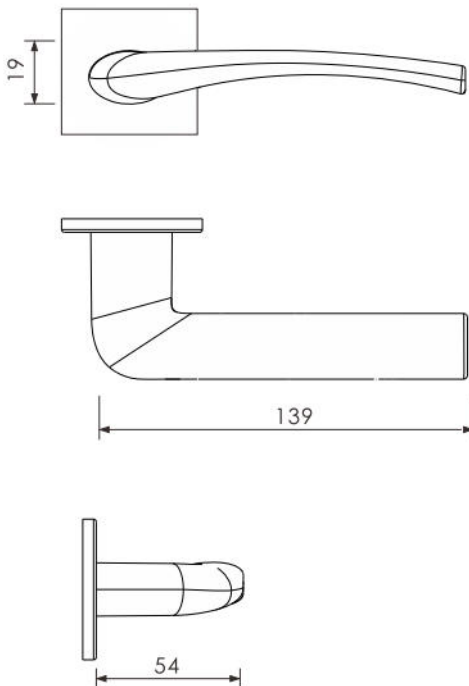




VPH 020

Lever Handle

Product size



Available Finish



PC Polished Chrome



MSC Matt Satin Chrome



PG Polished Gold



MSN Matt Satin Nickel



SBN Satin Black Nickel



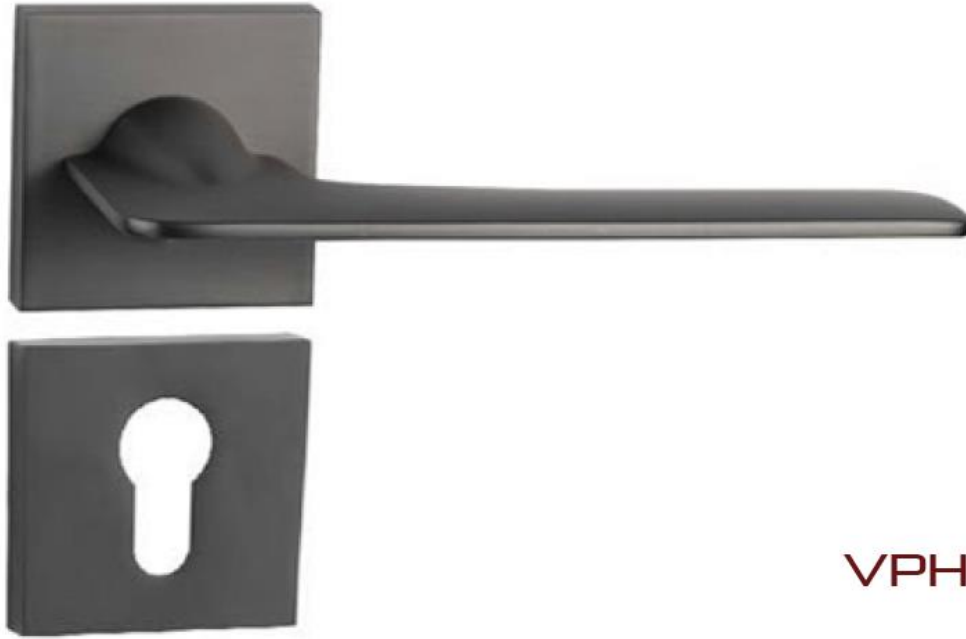
BLK Matt Black

FEATURES:

- Pair of lever handles and roses with escutcheon
- 8 mm spindle included.
- Sprung, for use with standard duty followers
- Other finish available upon request.

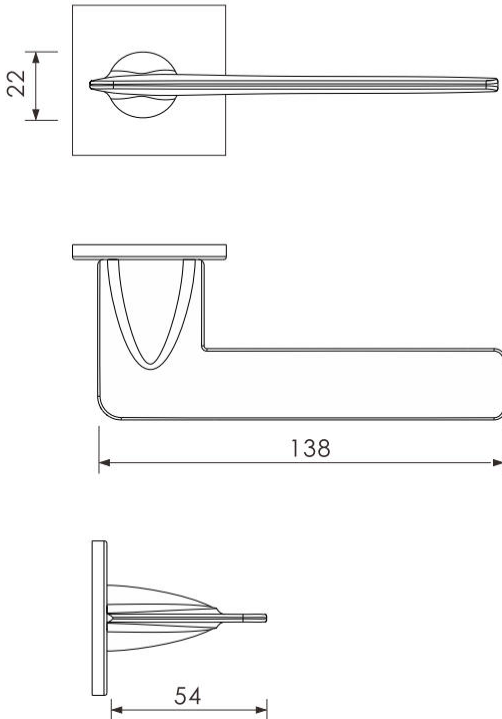


Premium Series



VPH 021

Product size



Available Finish



PC Polished Chrome



MSC Matt Satin Chrome



PG Polished Gold



MSN Matt Satin Nickel



SBN Satin Black Nickel



BLK Matt Black

FEATURES:

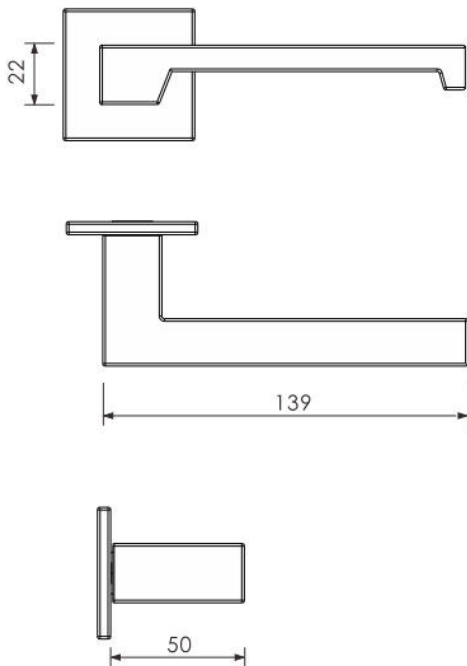
- Pair of lever handles and roses with escutcheon
- 8 mm spindle included.
- Sprung, for use with standard duty followers.
- Other finish available upon request.





VPH 022

Product size



Available Finish



PC Polished Chrome



MSC Matt Satin Chrome



PG Polished Gold



MSN Matt Satin Nickel



SBN Satin Black Nickel

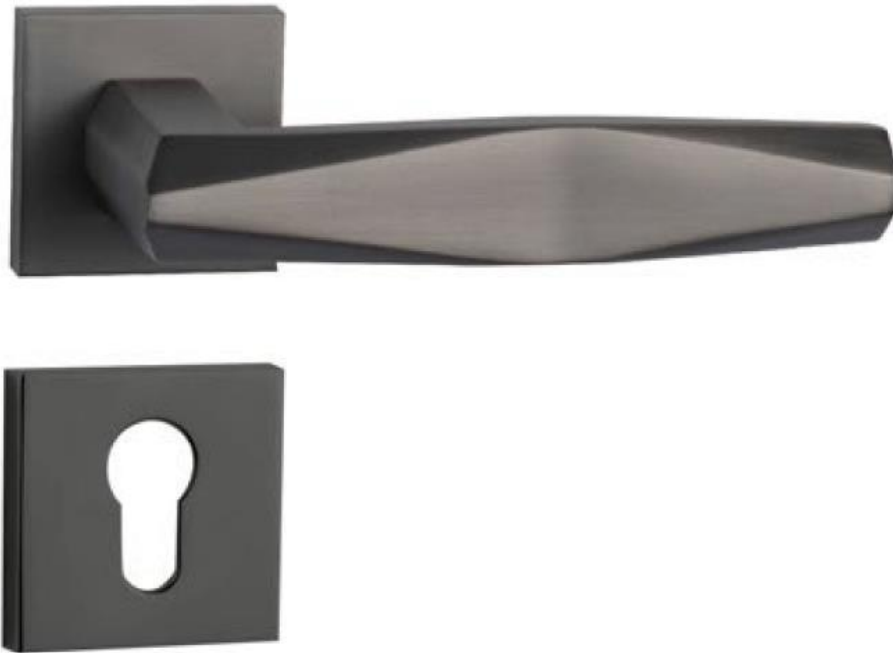


BLK Matt Black

FEATURES:

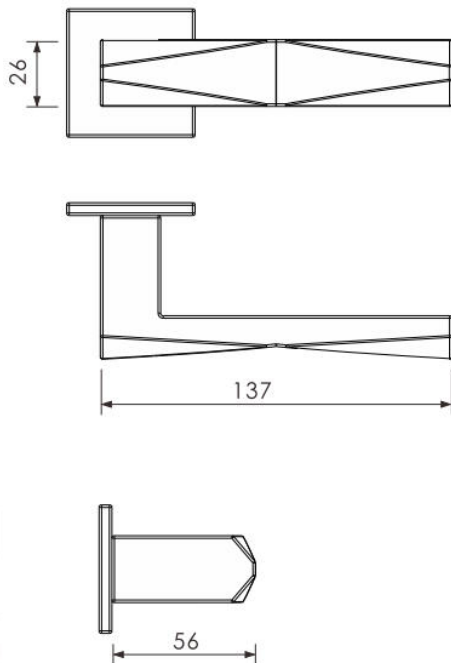
- Pair of lever handles and roses with escutcheon
- 8 mm spindle included.
- Sprung, for use with standard duty followers
- Other finish available upon request.





VPH 023

Product size



Available Finish



PC Polished Chrome



MSC Matt Satin Chrome



PG Polished Gold



MSN Matt Satin Nickel



SBN Satin Black Nickel



BLK Matt Black

FEATURES:

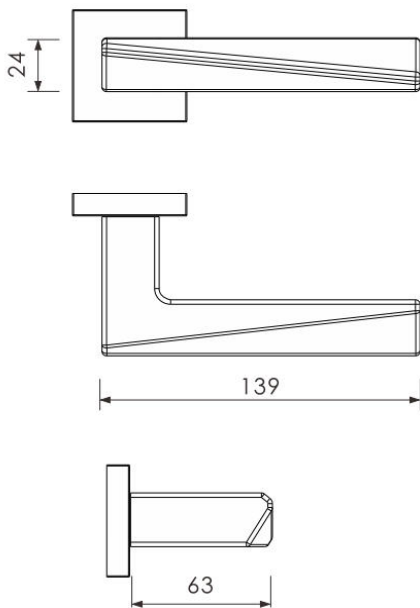
- Pair of lever handles and roses with escutcheon
- 8 mm spindle included.
- Sprung, for use with standard duty followers.
- Other finish available upon request.





VPH 024

Product size



Available Finish



PC Polished Chrome



MSC Matt Satin Chrome



MSN Matt Satin Nickel



SBN Satin Black Nickel



BLK Matt Black

FEATURES:

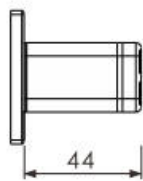
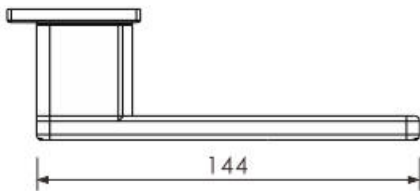
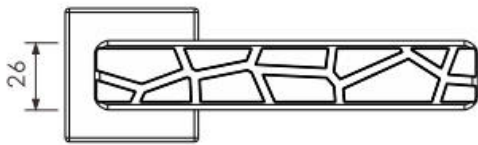
- Pair of lever handles and roses with escutcheon
- 8 mm spindle included.
- Sprung, for use with standard duty followers
- Other finish available upon request.





VPH 025

Product size



Available Finish



PC Polished Chrome



MSC Matt Satin Chrome



PG Polished Gold



MSN Matt Satin Nickel



SBN Satin Black Nickel



BLK Matt Black

FEATURES:

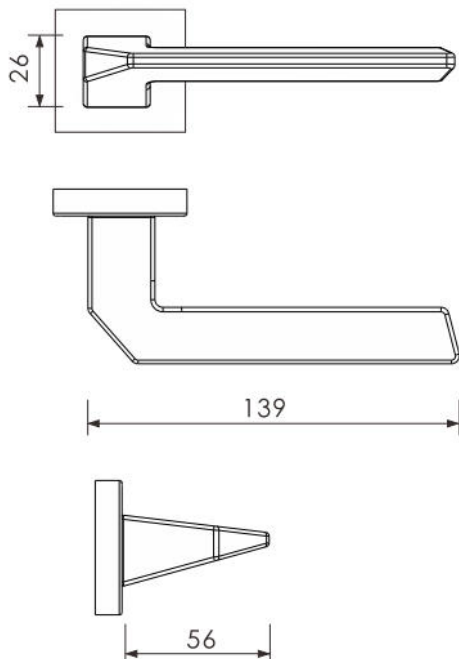
- Pair of lever handles and roses with escutcheon
- 8 mm spindle included.
- Sprung, for use with standard duty followers.
- Other finish available upon request.





VPH 026

Product size



Available Finish



PC Polished Chrome



MSC Matt Satin Chrome



MSN Matt Satin Nickel



SBN Satin Black Nickel

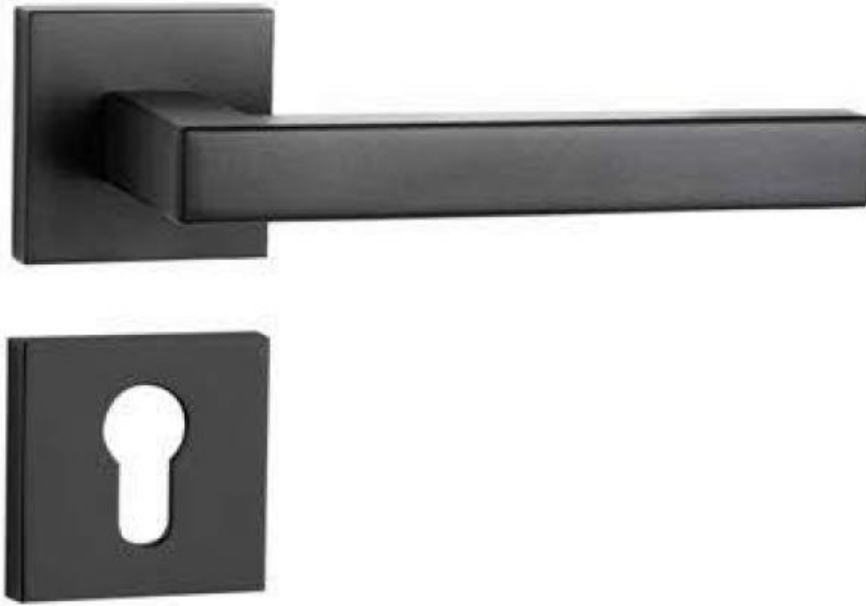


BLK Matt Black

FEATURES:

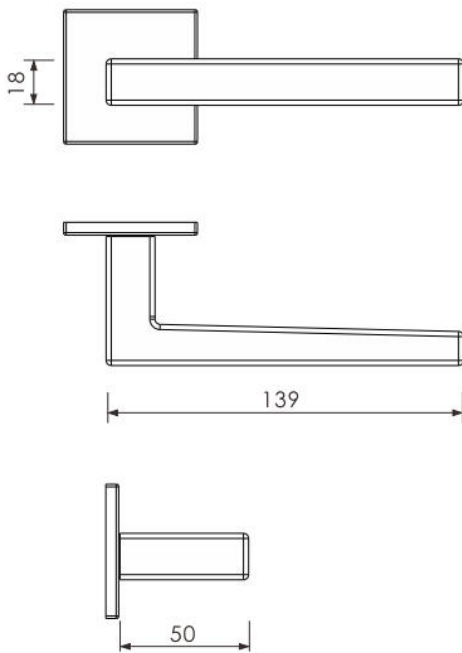
- Pair of lever handles and roses with escutcheon
- 8 mm spindle included.
- Sprung, for use with standard duty followers
- Other finish available upon request.





VPH 027

Product size



Available Finish



PC Polished Chrome



PG Polished Gold



YB Yellow Bronze



MSN Matt Satin Nickel



SBN Satin Black Nickel



BLK Matt Black

FEATURES:

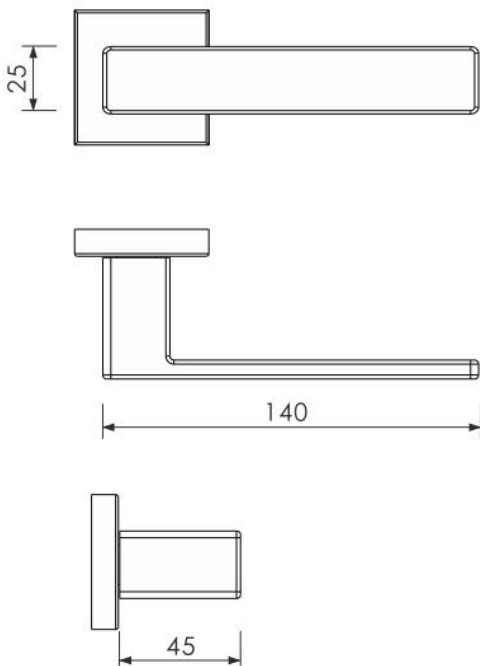
- Pair of lever handles and roses with escutcheon
- 8 mm spindle included.
- Sprung, for use with standard duty followers.
- Other finish available upon request.





VPH 028

Product size



Available Finish



PC Polished Chrome



PG Polished Gold



MAB Matt Antique Brass



MSN Matt Satin Nickel



SBN Satin Black Nickel



BLK Matt Black

FEATURES:

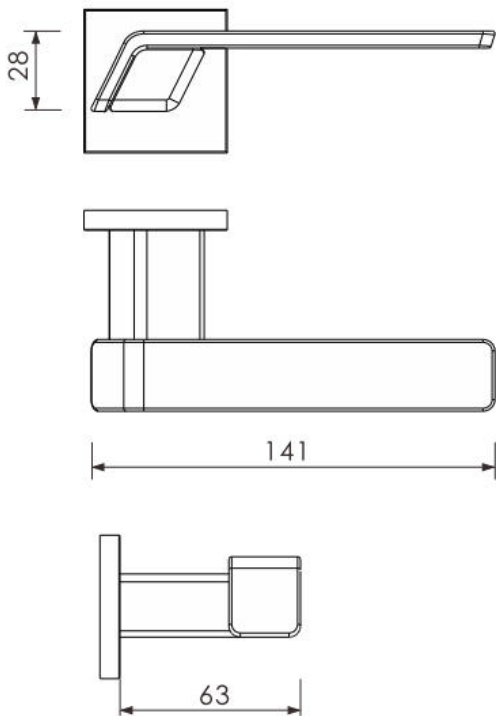
- Pair of lever handles and roses with escutcheon
- 8 mm spindle included.
- Sprung, for use with standard duty followers
- Other finish available upon request.





VPH 029

Product size



Available Finish



FEATURES:

- Pair of lever handles and roses with escutcheon
- 8 mm spindle included.
- Sprung, for use with standard duty followers.
- Other finish available upon request.

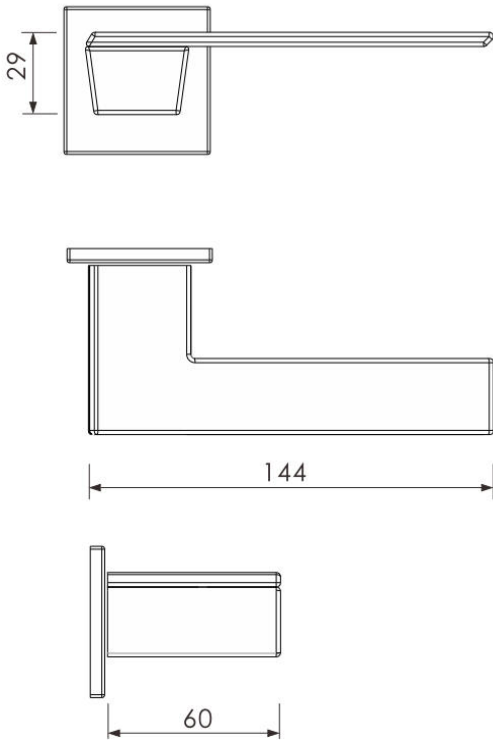




VPH 030

Lever Handle

Product size



Available Finish



BLK&PC
Matt Black & Polished Chrome



MSN&BLK
Matt Satin Nickel & Matt Black



PC&BLK
Polished Chrome & Matt Black



PC&SBN
Polished Chrome & Satin Black Nickel



SBN&PC
Satin Black Nickel & Polished Chrome

FEATURES:

- Pair of lever handles and roses with escutcheon
- 8 mm spindle included.
- Sprung, for use with standard duty followers
- Other finish available upon request.

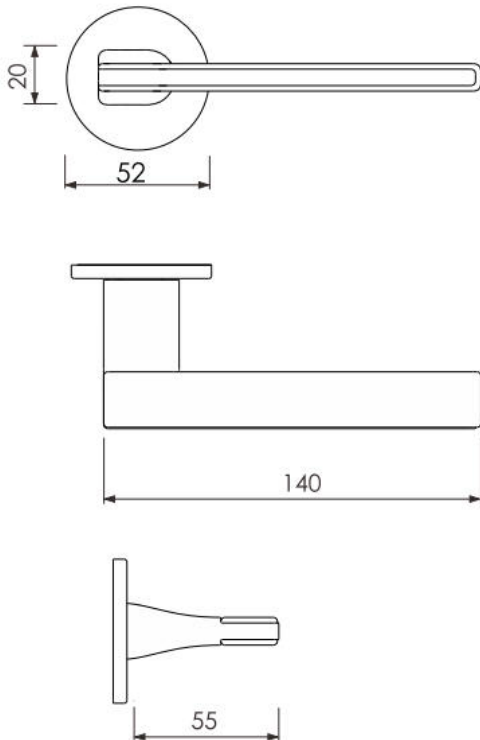


Premium Series



VPH 031

Product size



Available Finish



MSN&PC
Matt Satin Nickel & Polished Chrome



MSN&SBN
Matt Satin Nickel & Satin Black Nickel



BLK&PC
Matt Black & Polished Chrome

FEATURES:

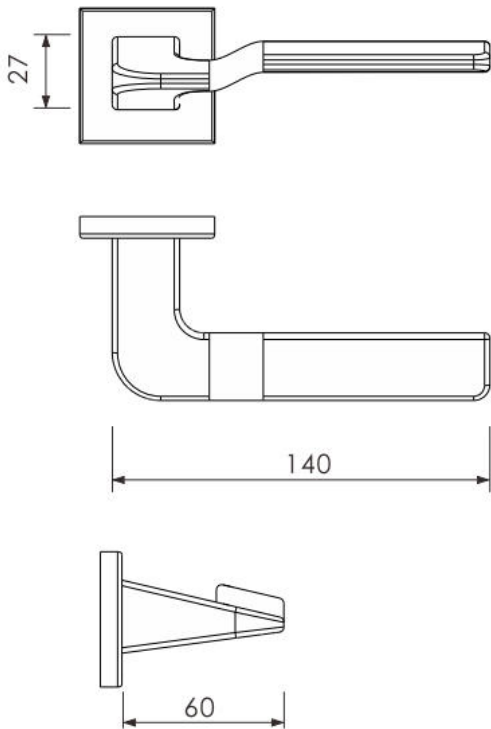
- Pair of lever handles and roses with escutcheon
- 8 mm spindle included.
- Sprung, for use with standard duty followers.
- Other finish available upon request.





VPH 032

Product size



Available Finish



PC Polished Chrome



MSN Matt Satin Nickel



MAB Matt Antique Brass



BLK Matt Black

FEATURES:

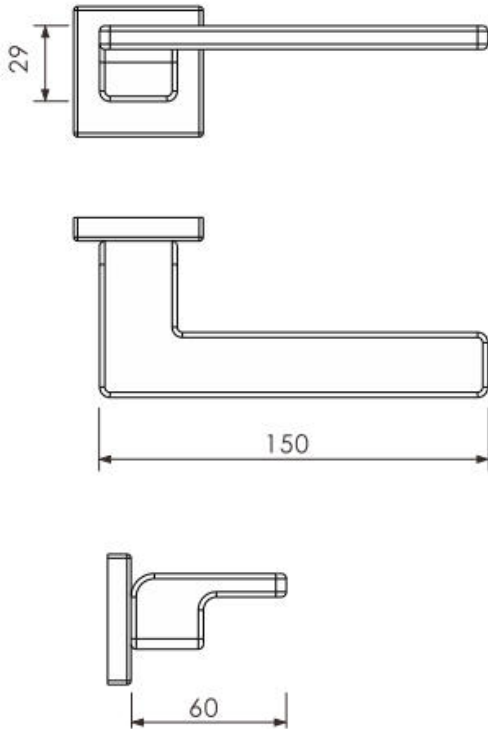
- Pair of lever handles and roses with escutcheon
- 8 mm spindle included.
- Sprung, for use with standard duty followers
- Other finish available upon request.





VPH 033

Product size



Available Finish



PC Polished Chrome



MSC Matt Satin Chrome



PVDG PVD Gold



MAB Matt Antique Brass



SBN Satin Black Nickel



BLK Matt Black

FEATURES:

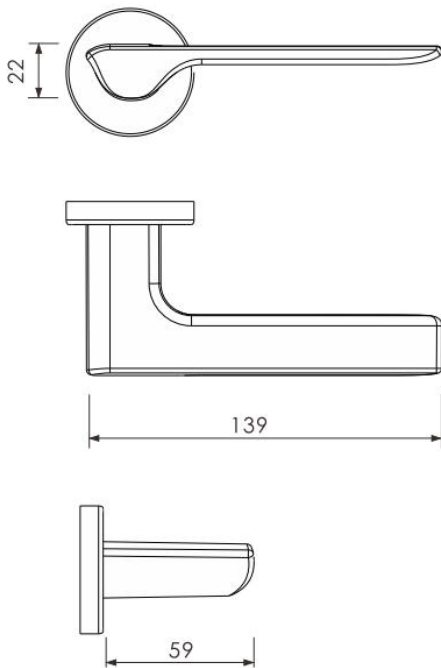
- Pair of lever handles and roses with escutcheon
- 8 mm spindle included.
- Sprung, for use with standard duty followers.
- Other finish available upon request.





VPH 034

Product size



Available Finish



PC Polished Chrome



MSN Matt Satin Nickel



YB Yellow Bronze

FEATURES:

- Pair of lever handles and roses with escutcheon
- 8 mm spindle included.
- Sprung, for use with standard duty followers
- Other finish available upon request.

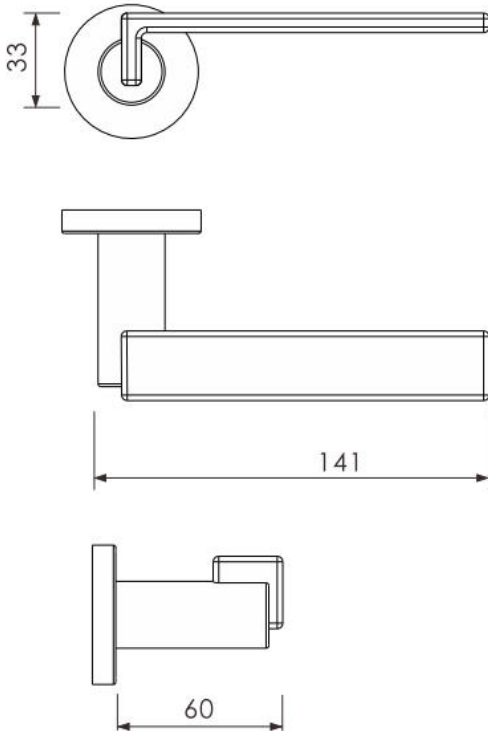




VPH 035

Lever Handle

Product size



Available Finish



FEATURES:

- Pair of lever handles and roses with escutcheon
- 8 mm spindle included.
- Sprung, for use with standard duty followers.
- Other finish available upon request.

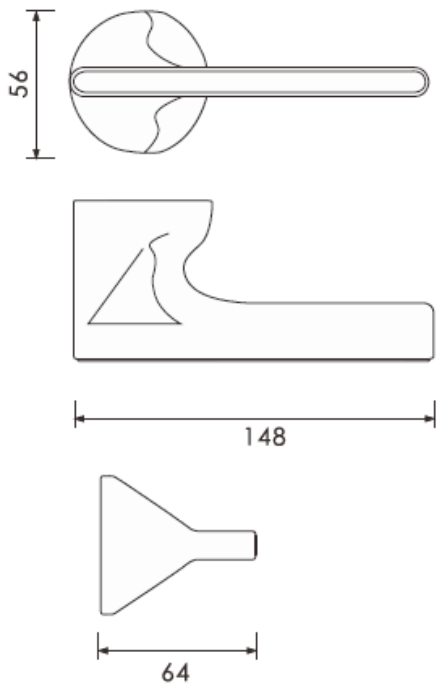


Premium Series



VPH 036

Product size



Available Finish



MSC&BLK
Matt Satin Chrome & Matt Black



SBN&MSN
Satin Black Nickel & Matt Satin Nickel

FEATURES:

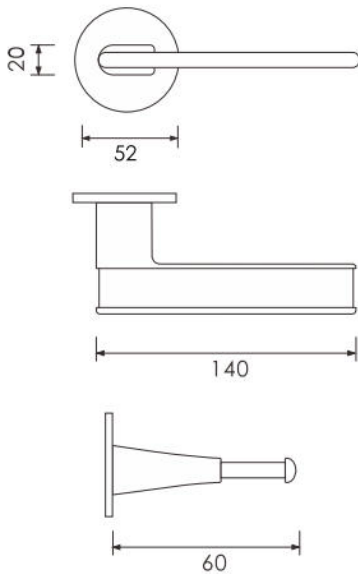
- Pair of lever handles and roses with escutcheon
- 8 mm spindle included.
- Sprung, for use with standard duty followers
- Other finish available upon request.





VPH 044

Product size



Available Finish



SBN&Beige White
Satin Black Nickel & Beige White



MSN&Brown
Matt Satin Nickel & Brown

FEATURES:

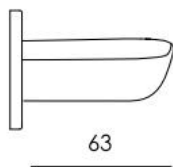
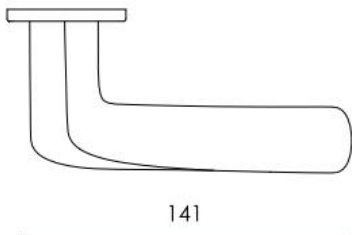
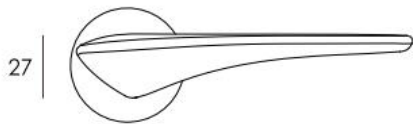
- Pair of lever handles and roses with escutcheon
- 8 mm spindle included.
- Sprung, for use with standard duty followers.
- Other finish available upon request.





VPH 056

Product size



Available finish



22K Matt Gold



SBN



BLK

FEATURES:

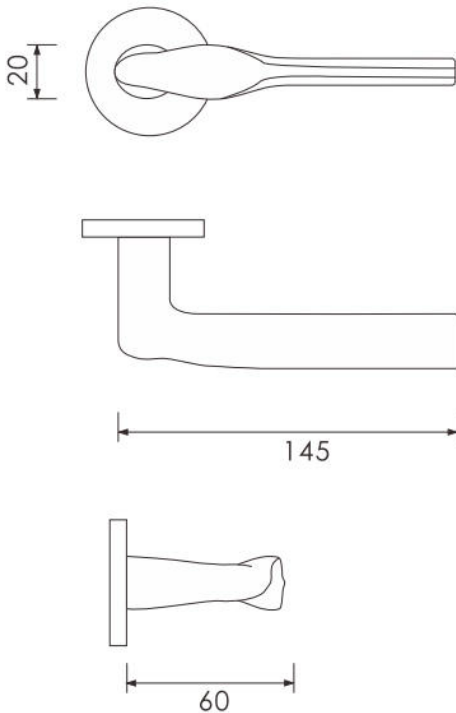
- Pair of lever handles and roses with escutcheon
- 8 mm spindle included.
- Sprung, for use with standard duty followers
- Other finish available upon request.





VPH 057

Product size



Available Finish



PC Polished Chrome



MSC Matt Satin Chrome



PVDG PVD Gold



MSN Matt Satin Nickel



BLK Matt Black

FEATURES:

- Pair of lever handles and roses with escutcheon
- 8 mm spindle included.
- Sprung, for use with standard duty followers.
- Other finish available upon request.



VOSET[®]
Architectural Hardware

VOSET[®]
Architectural Hardware



PULL HANDLE


D-Pull Handle



FEATURES:

- Available in bolt through (BT) or back to back (BB) assembly
- Available on round rose (RR) or back plate (BP) – engraved “PUSH / PULL” to order
- Other sizes available on special request

VPHH 001	: 16mm \varnothing x 225mm
VPHH 002	: 16mm \varnothing x 300mm
VPHH 003	: 19mm \varnothing x 150mm
VPHH 004	: 19mm \varnothing x 225mm
VPHH 005	: 19mm \varnothing x 300mm
VPHH 006	: 19mm \varnothing x 400mm
VPHH 007	: 19mm \varnothing x 600mm
VPHH 008	: 22mm \varnothing x 225mm
VPHH 009	: 22mm \varnothing x 300mm
VPHH 010	: 22mm \varnothing x 400mm
VPHH 011	: 25mm \varnothing x 300mm
VPHH 012	: 25mm \varnothing x 450mm
VPHH 013	: 25mm \varnothing x 600mm
VPHH 014	: 32mm \varnothing x 300mm
VPHH 015	: 32mm \varnothing x 450mm
VPHH 016	: 32mm \varnothing x 600mm
VPHH 017	: 32mm \varnothing x 900mm

Finishes:  PSS - Polished Stainless Steel
 SSS - Satin Stainless Steel

H-Pull Handle



FEATURES:

- Available in bolt through (BT) or back to back (BB) assembly
- Other sizes available on special request

VPHH 200	: 32mm \varnothing x 350mm x 450mm
VPHH 201	: 25mm \varnothing x 300mm x 400mm
VPHH 202	: 30mm \varnothing x 400mm x 600mm
VPHH 203	: 32mm \varnothing x 300mm x 600mm
VPHH 204	: 32mm \varnothing x 900mm x 1200mm
VPHH 205	: 32mm \varnothing x 1000mm x 1200mm
VPHH 206	: 32mm \varnothing x 1000mm x 1500mm
VPHH 207	: 38mm \varnothing x 1500mm x 1800mm
VPHH 208	: 32mm \varnothing x 1800mm x 2000mm
VPHH 209	: 30mm \varnothing x 450mm x 600mm

Finishes:  PSS - Polished Stainless Steel
 SSS - Satin Stainless Steel

Curved Pull Handle



FEATURES:

- Available in bolt through (BT) or back to back (BB) assembly
- Other sizes available on special request

VPHH 301	:	25mm \varnothing x 300mm x 400mm
VPHH 302	:	30mm \varnothing x 350mm x 500mm
VPHH 303	:	30mm \varnothing x 800mm x 1000mm
VPHH 304	:	32mm \varnothing x 1000mm x 1200mm
VPHH 305	:	38mm \varnothing x 400mm x 800mm
VPHH 306	:	38mm \varnothing x 600mm x 1000mm
VPHH 307	:	38mm \varnothing x 800mm x 1200mm

Finishes:  PSS - Polished Stainless Steel
 SSS - Satin Stainless Steel

S-Pull Handle



FEATURES:

- Available in bolt through (BT) or back to back (BB) assembly
- Other sizes available on special request

VPHH 401	:	25mm \varnothing x 300mm x 400mm
VPHH 402	:	30mm \varnothing x 350mm x 500mm
VPHH 403	:	30mm \varnothing x 800mm x 1000mm
VPHH 404	:	32mm \varnothing x 1000mm x 1200mm
VPHH 405	:	38mm \varnothing x 400mm x 800mm
VPHH 406	:	38mm \varnothing x 600mm x 1000mm
VPHH 407	:	38mm \varnothing x 800mm x 1200mm

Finishes:  PSS - Polished Stainless Steel
 SSS - Satin Stainless Steel



Oval T Pull Handle



FEATURES:

- Available in bolt through (BT) or back to back (BB) assembly
- Other sizes available on special request

VPHH 501	:	20mm \varnothing x 300mm x 400mm
VPHH 502	:	20mm \varnothing x 400mm x 500mm
VPHH 503	:	20mm \varnothing x 500mm x 600mm
VPHH 504	:	20mm \varnothing x 700mm x 800mm
VPHH 505	:	20mm \varnothing x 900mm x 1000mm
VPHH 506	:	20mm \varnothing x 1100mm x 1200mm
VPHH 507	:	20mm \varnothing x 1300mm x 1400mm

Finishes:  PSS - Polished Stainless Steel
 SSS - Satin Stainless Steel

T-Pull Handle



FEATURES:

- Available in bolt through (BT) or back to back (BB) assembly
- Other sizes available on special request

VPHH 601	:	25mm x 300mm x 450mm
VPHH 602	:	25mm x 450mm x 600mm
VPHH 603	:	25mm x 600mm x 775mm
VPHH 604	:	25mm x 800mm x 1000mm
VPHH 605	:	25mm x 1000mm x 1200mm
VPHH 606	:	25mm x 1200mm x 1400mm
VPHH 607	:	25mm x 1400mm x 1600mm
VPHH 608	:	25mm x 1600mm x 1800mm

Finishes:  PSS - Polished Stainless Steel
 SSS - Satin Stainless Steel

Pull Handle

Pull Handle



FEATURES:

- Available in bolt through (BT) or back to back (BB) assembly
- Other sizes available on special request

VPHH 701	:	30mm x 10mm x 300mm
VPHH 702	:	30mm x 10mm x 450mm
VPHH 703	:	30mm x 10mm x 600mm
VPHH 704	:	30mm x 10mm x 900mm
VPHH 705	:	30mm x 10mm x 1200mm

Finishes:  PSS - Polished Stainless Steel
 SSS - Satin Stainless Steel


Pull Handle



FEATURES:

- Available in bolt through (BT) or back to back (BB) assembly
- Other sizes available on special request

VPHH 801	:	29mm x 280mm x 380mm
VPHH 802	:	29mm x 350mm x 410mm

Finishes:  PSS - Polished Stainless Steel
 SSS - Satin Stainless Steel

Pull Handle



FEATURES:

- Available in bolt through (BT) or back to back (BB) assembly on square rose
- Other sizes available on special request

- VPHH 901** : 25mm x 300mm
- VPHH 902** : 25mm x 450mm
- VPHH 903** : 25mm x 600mm
- VPHH 904** : 25mm x 750mm
- VPHH 905** : 25mm x 900mm
- VPHH 906** : 25mm x 1200mm
- VPHH 921** : 19mm x 150mm
- VPHH 922** : 19mm x 225mm
- VPHH 923** : 19mm x 300mm
- VPHH 924** : 19mm x 450mm
- VPHH 925** : 19mm x 600mm

- Finishes:**
-  PSS - Polished Stainless Steel
 -  SSS - Satin Stainless Steel



Pull Handle



FEATURES:

- Available in bolt through (BT) or back to back (BB) assembly on square rose
- Other sizes available on special request

- VPHH 951** : 20mm x 150mm
- VPHH 952** : 20mm x 225mm
- VPHH 953** : 20mm x 300mm
- VPHH 954** : 20mm x 450mm
- VPHH 955** : 20mm x 600mm

- Finishes:**
-  PSS - Polished Stainless Steel
 -  SSS - Satin Stainless Steel

Pull Handle



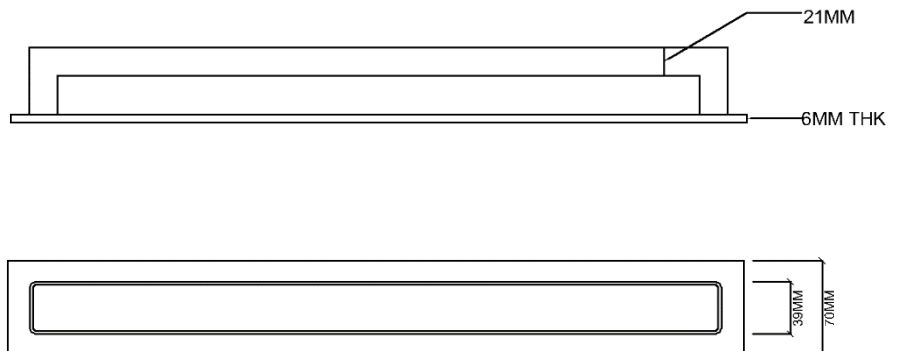
FEATURES:

- Available in bolt through (BT) or back to back (BB) assembly
- Other sizes available on special request
- Pull Handle on 6mm THK Plate
- 50mm Projection
- Manufactured from Grade 304 Stainless Steel (Grade 316 available upon special request).

VPHH 1101 : 39mm x 50mm x 520mm on
70mm x 550mm x 6mm THK Plate

Finishes:

-  SSS - Satin Stainless Steel
-  MSN - Matte Satin Nickel
-  BSN - Black Satin Nickel
-  SN - Satin Nickel



Pull Handle



FEATURES:

- Available in bolt through (BT) or back to back (BB) assembly
- Available on round rose (RR) or back plate (BP) – engraved “PUSH / PULL” to order
- Other sizes available on special request

VPHH 1201 : 20mm \varnothing x 280mm x 380mm

VPHH 1202 : 20mm \varnothing x 350mm x 410mm

Finishes:

	PSS - Polished Stainless Steel
	SSS - Satin Stainless Steel
	BLK – Black
	AB – Antique Bronze
	PVD – Physical Vapor Deposition

Pull Handle



FEATURES:

- Available in bolt through (BT) or back to back (BB) assembly
- Other sizes available on special request
- W x T x L

VPHH 1301 : 25mm \varnothing x 10mm x 300mm

VPHH 1302 : 25mm \varnothing x 13mm x 450mm

VPHH 1303 : 25mm \varnothing x 25mm x 500mm

VPHH 1304 : 30mm \varnothing x 15mm x 450mm






VPHH 1305 : 30mm \varnothing x 15mm x 600mm

VPHH 1306 : 32mm \varnothing x 16mm x 600mm

VPHH 1307 : 40mm \varnothing x 20mm x 600mm

VPHH 1308 : 40mm \varnothing x 30mm x 800mm

Finishes:

	PSS - Polished Stainless Steel
	SSS - Satin Stainless Steel
	BLK – Black
	AB – Antique Bronze
	PVD – Physical Vapor Deposition

Pull Handle



FEATURES:

- Available in bolt through (BT) or back to back (BB) assembly
- Other sizes available on special request
- W x T x L

- VPHH 1401** : 15mm \varnothing x 30mm x 600mm
VPHH 1402 : 16mm \varnothing x 32mm x 600mm
VPHH 1403 : 30mm \varnothing x 40mm x 600mm

- Finishes:**
-  PSS - Polished Stainless Steel
 -  SSS - Satin Stainless Steel
 -  BLK – Black
 -  AB – Antique Bronze
 -  PVD – Physical Vapor Deposition






Pull Handle



FEATURES:

- Available in bolt through (BT) or back to back (BB) assembly
- Other sizes available on special request
- W x T x CC x L

- VPHH 1501** : 40mm \varnothing x 10mm x 300mm x 450mm
VPHH 1502 : 40mm \varnothing x 10mm x 400mm x 550mm
VPHH 1503 : 40mm \varnothing x 10mm x 450mm x 600mm
VPHH 1504 : 40mm \varnothing x 20mm x 300mm x 450mm
VPHH 1505 : 40mm \varnothing x 20mm x 400mm x 550mm

- Finishes:**
-  PSS - Polished Stainless Steel
 -  SSS - Satin Stainless Steel
 -  BLK – Black
 -  AB – Antique Bronze
 -  PVD – Physical Vapor Deposition

Pull Handle



FEATURES:

- Available in bolt through (BT) or back to back (BB) assembly
- Other sizes available on special request

VDZP 101 340mm HT x 60m Projection

Finishes:  SN - Satin Nickel

Pull Handle



FEATURES:

- Available in bolt through (BT) or back to back (BB) assembly
- Other sizes available on special request

VDZP 102 : 85mm x 65mm x 390mm

Finishes:  MSN - Matte Satin Nickel

Pull Handle



FEATURES:

- Available in bolt through (BT) or back to back (BB) assembly
- Other sizes available on special request

VPHH 1601 : 16mm x 600mm x 75mm Projection
VPHH 1602 : 16mm x 1250mm x 75mm Projection

Finishes:

	PSS - Polished Stainless Steel
	SSS - Satin Stainless Steel
	AB - Antique Bronze
	PVD – Physical Vapor Deposition

Pull Handle



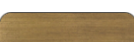



FEATURES:

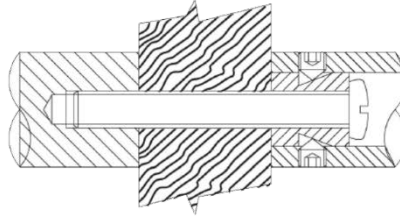
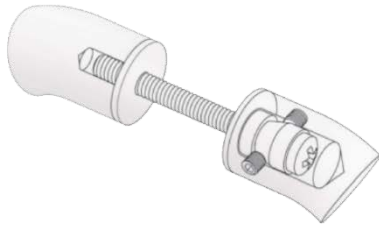
- Available in bolt through (BT) or back to back (BB) assembly
- Other sizes available on special request

VPHH 1701 35mm x 450mm x 56mm projection
VPHH 1702 35mm x 600mm x 56mm projection
VPHH 1703 35mm x 1000mm x 56mm projection

Finishes:

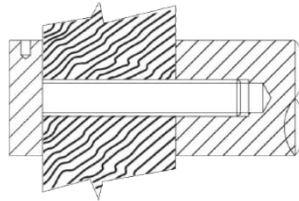
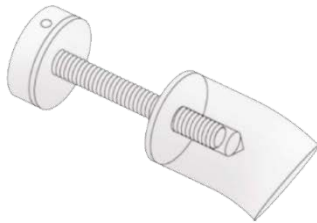
	PSS - Polished Stainless Steel
	SSS - Satin Stainless Steel
	AB - Antique Bronze
	PVD – Physical Vapor Deposition

Back to Back Fixing



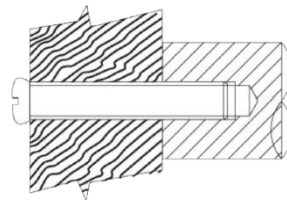
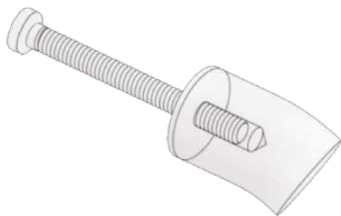
For wood / metal Doors
For glass door should be
with plastic kit

Bolt Through Fixing with Cover Caps



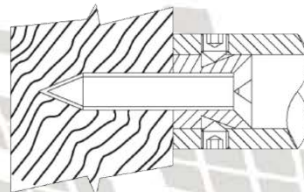
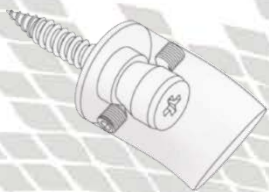
For wood / metal Doors
For glass door should be
with plastic kit

Bolt Through Fixing



For wood / metal Doors

Concealed Fixing



For wood door only

VOSET®

Architectural Hardware



DOOR CLOSER

VOSET offers a wide range of door closer to suit most application and projects.
Available in variety of size, cover design and finishes.

Depending on their function, Products are tried and fully tested to the latest BS
EN standards with full certification and CE marking where applicable.

BS EN 1154 – CONTROLLED DOOR CLOSING DEVICES

The standard provides details on product types, classification by use, test cycles, door mass, corrosion resistance, as well as definitions, product performance requirements, test apparatus, test methods and marking of products.

BS EN 1154 classifies door furniture by using an 6 digit coding system. Each digit refers to a particular feature of the product measured against the standard's performance requirements.

DIGIT 1: CATEGORY OF USE

For all internal and external doors for use by the public, and others, with little incentive to take care, i.e. where there is some chance of misuse of the door.

Grade 3: For closing doors from at least 105° open.

Grade 4: For closing doors from 180° open.

Note 1: Grade 4 classification assumes standard installation according to the manufacturer's instructions.

Note 2: For applications subject to extremes of abuse, or for particular limitations of opening angle, door closers incorporating a back check function or provision of a separate door stop should be considered.

DIGIT 2: NUMBER OF TEST CYCLES

Only one test duration is identified for door closers manufactured to this standard:

Grade 8: 500,000 cycles.

DIGIT 3: TEST DOOR MASS / SIZE

Seven test door mass grades and related door closer power sizes are identified according to table below of this standard. Where a door closer provides a range of power sizes both the minimum and the maximum sizes shall be identified.

Door Closer Power Size	Recommended Maximum Door Leaf Width (mm)	Test Door Mass (kg)
1	<750	20
2	850	40
3	950	60
4	1100	80
5	1250	100
6	1400	120
7	1600	160

Note 1: The door widths given are for standard installations. In the case of unusually high or heavy doors, windy or draughty conditions, or special installations, a larger power size of door closer should be used.

Note 2: The test door masses shown are only related to door closer power sizes for the purpose of the test procedure. These test door masses are not intended to indicate maximum values for actual use.

DIGIT 4: FIRE BEHAVIOR

Two grades of fire behavior are identified for door closing devices manufactured to this standard:

Grade 0: Not suitable for use on fire/smoke door assemblies.

Grade 1: Suitable for use on fire/smoke door assemblies, subject to satisfactory assessment of the contribution of the door closer to the fire resistance of specified fire/smoke assemblies.

DIGIT 5: SAFETY

All door closers are required to satisfy the Essential Requirement of safety in use. Therefore only grade 1 is identified.

DIGIT 6: CORROSION RESISTANCE

Five grades of corrosion resistance are identified according to EN 1670:

Grade 0: No defined corrosion resistance

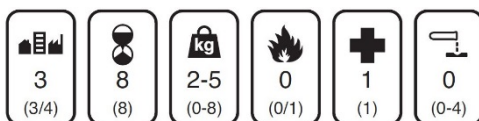
Grade 1: Mild resistance

Grade 2: Moderate resistance

Grade 3: High resistance

Grade 4: Very high resistance

EXAMPLE



The above marking denotes a closer capable of opening to at least 105°, and with ranging power size from size 2 to size 5. Note that as the 4th digit is zero, such a closer would not be suitable for fire door use.

TECHNICAL CONSIDERATIONS



This is the only pull-side installation where a double lever arm is used. It is the most power efficient application for a door closer. Since the arm assembly projects directly out from the door frame, the Regular Arm mounting may present aesthetic issues.



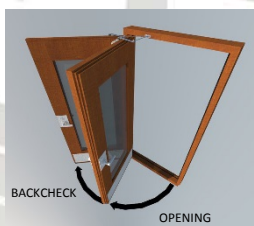
For efficiency reasons this application provides the best alternative to the Regular Arm mounting. Top Jamb mounting provides the best door control for doors in exterior walls that swing out of the building. The entire door closer and arm assemble project from the frame, similar to the Regular Arm mounting.



This installation provides the most appealing appearance for a over head surface mounted door closer having a double lever arm. It is on the push side of the door and the arm assembly extends almost parallel to the door. This installation also allow the door to swing 180°. Due to the geometry of the arm, it is approximately 25% less power efficient than Regular Arm or Top Jamb mounting.



Sweep speed (door closing speed) is the time frame from the start of the door closing to a couple inches before the door hits its latch point. Delay Action feature allows the door to remain open for a preset period of time before closing at an adjustable speed. The Latch Zone is the last few inches before the door hits its latch point. A properly adjusted door closer latch speed should never slam the door closed causing stress on the door and frame



Back check action provides resistance within the door closer to prevent the door leaf from being thrown open. This prevents damage to the door, door frame and door handles caused by people kicking or throwing the door open and also by the door being violently blown open by the wind. The angle and resistance of the back check can be varied according to your requirements. It is worth remembering that this facility puts extra strain on the door hinge.

VS 8500



FEATURES:

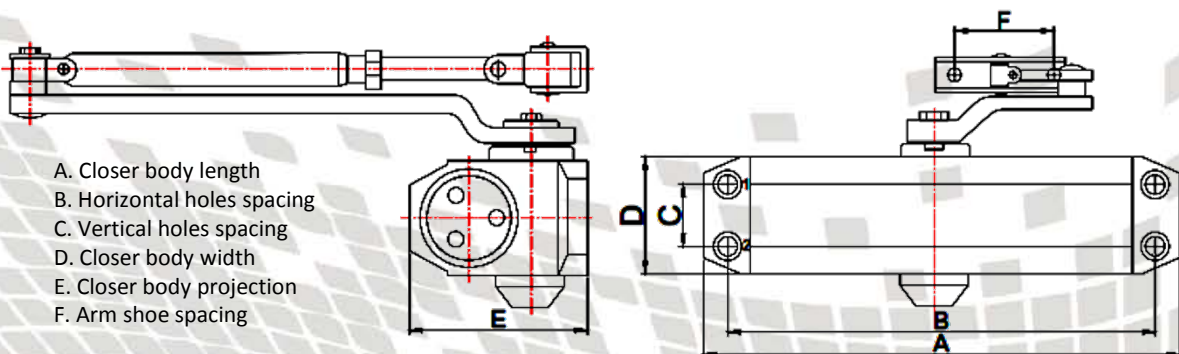
- Rack and Pinion Door Closer. Size EN 3
- Suitable for doors up to 950mm wide.
- For commercial and residential use
- BS EN 1154 compliance
- BS EN 1634 fire test compliance
- Adjustable closing and latching speed.
- Made by Cast Aluminium Alloy body
- Losing & Latch speed controlled by two independent regulating vales.
- Non-handed
- Bi-packed for Regular arm, Top Jamb application
- Manufactured By ISO 9001 Qualified Factory.
- Available colour: silver, bronze, gold and white, others colours upon special request.

Classification Code

4	8	3	1	1	1
---	---	---	---	---	---



Model	Technical Dimension (mm)						Closing Force	Door Weight (Kg)	Door Width (mm)
	A	B	C	D	E	F			
VS 8500	182	165	19	41	61	36	EN 3	40-60	950



- A. Closer body length
- B. Horizontal holes spacing
- C. Vertical holes spacing
- D. Closer body width
- E. Closer body projection
- F. Arm shoe spacing

VS 6424



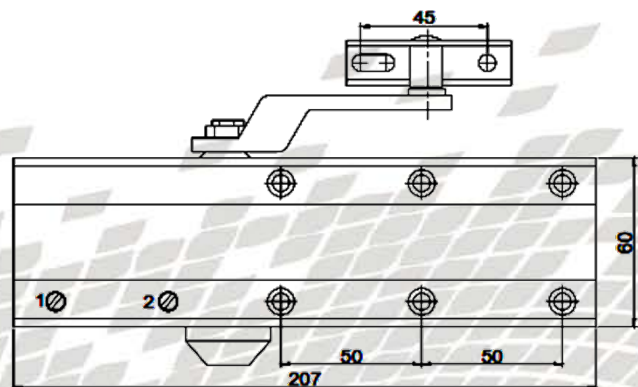
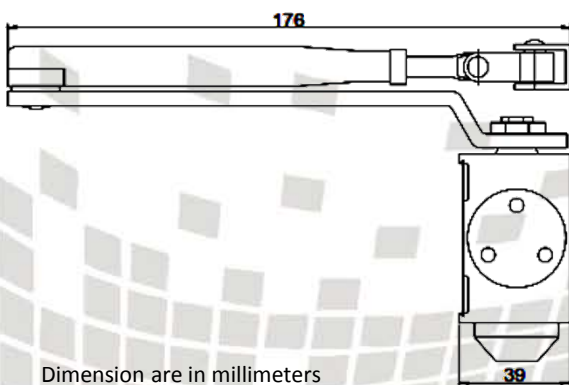
FEATURES:

- Rack and Pinion Door Closer. Size EN 4
- Suitable for doors up to 1100mm wide.
- For commercial and residential use
- BS EN 1154 & BS EN 1634 fire test compliance
- Adjustable closing and latching speed.
- Standard back check function
- Made by Cast Aluminium Alloy body
- Imported O seal ring & hydraulic oil, needle bearing, Anti-freeze oil is optional.
- Regular arm and Top Jamb application. Parallel arm is optional.
- Manufactured By ISO 9001 Qualified Factory.
- Available Finish: silver, bronze, gold and white, others colours upon special request.

Classification Code					
4	8	4	1	1	3



Model	Closing Force	Door Weight (Kg)	Door Width (mm)
VS 6424	EN 4	60-80	1100



Dimension are in millimeters

Door Closer

Surface Mounted Closer

VS 6525



FEATURES:

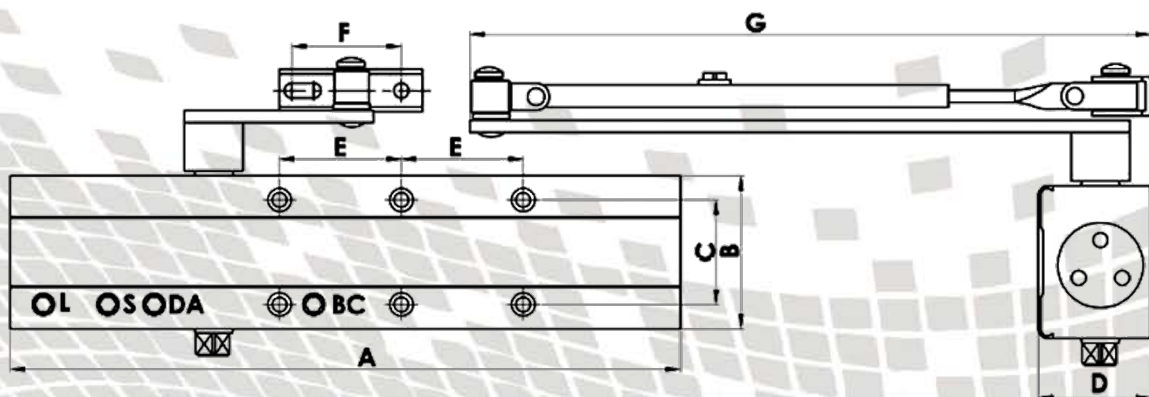
- Rack and Pinion Door Closer. Size EN 2-5
- Suitable for doors up to 1250mm wide.
- For commercial and residential use
- BS EN 1154 & BS EN 1634 fire test compliance
- Compliment bearing for High efficiency.
- Standard back check and delay action function
- Made by Cast Aluminium Alloy body
- Regular arm and Top Jamb application. Parallel arm is optional.
- Available Finish: silver, bronze, gold and white, others colours upon special request.

Classification Code

4	8	$\frac{2}{5}$	1	1	3
---	---	---------------	---	---	---



Model	Technical Dimension (mm)							Closing Force	Door Weight (Kg)	Door Width (mm)
	A	B	C	D	E	F	G			
VS 6525	236	63	43	46	50	280	45	EN 2-5	20-100	1250



840 FLOOR HINGES



DATA AND FEATURES		840
Variable closing force	Spring strength (EN)	2 To 5
Standard doors	≤850mm ≤70kg	842
	≤950mm ≤105kg	843
	≤1100mm ≤150kg	844
	≤1250mm ≤200kg	845
Body dimensions (mm)	Length	306
	Width	108
	Thick	40
Arm	Standard	v
	Offset arm	○
Cam-action		v
Angle of opening		130°
Sweep speed adjustable		v
Latching speed adjustable		v
Hold-open	Without hole-open	○
	at 90°hole-open	v
	at 105°hole-open	○
Back-check	Self-regulating	x
	Adjustable at valve	○
Delayed action adjustable		x
Non-handed		v
Guarantee/years		10 years

GUARANTEE:

A free replacement ex-works of any closer proved defective by reason either of faulty manufacture or defect in materials.

COVERPLATE FINISHES:

Satin, stainless steel or polished brass

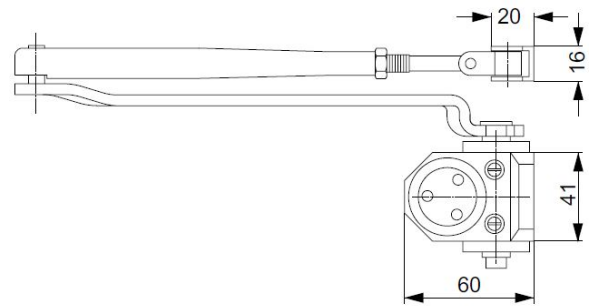
v =yes x=no ○=option

DC 110



ASSA ABLOY

The global leader in door opening solutions

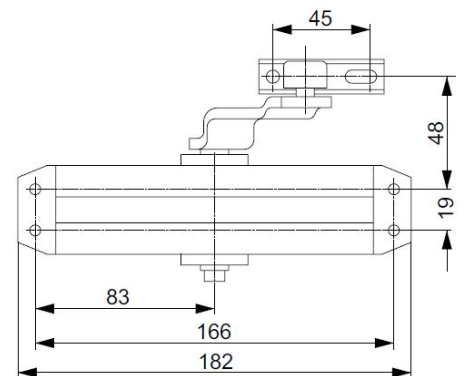


ASSA ABLOY DC110

- Rack and pinion door closer with link arm
- Certified in compliance with EN 1154, size 3
- For single action doors up to 950 mm

Characteristics DC110

- Can be used for left and right-handed doors
- Suitable for fire and smoke protection doors
- Closing and latching speed adjustable via regulating valves
- Thermodynamic valves for consistent performance
- Standard colours: silver EV1; white, similar to RAL9016; black, similar to RAL9005



Technical attributes	
Closing force	EN 3
Door width up to	950 mm
Fire and smoke protection	yes
Door swing directions	Left / right handed
Closing speed	Variable between 180°-0°
Latching speed	Variable between 15°-0°
Weight	1,5 kg
Height	41 mm
Depth	60 mm
Length	182 mm
Certified in compliance with	EN 1154
CE marking for building products	yes

CE	ASSA ABLOY AUBE ANJOU 10 avenue de L'Europe Parc d'Enterprises du Grand Troyes 10300 Sainte Savine	04
	1121-CPD-AD0054 EN 1154:1996+A1:2002	3 8 3 1 1 3
Dangerous substances: None		

Door Closer

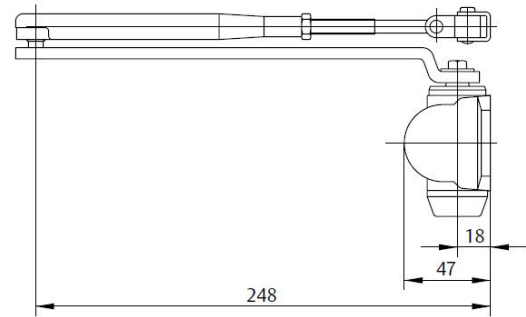
Surface Mounted Closer

DC 120



ASSA ABLOY

The global leader in door opening solutions

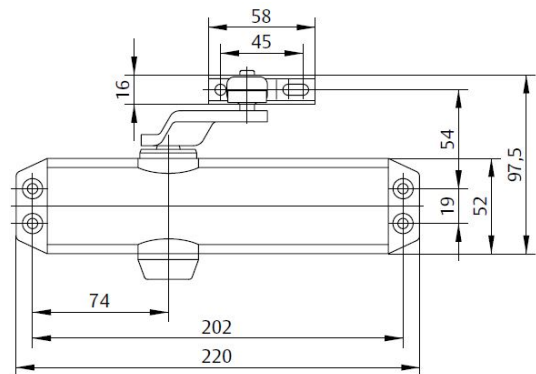


ASSA ABLOY DC120

- Rack and pinion door closer with link arm
- Certified in compliance with EN 1154, size 2/3/4
- For single action doors up to 1100 mm

Characteristics DC120

- Can be used for left and right-handed doors
- Suitable for fire and smoke protection doors
- Closing speed, latching speed and backcheck continuously adjustable using regulating valves
- Thermodynamic valves for consistent performance
- Closing force configurable
- Opening angle up to 180° (105° in mounting position EN size 4)
- Standard colours: silver EV1; white, similar to RAL9016; black, similar to RAL9005



Technical attributes	
Closing force configurable	EN 2/3 (4)
Door width up to	950 mm (1100 mm)
Fire and smoke protection	yes
Door swing directions	Left / right handed
Closing speed	Variable between 180°-0°
Latching speed	Variable between 15°-0°
Backcheck	Variable above 75°
Weight	1.6 kg
Height	52 mm
Depth	47 mm
Length	220 mm
Certified in compliance with	EN 1154
CE marking for building products	yes

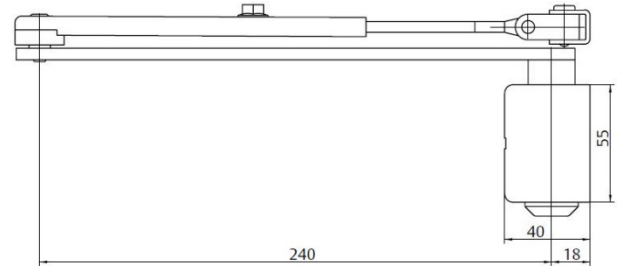
CE	ASSA ABLOY Sicherheitstechnik GmbH Bildstockstraße 20 72458 Albstadt	11
	1162-CPD-0535 EN 1154:1996+A1:2002 +AC:2006	
Dangerous substances: None		

DC 140



ASSA ABLOY

The global leader in door opening solutions

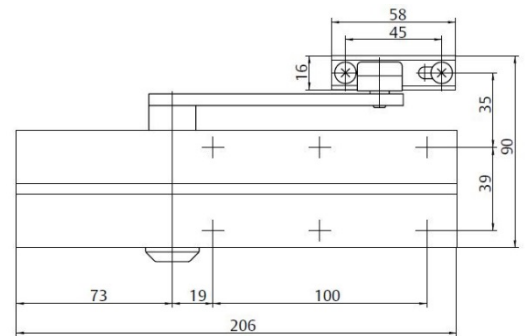


ASSA ABLOY DC140

- Rack and pinion door closer with link arm
- Certified in compliance with EN 1154, size 2/3/4
- For single action doors up to 1100 mm

Characteristics DC140

- Can be used for left and right-handed doors
- Suitable for fire and smoke protection doors
- Closing speed, latching speed and backcheck adjustable via front facing regulating valves
- Thermodynamic valves for consistent performance
- Closing force configurable
- Opening angle up to 180°
- Standard colours: silver EV1; white, similar to RAL9016; black, similar to RAL9005



Technical attributes	
Closing force configurable	EN 2/3/4
Door width up to	1100 mm
Fire and smoke protection	yes
Door swing directions	Left / right handed
Closing speed	Variable between 180°-0°
Latching speed	Variable between 15°-0°
Backcheck	Variable above 75°
Weight	1.75 kg
Height	55 mm
Depth	40 mm
Length	206 mm
Certified in compliance with	EN 1154
CE marking for building products	yes

CE	ASSA ABLOY	11
	Sicherheitstechnik GmbH Bildstockstraße 20 72458 Albstadt	
1162-CPD-0534	EN 1154:1996+A1:2002	4 8 2/3/4 1 1 4
Dangerous substances: None		

Door Closer

Surface Mounted Closer

680 EN CLOSER



680 DOOR CLOSER

Tested to EN 1154 **403113 403113**
by Warrington APT Laboratories, UK
Power Adjustable #2 to #4 by Position / by Springs
EN Fire Tested

DORINT 680 OVERHEAD DOOR CLOSER
NUMBER: 1121-CPD-AD0143

GUARANTEE:

A free replacement ex-works of any closer proved defective by reason either of faulty manufacture or defect in materials.

POWER SHOE ARM BRACKET:

Designed to be reversed to increase final closing power by approximately 15%.

BACK CHECK:

Provides a cushioning effect when the door is forcibly thrown open but does not serve as substitute for a door stop.

STANDARD FINISHES:

Silver, dark brown or gold, other finishes upon request.

DATA AND FEATURES		680	6825	6836
Variable closing force	Spring strength (EN)	2 To 4	2 To 5	3 To 6
Standard doors	≤750mm ≤20kg	x	x	x
	≤850mm ≤40kg	680	6825	x
	≤950mm ≤60kg	680	6825	6836
	≤1100mm ≤80kg	680	6825	6836
	≤1250mm ≤100kg	x	6825	6836
Body dimensions (mm)	≤1450mm ≤120kg	x	x	6836
	Length	220	248	297
	Height	59	59	62
Arm	Projection	42	42	46
	Standard	v	v	v
	Parallel	○	○	○
Track (standard)	Track (standard)	○	○	○
	Track (hold-open)	○	○	○
Rack and pinion		v	v	v
Power shoe arm bracket		v	v	v
Angle of opening		180°	180°	180°
Power adjustable by spring		x	v	v
Power adjustable by position		v	x	x
Sweep speed adjustable		v	x	x
Latching speed adjustable		v	v	v
Hold-open	Built in	x	x	x
	Hold open arm	○	○	○
Back-check	Self-regulating	x	x	x
	Adjustable at valve	x	○	○
Delayed action adjustable		x	x	x
Non-handed		v	v	v
With cover		○	○	○
Application	Regular (1)	v	v	v
	Parallel arm (66)	○	○	○
	Transom (61)	v	v	v
Guarantee/years		10 years	10 years	10 years

v =yes x=no ○=option

Door Closer

Surface Mounted Closer

770 ECONOMICAL CLOSER



Door Closer

Surface Mounted Closer

770 DOOR CLOSER
Power Adjustable #2 to #4 by Position
EN Fire Tested
by Warrington APT Laboratories, UK

GUARANTEE:

A free replacement ex-works of any closer proved defective by reason either of faulty manufacture or defect in materials.

POWER SHOE ARM BRACKET:

Designed to be reversed to increase final closing power by approximately 15%.

BACK CHECK:

Provides a cushioning effect when the door is forcibly thrown open but does not serve as substitute for a door stop.

STANDARD FINISHES:

Silver, dark brown or gold, other finishes upon request.

DATA AND FEATURES		770
Variable closing force	Spring strength (EN)	2 To 4
	≤750mm ≤20kg	x
	Standard doors	770
	≤850mm ≤40kg	770
	≤950mm ≤60kg	770
	≤1100mm ≤80kg	770
	≤1250mm ≤100kg	x
	≤1450mm ≤120kg	x
	Body dimensions (mm)	Length
	Height	42
	Projection	64
	Arm	Standard
	Parallel	○
	Track (standard)	○
	Track (hold-open)	○
Rack and pinion		v
Power shoe arm bracket		v
Angle of opening		180°
Power adjustable by spring		x
Power adjustable by position		v
Sweep speed adjustable		v
Latching speed adjustable		v
Hold-open	Built in	○
	Hold open arm	○
Back-check	Self-regulating	x
	Adjustable at valve	○
Delayed action adjustable		x
Non-handed		v
With cover		○
Application	Regular (1)	v
	Parallel arm (66)	○
	Transom (61)	v
Guarantee/years		5 years

v =yes x=no ○=option

730 EN CLOSER



WITH COVER

730 EN CLOSER

CE NUMBER: 1121
Tested to EN 1154 **483113**
by Warrington APT Laboratories, UK
Power Adjustable by Position
EN Fire Tested

DORINT 730 OVERHEAD DOOR CLOSER
NUMBER: 1121-CPD-AD0093

GUARANTEE :

A free replacement ex-works of any closer proved defective by reason either of faulty manufacture of defect in materials.

POWER SHOE ARM BRACKET :

Designed to be reversed to increase final closing power by approximately 15%.

BACK CHECK :

Provides a cushioning effect when the door is forcibly thrown open but does not serve as substitute for a door stop.

DELAYED ACTION :

Provides prolonged closing time to assist passage of trolleys, wheel chairs, elderly people etc.

STANDARD FINISHES :

Silver, dark brown or gold, other finishes upon request.

DATA AND FEATURES		733	735
Variable closing force	Spring strength (EN)	2 To 4	4 To 6
Standard doors	≤850mm ≤40kg	733	x
	≤950mm ≤60kg	733	x
	≤1100mm ≤80kg	733	735
	≤1250mm ≤100kg	x	735
Body dimensions (mm)	≤1450mm ≤120kg	x	735
	Length	207	246
	Height	60	62
Arm	Projection	39	45
	Standard	v	v
	Parallel	○	○
Track (standard)	Track (standard)	○	○
	Track (hold-open)	○	○
Rack and pinion		v	v
Power shoe arm bracket		v	v
Angle of opening		180°	180°
Power adjustable by spring		x	x
Power adjustable by position		v	v
Sweep speed adjustable		v	v
Latching speed adjustable		v	v
Hold-open	Built in	x	x
	Hold open arm	○	○
Back-check	Self-regulating	○	○
	Adjustable at valve	○	○
Delayed action adjustable		○	○
Non-handed		v	v
With cover		○	○
Application	Regular (1)	v	v
	Parallel arm (66)	○	○
	Transom (61)	v	v
Guarantee/years		10 years	10 years

v=yes x=no ○=option

Door Closer

Surface Mounted Closer

830 EN CLOSER



WITH COVER

Door Closer

Overhead Door Closer

830 EN CLOSER

CE Tested to EN 1154 **483113**
by Warrington APT Laboratories, UK
Power Adjustable by Spring
EN Fire Tested

NUMBER: 1121

GUARANTEE :

A free replacement ex-works of any closer proved defective by reason either of faulty manufacture or defect in materials.

POWER SHOE ARM BRACKET :

Designed to be reversed to increase final closing power by approximately 15%.

BACK CHECK :

Provides a cushioning effect when the door is forcibly thrown open but does not serve as substitute for a door stop.

DELAYED ACTION :

Provides prolonged closing time to assist passage of trolleys, wheel chairs, elderly people etc.

STANDARD FINISHES :

Silver, dark brown or gold, other finishes upon request.

DATA AND FEATURES		835	836
Variable closing force	Spring strength (EN)	2 To 5	3 To 6
Standard doors	≤850mm ≤40kg	835	x
	≤950mm ≤60kg	835	836
	≤1100mm ≤80kg	835	836
	≤1250mm ≤100kg	835	836
Body dimensions (mm)	1450mm 120kg	x	836
	Length	236	275
	Height	60	62
	Projection	39	45
	Arm		
	Standard	v	v
	Parallel	○	○
	Track (standard)	○	○
	Track (hold-open)	○	○
Rack and pinion		v	v
Power shoe arm bracket		v	v
Angle of opening		180°	180°
Power adjustable by spring		v	v
Power adjustable by position		x	x
Sweep speed adjustable		v	v
Latching speed adjustable		v	v
Hold-open	Built in	x	x
	Hold open arm	○	○
Back-check	Self-regulating	x	x
	Adjustable at valve	○	v
Delayed action adjustable		○	○
Non-handed		v	v
With cover		○	○
Application	Regular (1)	v	v
	Parallel arm (66)	○	○
	Transom (61)	v	v
Guarantee/years		10 years	20 years

v = yes x = no ○ = option

915 EN CLOSER



WITH COVER

915 EN CLOSER

CE NUMBER: 1121

Tested to EN 1154 **482113**
by Warrington APT Laboratories, UK
Power Adjustable by Spring
EN Fire Tested

DORINT 915 OVERHEAD DOOR CLOSER
NUMBER: 1121-CPD-AD0094

GUARANTEE:

A free replacement ex-works of any closer proved defective by reason either of faulty manufacture or of defect in materials.

POWER SHOE ARM BRACKET:

Designed to be reversed to increase final closing power by approximately 15%.

BACK CHECK:

Provides a cushioning effect when the door is forcibly thrown open but does not serve as substitute for a door stop.

DELAYED ACTION:

Provides prolonged closing time to assist passage of trolleys, wheel chairs, elderly people etc.

STANDARD FINISHES:

Silver, dark brown or gold, other finishes upon request.

DATA AND FEATURES		915
Variable closing force	Spring strength (EN)	2 To 5
Standard doors	≤850mm ≤40kg	915
	≤950mm ≤60kg	915
	≤1100mm ≤80kg	915
Body dimensions (mm)	≤1250mm ≤100kg	915
	Length	236
	Height	55
Arm	Projection	39
	Standard	v
	Parallel	○
Track (standard)	Track (standard)	○
	Track (hold-open)	○
Rack and pinion		v
Power shoe arm bracket		v
Angle of opening		180°
Power adjustable by spring		v
Power adjustable by position		x
Sweep speed adjustable		v
Latching speed adjustable		v
Hold-open	Built in	x
	Hold open arm	○
Back-check	Self-regulating	x
	Adjustable at valve	○
Delayed action adjustable		○
Non-handed		v
With cover		○
Application	Regular (1)	v
	Parallel arm (66)	○
	Transom (61)	v
Guarantee/years		20 years

v =yes

x=no

○=option

380 CONCEALED CLOSER



380 SERIES

Power #1, #2, #3,
Thickness 32 mm
EN Fire Tested
by Warrington APT Laboratories, UK

GUARANTEE:

A free replacement ex-works of any closer proved defective by reason either of faulty manufacture or defect in materials.

BACK CHECK:

Provides a cushioning effect when the door is forcibly thrown open but does not serve as substitute for a door stop.

STANDARD FINISHES:

Silver, dark brown or gold, other finishes upon request.

DATA AND FEATURES		380
Variable closing force	Spring strength (EN)	1 To 3
Standard doors	≤850mm ≤40kg	381
	≤950mm ≤60kg	382
	≤1100mm ≤80kg	383
	≤1250mm ≤100kg	x
	≤1450mm ≤120kg	x
	Body dimensions (mm)	
	Length	230
	Height	57
	Projection	32
Arm	Standard	v
	Parallel	x
	Track (standard)	v
	Track (hold-open)	v
Rack and pinion		v
Power shoe arm bracket		x
Angle of opening		120°
Power adjustable by spring		x
Power adjustable by position		x
Sweep speed adjustable		v
Latching speed adjustable		v
Hold-open	Built in	x
	Hold open arm	v
Back-check	Self-regulating	v
	Adjustable at valve	x
Delayed action adjustable		x
Non-handed		v
Application	Regular (1)	x
	Parallel arm (66)	x
	Tansom (61)	x
Guarantee/years		5 years

v =yes

x=no

○=option

Door Closer

Concealed Closer

385 CONCEALED CLOSER



385 SERIES

Power Adjustable #2 to #4 by Spring
Thickness 37 mm
Back Check [Optional]
EN Fire Tested
by Warrington APT Laboratories, UK

GUARANTEE:
A free replacement ex-works of any closer proved defective by reason either of faulty manufacture or defect in materials.

BACK CHECK:
Provides a cushioning effect when the door is forcibly thrown open but does not serve as substitute for a door stop.

STANDARD FINISHES:
Silver, dark brown or gold, other finishes upon request.

DATA AND FEATURES		385
Variable closing force	Spring strength (EN)	3 To 5
Standard doors	≤850mm ≤40kg	x
	≤950mm ≤60kg	x
	≤1100mm ≤80kg	385
	≤1250mm ≤100kg	385
Standard doors	≤1450mm ≤120kg	385
	Body dimensions (mm)	
	Length	239
	Height	61
	Projection	37
Arm	Standard	v
	Parallel	x
	Track (standard)	v
	Track (hold-open)	v
Rack and pinion		v
Power shoe arm bracket		x
Angle of opening		120°
Power adjustable by spring		v
Power adjustable by position		x
Sweep speed adjustable		v
Latching speed adjustable		v
Hold-open	Built in	x
	Hold open arm	v
Back-check	Self-regulating	v
	Adjustable at valve	○
Delayed action adjustable		x
Non-handed		v
Application	Regular (1)	x
	Parallel arm (66)	x
	Transom (61)	x
Guarantee/years		5years

v =yes x=no ○=option

TS 320



TS320 SURFACE MOUNTING DOOR CLOSERS



Tested to EN 1154 **403113**
by Warrington APT Laboratories, UK
Power size 3 and fire tested

DATA AND FEATURES		TS320
Variable closing force	Spring strength (EN)	2 To 4
Standard doors	≤850mm ≤40kg	TS320
	≤950mm ≤60kg	TS320
	≤1100mm ≤80kg	TS320
Body dimensions (mm)	Length	210
	Height	53.5
	Projection	32
Arm	Standard	x
	Parallel	x
Track (standard)		v
	Track (hold-open)	v
Rack and pinion		x
Power shoe arm bracket		x
Angle of opening		120°
Power adjustable by spring		v
Power adjustable by position		x
Sweep speed adjustable		v
Latching speed adjustable		v
Hold-open	Built in	x
	Hold open arm	x
Back-check	Self-regulating	x
	Adjustable at valve	x
Delayed action adjustable		x
Non-handed		v
Application	Regular (1)	○
	Parallel arm (66)	x
	Transom (61)	○
Guarantee/years		10 years

GUARANTEE:

A free replacement ex-works of any closer proved defective by reason either of faulty manufacture or defect in materials.

BACK CHECK:

Provides a cushioning effect when the door is forcibly thrown open but does not serve as substitute for a door stop.

STANDARD FINISHES:

Silver, dark brown or gold, other finishes upon request.

v =yes x=no ○=option

Door Closer

Sliding Arm Surface Closer

VOSET[®]

Architectural Hardware



EXIT DEVICE

The **VOSET** Exit Device has been designed to provide safe emergency egress (exit) from a building, they also allow barrier free access, and comply with EN1125 + Fire rate EN1634. Furthermore, exit devices encourage increased security with authorized entrance features and fail safe exit designs. They also contain fire and smoke through compartmentalization.

Exit devices are used on doors that must be latched and provide an exit in emergencies. Examples of this include stairwell doors, cross corridor doors, exit doors and exit only doors.

BS EN 1125 – PANIC EXIT DEVICES

Experience relating to escape from buildings and general safety have made it desirable that doors at final exits in public buildings, places of entertainment, shops, etc. should be fitted with panic devices operated by a horizontal bar. The emphasis for products covered by this standard is on safe exit rather than security.

These standards provide details on product types, classification by use, test cycles, door mass, corrosion resistance, as well as definitions, product performance requirements, test apparatus, test methods and marking of products.

The main purpose of the performance requirements of this standard is to give safe and effective escape through a doorway with minimum effort and without prior knowledge of the device, i.e. for locked doors on escape routes where panic situations can be foreseen.

BS EN 1125 classifies panic exit devices by using a 10 digit coding system. Each digit refers to a particular feature of the product measured against the standard's performance requirements.

DIGIT 1: CATEGORY OF USE

One category is identified:

Grade 3: High frequency of use by public and others with little incentive to exercise care.

DIGIT 2: NUMBER OF TEST CYCLES

Two categories of durability are defined:

Grade 6: 100,000 cycles.

Grade 7: 200,000 cycles.

DIGIT 3: TEST DOOR MASS

Three categories of test door mass are identified:

Grade 5: up to 100 kg.

Grade 6: up to 200 kg.

Grade 7: over 200 kg.

DIGIT 4: FIRE RESISTANCE

Three categories of fire door resistance are identified:

Grade 0: Not approved for use on fire/smoke door assemblies.

Grade A: Suitable for use on smoke door assemblies, subject to satisfactory assessment of the contribution of the panic/emergency device to the smoke resistance of specified smoke door assemblies.

Grade B: Suitable for use on fire/smoke door assemblies, subject to satisfactory assessment of the contribution of the panic/emergency device to the fire resistance of specified fire/smoke door assemblies.

DIGIT 5: SAFETY

All panic and emergency devices have a critical safety function therefore only the top grade - 1 - is identified.

DIGIT 6: CORROSION RESISTANCE

Two grades of corrosion resistance are identified according to EN 1670:

Grade 3: High resistance (96 salt spray hours).

Grade 4: Very high resistance (240 salt spray hours).

DIGIT 7: SECURITY

Only one category of security is identified:

Grade 2: 1000 N panic devices are primarily for the operation of a door from the inside. Safety considerations will always be given priority over security.

DIGIT 8: PROJECTION OF DEVICES

Two grades are identified relating to the projection of the device from the door face:

- Grade 1:** Projection up to 150 mm (large projection).
- Grade 2:** Projection up to 100 mm (standard projection).

DIGIT 9: TYPE OF DEVICE

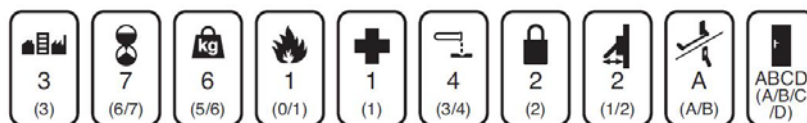
Two categories are identified for each standard:

- Grade A:** Panic device with push bar operation.
- Grade B:** Panic device with touch bar operation.

DIGIT 10: FIELD OF APPLICATION

- A. Outward opening** - Single & double exit doors; active & inactive leaf.
- B. Outward opening** - Single exit door only.
- C. Outward opening** - Double exit door; inactive door.

EXAMPLE



The above marking denotes a panic exit device tested to 200 000 operations for a door mass up to 200 kg, suitable for fire door use with very high corrosion resistance with standard bar projection for use on single & double doors.

CE MARKING

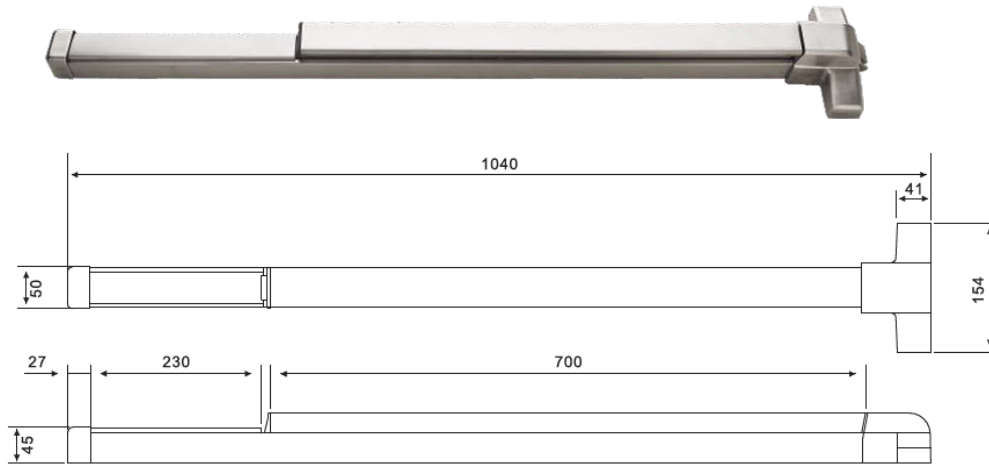
As panic and emergency exit devices have a critical safety function, application of the CE mark will require the involvement of a notified certification body to provide verification of the compliance claims. This will involve initial type-testing of the product to EN 1125, initial inspection of the manufacturer's factory production control and continuing surveillance and approval of the factory production control. On satisfactory fulfilment of these tasks, the notified body issues an EC Certificate of Conformity which then permits the manufacturer to declare compliance and affix the CE marking to his product.

TECHNICAL CONSIDERATION

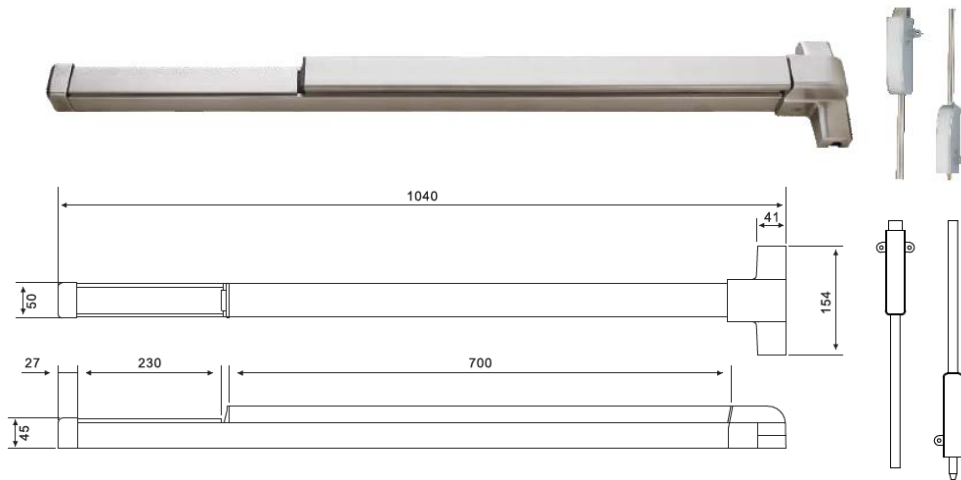
There are three situations in which exit devices should always be used. These include:

- High occupancy areas, where there is a concern for exiting in an emergency.
- Perimeter security, where there is a restricted, authorized entrance with provisions for exit under alarm conditions.
- Security systems, where there is a need for access control.

VSED-1301S



VSED-1306S – Vertical Rod Type



DATA AND FEATURES		VSED-1301S	VSED-1306S
Lock Point		1	2
Standard Doors (single leaf / double leaf)		●	●
Door Width	≤ 465 mm ≤ 650 mm	○	○
	< 650 mm ≤ 1320 mm	●	●
Door Height	≤ 2133 mm	●	●
	≤ 3200 mm	○	○
Maximum Door Weight (Kg)		200	200
Non-handed Design		●	●
Dogging Device		○	○
Security Anti-thrust Latch		●	—
For Fire and Smoke Check Doors		●	●
For door leaf thickness up to 50mm		●	●
Extended handle spindle and bolts for door leaf thickness of 50 – 105mm		○	○
Approved to EN1125		●	●
Fire Rated to EN1634		●	●
CE Marked for building products		●	●
Materials	Stainless Steel Grade 304	●	●
	Steel, Painting	○	○

● = Yes — = No ○ = Option

Classification Code

3 7 6 B 1 4 2 2 B A/C





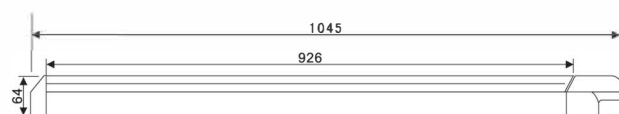
FULL LENGTH TOUCH BAR EXIT DEVICE



CMP 402



CMP 407



FEATURES AND SPECIFICATION:

CMP 400 SERIES

1. Certificated by ANSI/BHMAA156.3 grade1, UL305 and UL10C
2. UL listed, Fire rated
3. None Handed
4. Material: Stainless steel or steel powder coating
5. Difference finish is available

Feature	CMP402	CMP407
Lock Point	1	2
Touch Bar	926mm	926mm
Door Style	single and double door	
Max. Door weight	200 kg	200 kg
Dogging Device	Optional	Optional
Security Anti-Thrust latch	Standard	N/A
Door Width*	650-1800mm	650-1800mm
Door Height*	2133 mm	2133 mm
Door Thickness*	50mm	50mm

Classification Code

3 7 6 1 1 4 2 2 B A/C



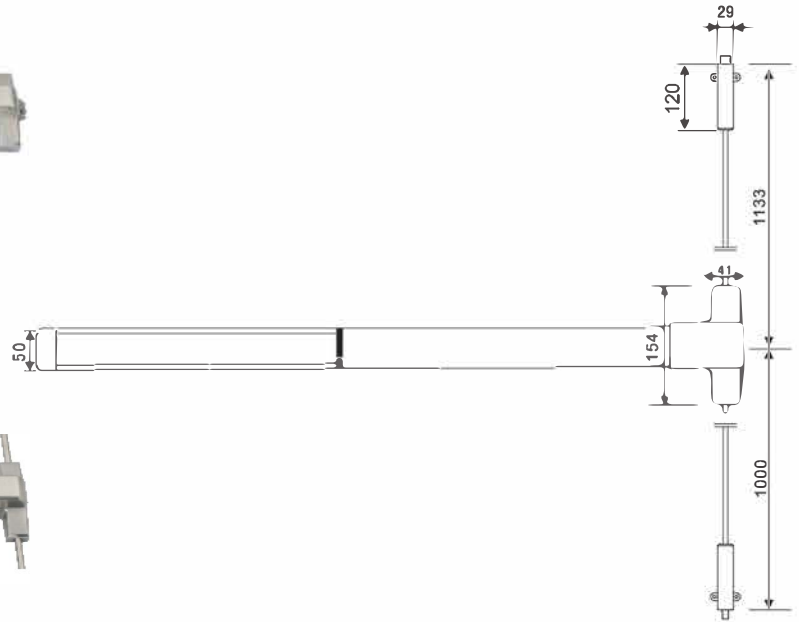
HALF LENGTH TOUCH BAR EXIT DEVICE



CMP 401



CMP 406



FEATURES AND SPECIFICATION:

CMP 400 SERIES

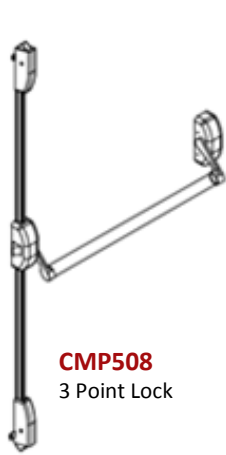
1. Certificated by ANSI/BHMAA156.3 grade1, UL305 and UL10C
2. UL listed, Fire rated
3. None Handed
4. Material: Stainless steel or steel powder coating
5. Difference finish is available

Feature	CMP401	CMP406
Lock Point	1	2
Touch Bar	500mm	500mm
Door Style	single and double door	
Max. Door weight	200 kg	200 kg
Dogging Device	Optional	Optional
Security Anti-Thrust latch	Standard	N/A
Door Width*	650-1000mm	650-1000mm
Door Height*	2133 mm	2133 mm
Door Thickness*	50mm	50mm

Classification Code

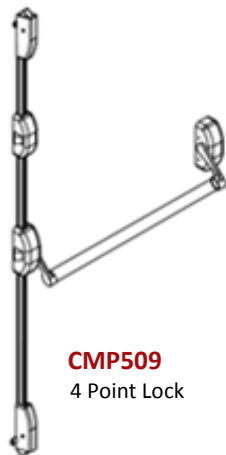
3 7 6 1 1 4 2 2 B A/C





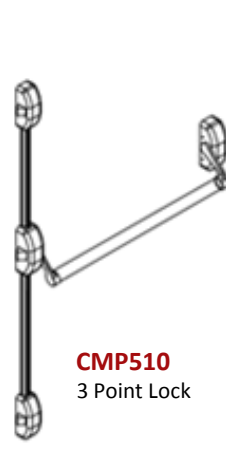
CMP508
3 Point Lock

by 3 Direction



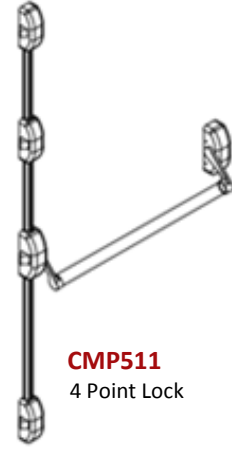
CMP509
4 Point Lock

by 3 Direction



CMP510
3 Point Lock

by 1 Direction

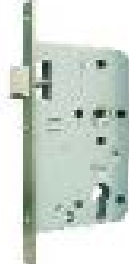


CMP511
4 Point Lock

by 1 Direction



American
Mortise Lock



European
Mortise Lock



Pullman
Latch



Lateral
Latch



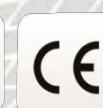
Lateral
Latch

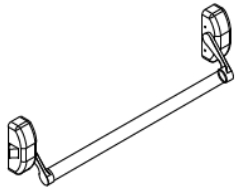
DATA AND FEATURES		CMP508	CMP509	CMP510	CMP511
Lock Point		3	4	3	4
Standard Doors	(single leaf / double leaf)	•	•	•	•
Door Width	≤ 1020 mm	•	•	•	•
	> 1020 mm	○	○	○	○
Door Height	≤ 2300 mm	•	•	•	•
	≤ 3200 mm	○	○	○	○
Maximum Door Weight (Kg)		200	200	200	200
Non-handed Design		•	•	•	•
Dogging Device		—	—	—	—
Security Anti-thrust Latch		•	•	•	•
For Fire and Smoke Check Doors		•	•	•	•
For door leaf thickness up to 50mm		•	•	•	•
Extended handle spindle and bolts for door leaf thickness of 50 – 105mm		○	○	○	○
Approved to EN1125		•	•	•	•
Fire Rated to EN1634		•	•	•	•
CE Marked for building products		•	•	•	•
Materials	Stainless Steel Grade 304	•	•	•	•
	Steel, Painting	○	○	○	○

• = Yes — = No ○ = Option

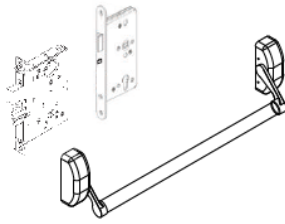
Classification Code

3 7 6 1 1 4 2 2 B A/C

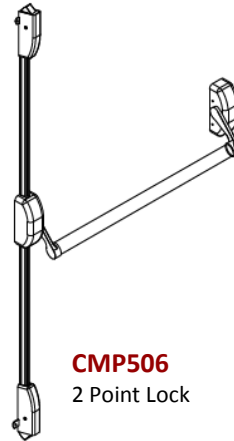




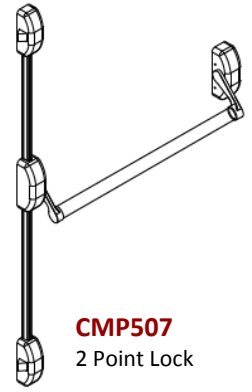
CMP501
1 Point Lock



CMP505
Lock by Mortise Lock



CMP506
2 Point Lock



CMP507
2 Point Lock

DATA AND FEATURES		CMP501	CMP505	CMP506	CMP507
Lock Point		1	1 Mortise Lock	2	2
Standard Doors (single leaf / double leaf)		•	•	•	•
Door Width	≤ 1020 mm	•	•	•	•
	> 1020 mm	○	○	○	○
Door Height	≤ 2300 mm	•	•	•	•
	≤ 3200 mm	○	○	○	○
Maximum Door Weight (Kg)		200	200	200	200
Non-handed Design		•	•	•	•
Dogging Device		—	—	—	—
Security Anti-thrust Latch		•	•	•	•
For Fire and Smoke Check Doors		•	•	•	•
For door leaf thickness up to 50mm		•	•	•	•
Extended handle spindle and bolts for door leaf thickness of 50 – 105mm		○	○	○	○
Approved to EN1125		•	•	•	•
Fire Rated to EN1634		•	•	•	•
CE Marked for building products		•	•	•	•
Materials	Stainless Steel Grade 304	•	•	•	•
	Steel, Painting	○	○	○	○

• = Yes — = No ○ = Option

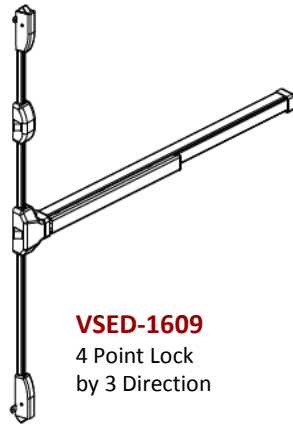
Classification Code

3 7 6 1 1 4 2 2 B A/C





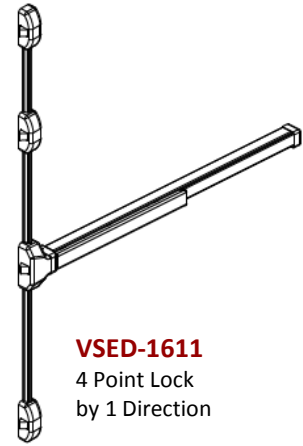
VSED-1608
3 Point Lock
by 3 Direction



VSED-1609
4 Point Lock
by 3 Direction



VSED-1610
3 Point Lock
by 1 Direction



VSED-1611
4 Point Lock
by 1 Direction



**American
Mortise Lock**



**European
Mortise Lock**



**Pullman
Latch**



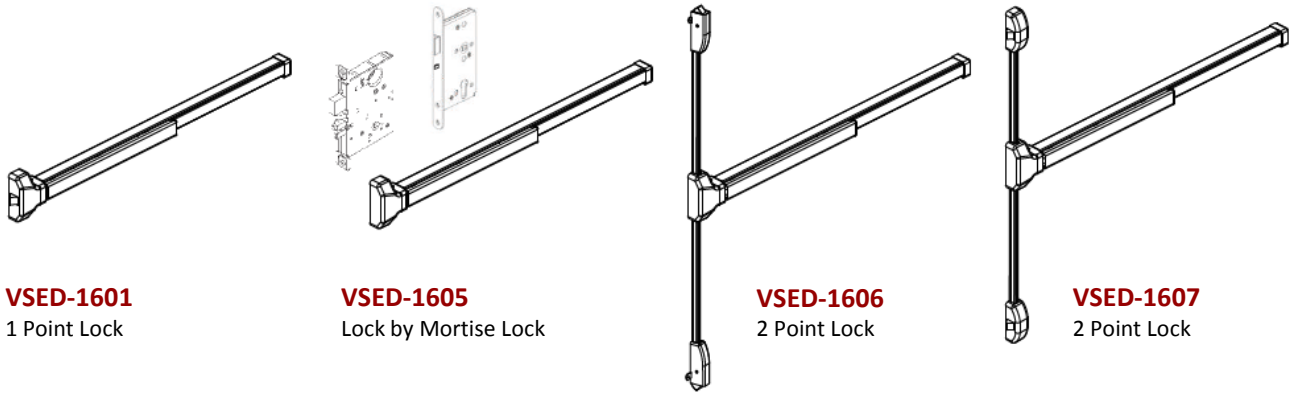
**Lateral
Latch**



**Lateral
Latch**

DATA AND FEATURES		VSED-1608	VSED-1609	VSED-1610	VSED-1611
Lock Point		3	4	3	4
Standard Doors (single leaf / double leaf)		●	●	●	●
Door Width	≤ 465 mm ≤ 650 mm	○	○	○	○
	< 650 mm ≤ 1320 mm	●	●	●	●
Door Height	≤ 2133 mm	●	●	●	●
	≤ 3200 mm	○	○	○	○
Maximum Door Weight (Kg)		200	200	200	200
Non-handed Design		●	●	●	●
Dogging Device		○	○	○	○
Security Anti-thrust Latch		●	●	●	●
For Fire and Smoke Check Doors		—	—	—	—
For door leaf thickness up to 50mm		●	●	●	●
Extended handle spindle and bolts for door leaf thickness of 50 – 105mm		○	○	○	○
Materials	Stainless Steel Grade 304	●	●	●	●
	Steel, Painting	○	○	○	○

● = Yes — = No ○ = Option



VSED-1601
1 Point Lock

VSED-1605
Lock by Mortise Lock

VSED-1606
2 Point Lock

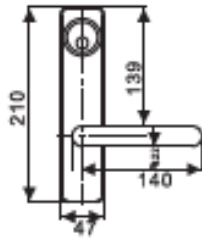
VSED-1607
2 Point Lock

DATA AND FEATURES		VSED-1601	VSED-1605	VSED-1606	VSED-1607
Lock Point		1	1 Mortise Lock	2	2
Standard Doors	(single leaf / double leaf)	●	●	●	●
Door Width	≤ 465 mm ≤ 650 mm	○	○	○	○
	< 650 mm ≤ 1320 mm	●	●	●	●
Door Height	≤ 2133 mm	●	●	●	●
	≤ 3200 mm	○	○	○	○
Maximum Door Weight (Kg)		200	200	200	200
Non-handed Design		●	●	●	●
Dogging Device		○	○	○	○
Security Anti-thrust Latch		●	—	—	●
For Fire and Smoke Check Doors		—	—	—	—
For door leaf thickness up to 50mm		●	●	●	●
Extended handle spindle and bolts for door leaf thickness of 50 – 105mm		○	○	○	○
Materials	Stainless Steel Grade 304	●	●	●	●
	Steel, Painting	○	○	○	○

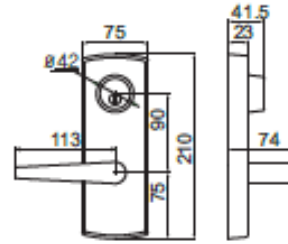
● = Yes — = No ○ = Option

Exit Device

1600 Series Panic Exit Device



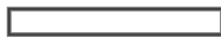
VSEA 401
Escutcheon Lever Trim
Non handed
Stainless Steel 304
Door Thickness: 45-50mm
Finish: SS, PSS, PVD, AB



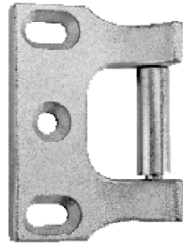
VSEA 410
Escutcheon Lever Trim
Non handed
Free wheeling, clutch design
Stainless Steel 304
Door Thickness: 45-50mm
Finish: SS, PSS, PVD, AB



VSEL-001
Keep



For Single Door



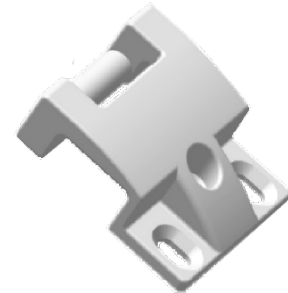
VSEL-003
Keep



For Double Door, Plate, Flush
Rebate, or Plain with an
Astragal



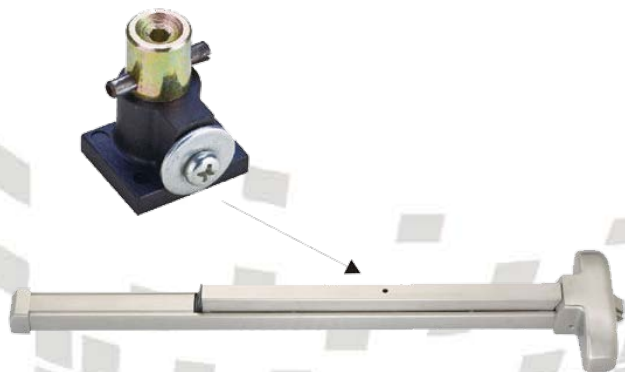
VSEL-005
Keep



VSEL-006
Keep



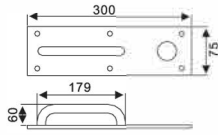
For Double Door, T or Z
Shape Astragal Door



VSEL-004
Dogging



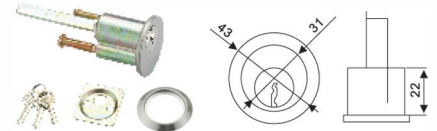
VSEL-011
Mounting Back Plate



CMPA001
Night latch plate
Work with cylinder CMPA003
Stainless steel 304
Finish: SS, PSS, PVD, AB



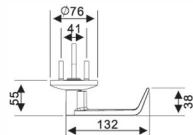
CMPA000
Night latch plate
Work with cylinder CMPA003
Stainless steel 304
Finish: SS, PSS, PVD, AB



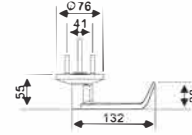
CMPA009
Cylinder
Zinc alloy
Finish: SN



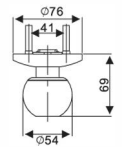
CMPA004
Lever trim
Non handed
Stainless steel 304, Zinc alloy
Finish: SS, PSS, PVD, AB
Door thickness: 45-50mm
Certificated: EN1634 fire rated
With square spindle



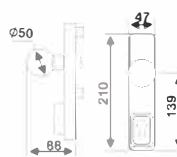
CMPA005
Lever trim
Non handed
Stainless steel 304, Zinc alloy
Finish: SS, PSS, PVD, AB
Door thickness: 45-50mm
Certificated: EN1634 fire rated



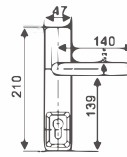
CMPA006
Knob trim
Non handed
Stainless steel 304
Finish: SS, PSS, PVD, AB
Door thickness: 45-50mm
Certificated: EN1634 fire rated



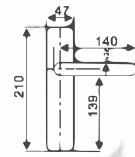
CMPA008
Escutcheon knob trim
Non handed
Stainless steel 304
Finish: SS, PSS, PVD, AB
Door thickness: 45-50mm
Certificated: EN1634 fire rated
Cylinder can be change in site



CMPA010
Escutcheon lever trim
Non handed
Stainless steel 304
Finish: SS, PSS, PVD, AB
Door thickness: 45-50mm
Certificated: EN1634 fire rated
Cylinder can be change in site



CMPA011
Escutcheon lever trim
Non handed
Stainless steel 304
Finish: SS, PSS, PVD, AB
Door thickness: 45-50mm
Certificated: EN1634 fire rated



Exit Device

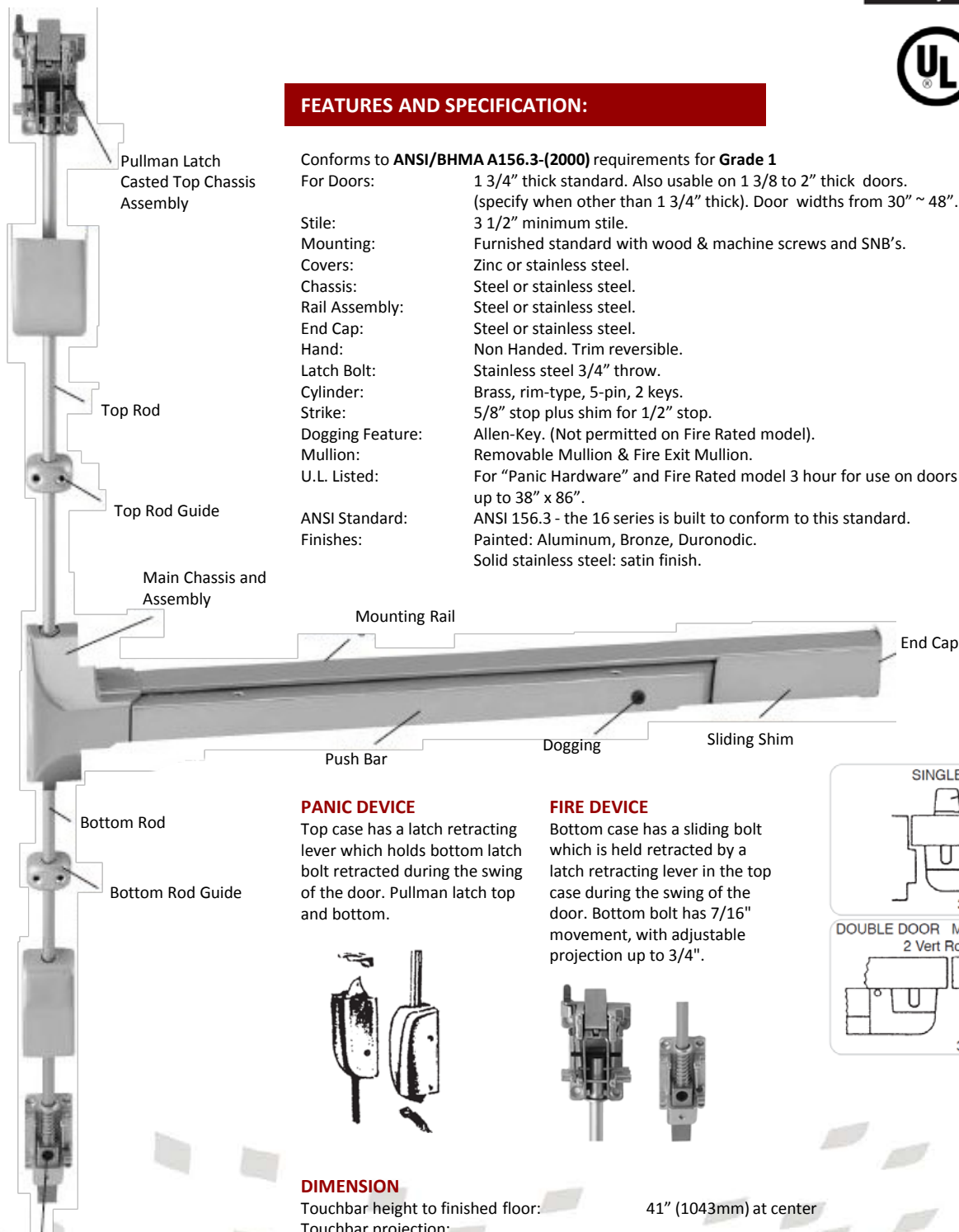
Panic Exit Device Accessories

**MODEL 16 SERIES # 6090V PANIC EXIT DEVICE
6090FV FIRE EXIT DEVICE**



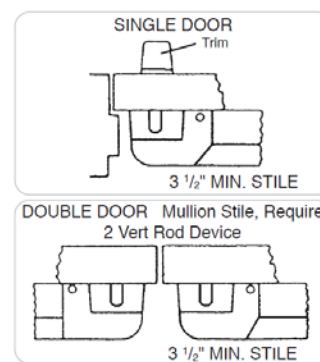
FEATURES AND SPECIFICATION:

Conforms to **ANSI/BHMA A156.3-(2000)** requirements for **Grade 1**
 For Doors: 1 3/4" thick standard. Also usable on 1 3/8 to 2" thick doors.
 (specify when other than 1 3/4" thick). Door widths from 30" ~ 48".
 Stile: 3 1/2" minimum stile.
 Mounting: Furnished standard with wood & machine screws and SNB's.
 Covers: Zinc or stainless steel.
 Chassis: Steel or stainless steel.
 Rail Assembly: Steel or stainless steel.
 End Cap: Steel or stainless steel.
 Hand: Non Handed. Trim reversible.
 Latch Bolt: Stainless steel 3/4" throw.
 Cylinder: Brass, rim-type, 5-pin, 2 keys.
 Strike: 5/8" stop plus shim for 1/2" stop.
 Dogging Feature: Allen-Key. (Not permitted on Fire Rated model).
 Mullion: Removable Mullion & Fire Exit Mullion.
 U.L. Listed: For "Panic Hardware" and Fire Rated model 3 hour for use on doors
 up to 38" x 86".
 ANSI Standard: ANSI 156.3 - the 16 series is built to conform to this standard.
 Finishes: Painted: Aluminum, Bronze, Duronodic.
 Solid stainless steel: satin finish.



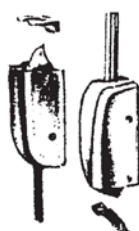
PANIC DEVICE
 Top case has a latch retracting lever which holds bottom latch bolt retracted during the swing of the door. Pullman latch top and bottom.

FIRE DEVICE
 Bottom case has a sliding bolt which is held retracted by a latch retracting lever in the top case during the swing of the door. Bottom bolt has 7/16" movement, with adjustable projection up to 3/4".

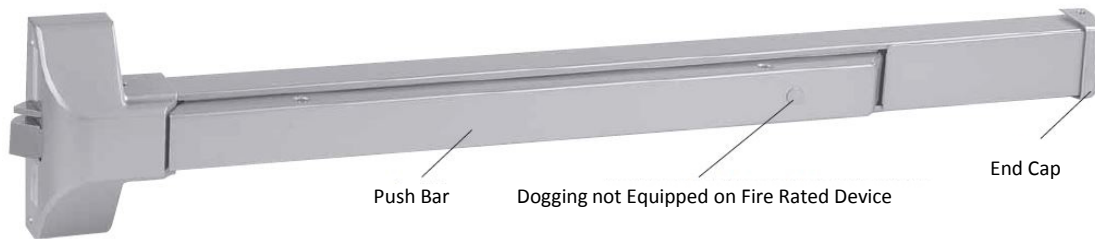


DIMENSION	
Touchbar height to finished floor:	41" (1043mm) at center
Touchbar projection:	
Neutral:	2 1/2" (64mm)
Depressed:	1 3/4" (45mm)
Center case:	6" x 3-3/4" x 2-1/2" (153mm x 94mm x 64mm)
Device length	
Short 3' (914mm):	2'9" to 3' (840mm to 914mm) door size
Long 4' (1219mm):	2'9" to 4' (1145mm to 1219mm) door size
Panic grade top & bottom latch case:	3 15/16" x 2 1/8" x 1 3/8" (100mm x 52mm x 42mm)
Fire grade top latch case:	3 15/16" x 2 11/16" x 1 1/16" (100mm x 68mm x 53mm)
Fire grade bottom latch case:	3 15/16" x 2 1/8" x 1 3/8" (100mm x 52mm x 42mm)
Top and bottom rod length for 36" x 84" doors:	Top rod 42 1/4" (1100mm), bottom rod 37 3/4" (960mm)
Top and bottom rod length for 48" x 96" doors:	Top rod 53 1/16" (1350mm), bottom rod 37 3/4" (960mm)
Vertical rods:	1/2" (13mm) Round tubing

Casted Bottom Rod Latch Assembly Or Bolt Assembly



**MODEL 16 SERIES # 6090 PANIC EXIT DEVICE
6090F FIRE EXIT DEVICE**



FEATURES AND SPECIFICATION:

Conforms to **ANSI/BHMA A156.3-(2000)** requirements for **Grade 1**

For Doors: 1 3/4" thick standard. Also usable on 1 3/8 to 2" thick doors. (specify when other than 1 3/4" thick). Door widths from 30" ~ 48". Please specify when ordering.

Stile: 4 1/2" minimum stile.

Mounting: Furnished standard with wood & machine screws and SNB's.

Covers: Zinc or stainless steel.

Chassis: Steel or stainless steel.

Rail Assembly: Steel or stainless steel.

End Cap: Steel or stainless steel.

Hand: Non Handed. Trim reversible.

Latch Bolt: Stainless steel 3/4" throw.

Dead Latch Bolt: Stainless steel 5/8".

Dogging Feature: Allen-Key. (Not equipped on Fire Rated model).

U.L. Listed: For "Panic Hardware" and Fire Rated model 3 hour for use on doors up to 38" x 86".

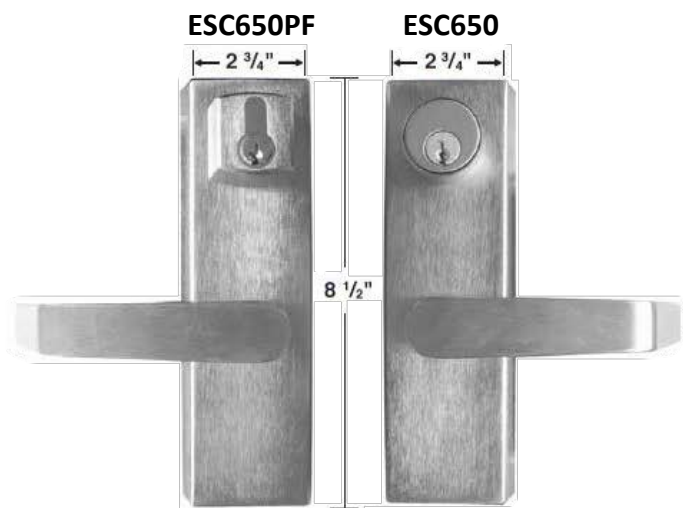
ANSI Standard: ANSI 156.3 - the 16 series is built to conform to this standard.

Finishes: Painted: Aluminum, Duronodic.
Stainless steel: Highly polished

Exit Device

Panic Exit Device

OUTSIDE ESCUTCHEON CYLINDER LEVER TRIM



ESCUTCHEON LEVER DESIGN

Construction

Thrubolted design, clutch freewheeling. Non handed design.
Easily field reversible.
Hardened steel heavy duty tailpiece. Available for fire and non fire rated rim and vertical rod exit devices.

Finished

Architectural plated finish.

Door Thickness

Standard 1 3/4".

Escutcheon Dimension

ESC500: 2 1/2" width x 9 1/8" length and

ESC600: 2 3/4" width x 8 1/2" length

Lever length: 4 3/4"

Both items are with:

- clutch feature and
- fitted with Model 16 series device & 7000 series device only

ESC950

- 2 7/8" width x 9" length

Lever length: 4 7/8"

- in stainless material
- fitted with Model 12 series device & 7000 series device only

All above escutcheons fit and cover 2 1/8" cutout

ESC-05 Entrance

- Key lock or unlock

ESC-08 Storeroom

- Key retract latchbolt , otherwise always locked

ESC-00 Passage

- Trim always operate and free

ESC-00D Dummy

- Dummy trim, one sided

Keyway:

Standard 6-pin "C" keyway.

OUTSIDE TRIM SELECTION



FINGER PULL 411

An inexpensive door pull for use when outside key access is desired.



BKL-650 BALL KNOB KEY LOCK

BKL-680 : Store Room Key Knob Trim
BKL-600 : Passage Knob Trim
BKL-500 : Dummy Trim



LHL-550 & LHL-650 ENTRY LEVER TRIM

Standard key function for panic device. Cylinder lock or unlocks lever when unlocked retracts latch bolt.

LHL-680, LHL-580 : Storeroom Lever Key Trim – Key operation lever, otherwise always locked.

LHL-600, LHL-500 : Passage Lever Trim always operable and free.

LHL-600DMY, LHL500DMY : Lever Trim One Side



LHL-770 INTERCHANGEABLE CODE

Cylinder Entry Lever Trim



**SQ #003
Pull**

Exit Device

Panic Exit Device

VOSET[®]
Architectural Hardware

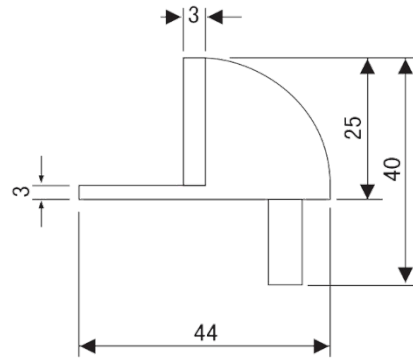


DOOR ACCESSORIES

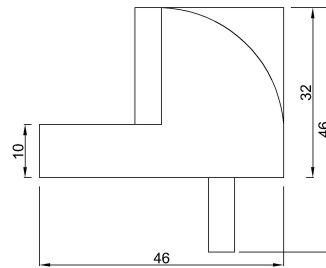
Collection of door furniture and accessories with finishes to match all VOSET series products.

Manufactured from high quality materials that guarantees the durability of the product.

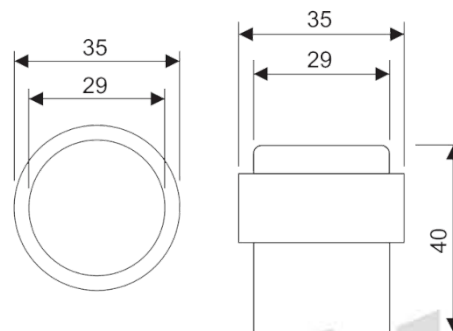
VDS 001
Dome Stop



VDS 002
Dome Stop



VDS 003
Cylindrical Floor Stop

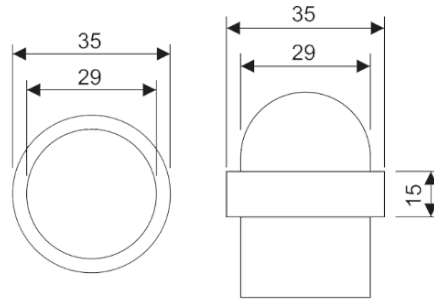


- Finishes:**
-  PSS - Polished Stainless Steel
 -  SSS - Satin Stainless Steel
 -  SN - Satin Nickel



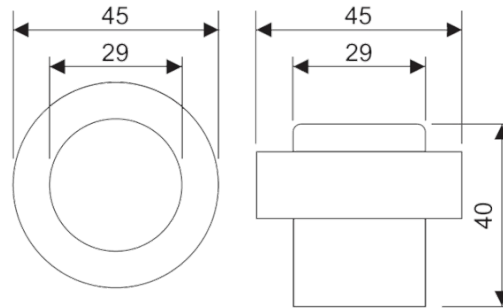
VDS 004

Cylindrical Floor Stop



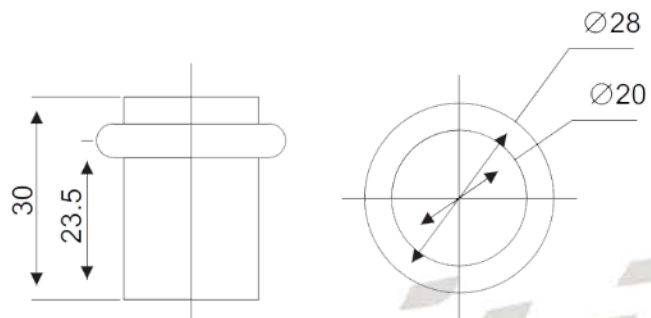
VDS 005

Cylindrical Floor Stop



VDS 006

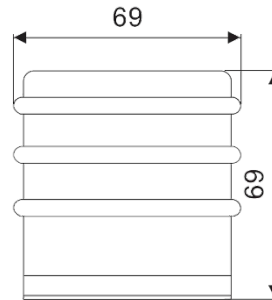
Cylindrical Floor Stop



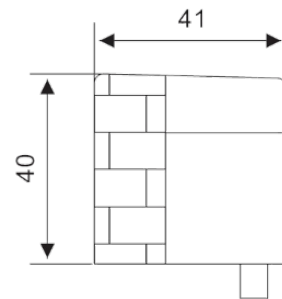
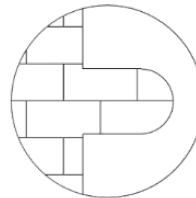
- Finishes:**
-  PSS - Polished Stainless Steel
 -  SSS - Satin Stainless Steel
 -  SN - Satin Nickel



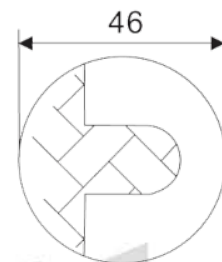
VDS 007
Cylindrical Floor Stop



VDS 008
Cylindrical Floor Stop



VDS 009
Cylindrical Floor Stop

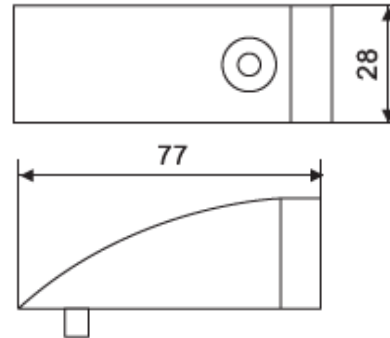


- Finishes:**
-  PSS - Polished Stainless Steel
 -  SSS - Satin Stainless Steel
 -  SN - Satin Nickel



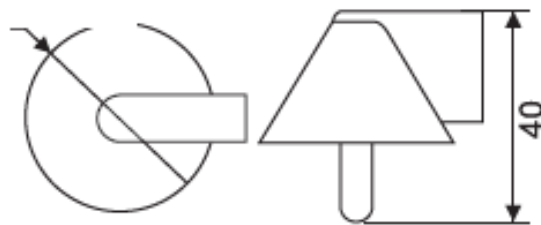
VDS 010

Prism Floor Stop



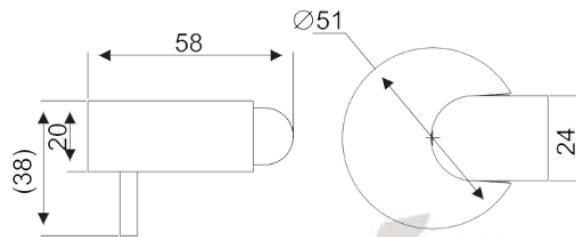
VDS 011

Conical Floor Stop



VDS 012

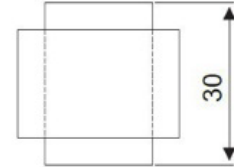
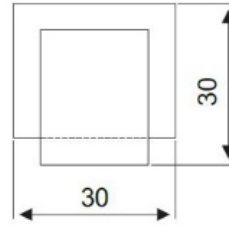
Turtle Floor Stop



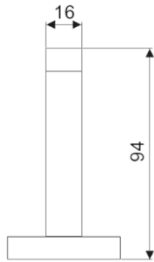
- Finishes:**
-  PSS - Polished Stainless Steel
 -  SSS - Satin Stainless Steel
 -  SN - Satin Nickel



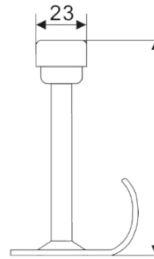
VDS 013
Square Floor Stop



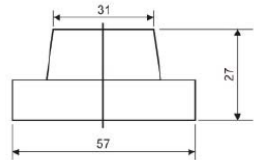
VDS 101
Wall Mounted Door Stop



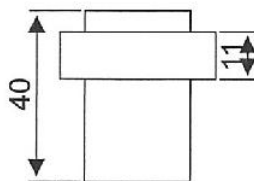
VDS 102
Wall Mounted Door Stop



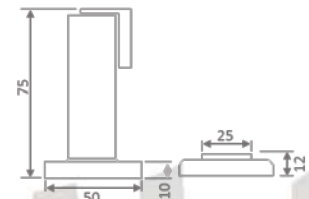
VDS 103
Wall Bumper



VDS 105
Rectangular Door Stop



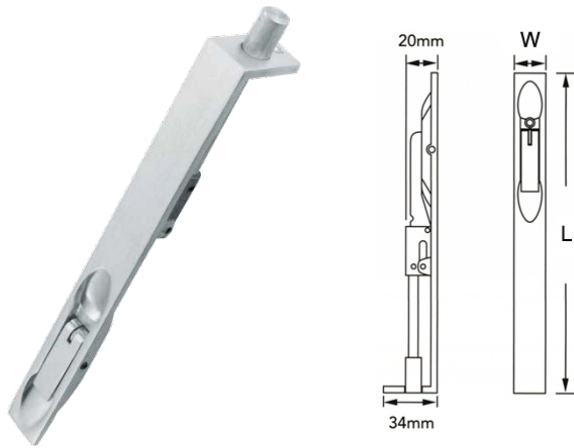
VDS 201
Magnetic Door Stop



- Finishes:**
-  PSS - Polished Stainless Steel
 -  SSS - Satin Stainless Steel
 -  SN - Satin Nickel



Lever Action Flush Bolt



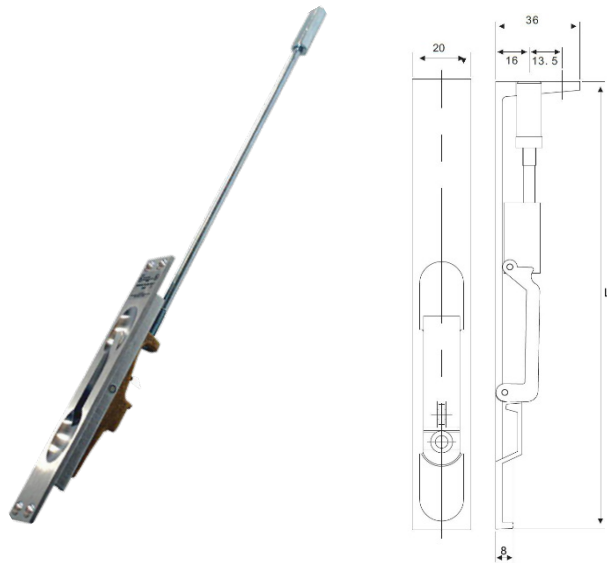
SIZES:

	L x W
VFB 001	: 150mm x 20mm
VFB 002	: 200mm x 20mm
VFB 003	: 250mm x 20mm
VFB 004	: 300mm x 20mm
VFB 005	: 450mm x 20mm
VFB 006	: 600mm x 20mm

Finishes:

	PSS - Polished Stainless Steel
	SSS - Satin Stainless Steel
	SN - Satin Nickel

Metal Door Flush Bolt



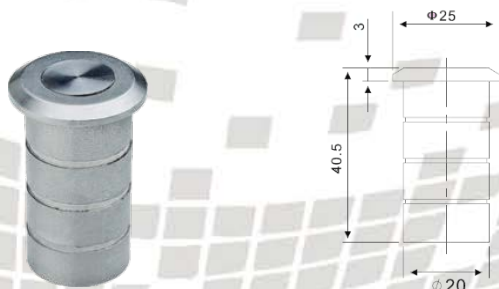
SIZES:

	L x W
VFB 100	: 150mm x 20mm
VFB 101	: 200mm x 20mm
VFB 102	: 300mm x 20mm

Finishes:

	PSS - Polished Stainless Steel
	SSS - Satin Stainless Steel
	SN - Satin Nickel

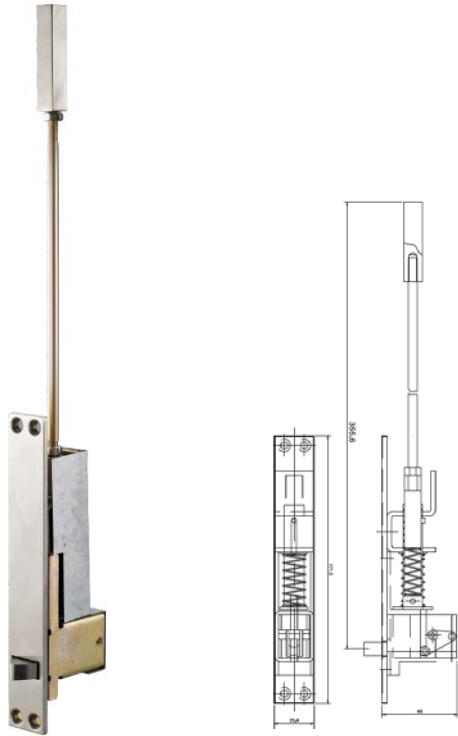
VDA 001 – Dust Excluding Socket



Finishes:

	PSS - Polished Stainless Steel
	SSS - Satin Stainless Steel
	SN - Satin Nickel

Automatic Flush Bolt for Metal Door



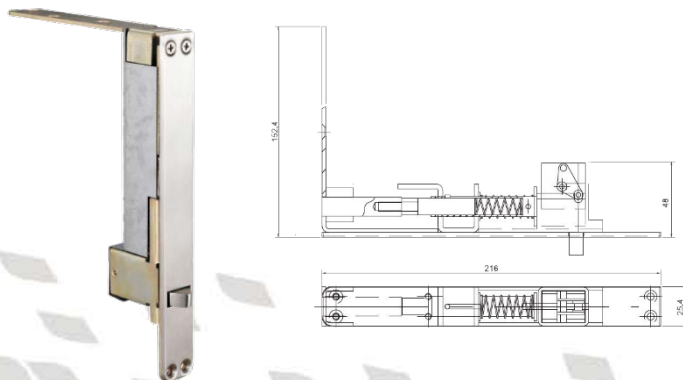
FEATURES:

- Fully Automatic – inactive door is latched when active door closes, bolts retracted when active door is opened.
- Non-Handed.
- Bolts have 19mm throw with a 22mm vertical adjustment.

- VFB 201** : 300mm rod length
VFB 202 : 450mm rod length
VFB 203 : 600mm rod length
VFB 204 : 900mm rod length
VFB 205 : 1200mm rod length

- Finishes:**
-  PSS - Polished Stainless Steel
 -  SSS - Satin Stainless Steel
 -  SN - Satin Nickel

Automatic Flush Bolt for Wooden Door



FEATURES:

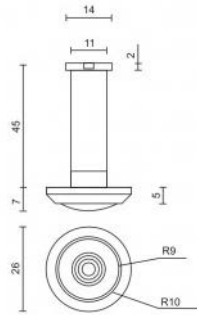
- Fully Automatic – inactive door is latched when active door closes, bolts retracted when active door is opened.
- Non-Handed.
- Bolts have 19mm throw with a 22mm vertical adjustment.

- VFB 301** : 220mm x 25.4mm

- Finishes:**
-  PSS - Polished Stainless Steel
 -  SSS - Satin Stainless Steel
 -  SN - Satin Nickel

Door Viewer

FEATURES:



- With secure and tamper resistance glass lens
 - Optional with cover
- VDV 001** : 180° viewing angle
VDV 002 : 200° viewing angle
VDV 003 : 180° viewing angle – with cover
VDV 004 : 200° viewing angle – with cover

- Finishes:**
-  PSS - Polished Stainless Steel
 -  SSS - Satin Stainless Steel
 -  SN - Satin Nickel

Door Security



VDA 100
Door Chain



VDA 101
Door Chain with Cover



VDA 102
Door Guard



VDA 103
Concealed Door Guard



VDA 104
Door Chain



VDA 105
Door Chain



VDA 106
Door Chain

Coat Hook



VDA 201
Coat Hook



VDA 202
Coat Hook



VDA 203
Coat Hook



VDA 204
Coat Hook



VDA 205
Coat Hook

- Finishes:**
-  PSS - Polished Stainless Steel
 -  SSS - Satin Stainless Steel
 -  SN - Satin Nickel

Flush Pull

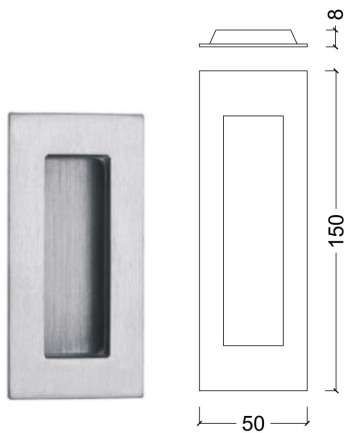


VFP 101
Rectangular Flush Pull

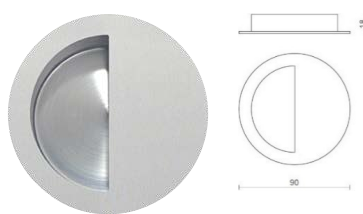
VFP 102
Oval Flush Pull

VFP 107
Rectangular Flush Pull

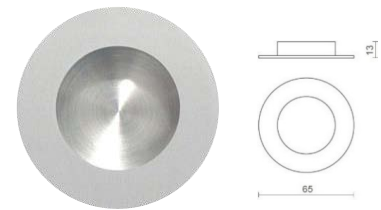
VFP 108
Rectangular Flush Pull



VFP 109
Rectangular Flush Pull



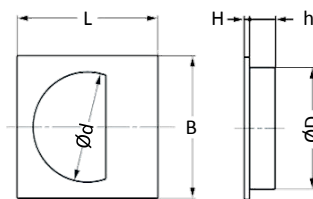
VFP 103
Round Flush Pull



VFP 104
Round Flush Pull



Square Flush Pull

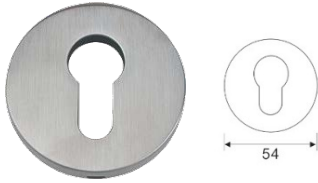


- Finishes:**
- PSS - Polished Stainless Steel
 - SSS - Satin Stainless Steel
 - SN - Satin Nickel

Item Code	L	B	H	h	D	d
VFP 105-35/S	44 mm	44 mm	2 mm	9.8 mm	35.1 mm	31 mm
VFP 105-38/S	47 mm	47 mm	2 mm	10.3 mm	37.6 mm	34 mm
VFP 105-48/S	57 mm	57 mm	2 mm	10.3 mm	48.6 mm	44 mm

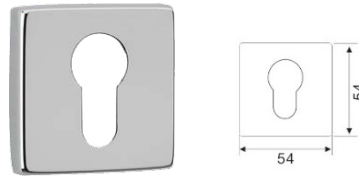
VAE 001

Euro Profile Escutcheons



VAE 002

Euro Profile Escutcheons



VAE 201

Euro Profile Pull Escutcheons



VAT 001

Thumbturn with indicator



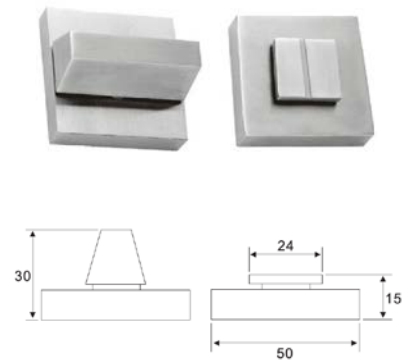
VAT 002

Thumbturn with indicator



VAT 003

Thumbturn without indicator



VAT 101

Indicator Bolt



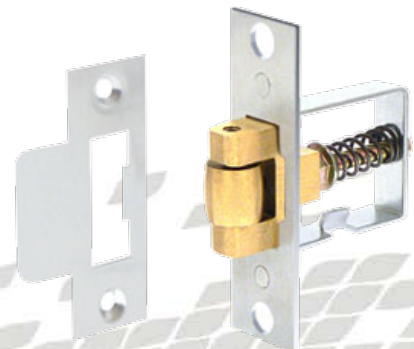
VAT 102




Bathroom Dead Bolt



VAT 103

Heavy Duty Roller Catch



- Finishes:**
-  PSS - Polished Stainless Steel
 -  SSS - Satin Stainless Steel
 -  SN - Satin Nickel



Push and Kick Plate

FEATURES:



- All Plates are 1.5mm thick
- Drilled and countersunk
- Square or radius edge
- "Push" engraved to order
- Other sizes available on special request

Finishes:

-  PSS - Polished Stainless Steel
-  SSS - Satin Stainless Steel
-  SN - Satin Nickel

	H x W
VPP 001	: 250 x 75mm
VPP 002	: 300 x 75mm
VPP 003	: 350 x 75mm
VPP 004	: 400 x 75mm
VPP 005	: 600 x 75mm
VPP 100	: 250 x 100mm
VPP 101	: 300 x 100mm
VPP 102	: 350 x 100mm
VPP 103	: 400 x 100mm
VPP 104	: 650 x 100mm
VPP 106	: 500 x 100mm
VPP 201	: 300 x 150mm
VPP 202	: 450 x 150mm
VPP 203	: 600 x 150mm

VKP-100	: 100mm High x Door Width
VKP-150	: 150mm High x Door Width
VKP-200	: 200mm High x Door Width
VKP-250	: 250mm High x Door Width

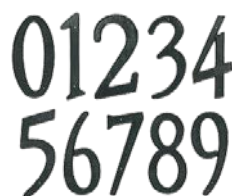
Door Number



VSA 001



VSA 002



VSA 003

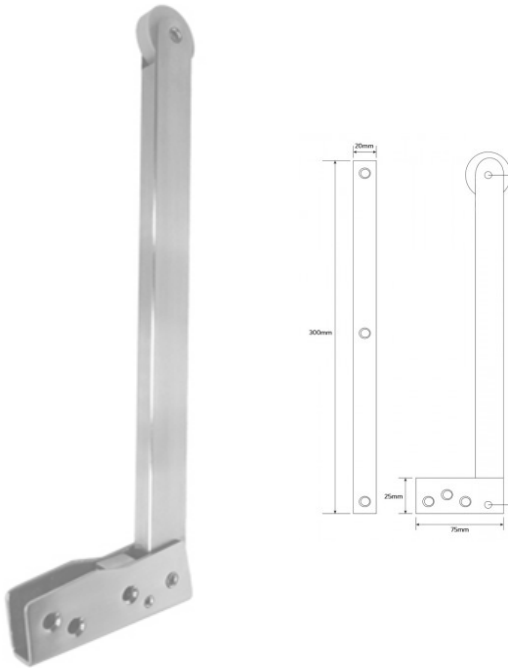


VSA 004

Finishes:

-  PSS - Polished Stainless Steel
-  SSS - Satin Stainless Steel
-  SN - Satin Nickel

Door Selector



FEATURES:

- Non-handed
- Prevents the active door leaf from closing until the inactive door leaf is closed.

VDSE 001 : Door Selector

- Finishes:**
- PSS - Polished Stainless Steel
 - SSS - Satin Stainless Steel
 - SLV - Silver

Door Coordinator



FEATURES:

- Non-handed
- Prevents the active door leaf from closing until the inactive door leaf is closed.

VDSE 002 : Gravity Door Coordinator

- Finishes:**
- PSS - Polished Stainless Steel
 - SSS - Satin Stainless Steel
 - SLV - Silver

Pull Handle on Plate



FEATURES:

- Back Plated
- All Plates are 1.5mm thick
- Drilled and countersunk
- Square or radius edge
- “Pull” engraved
- Other sizes available on special request

VPHH 003/VPP 101 :
19mm x 150mm pull handle on
300 x 100mm plate

VPHH 004/VPP 102 :
19mmØx 225mm pull handle on
350 x 100mm plate

VPHH 005/VPP 103 :
19mmØx 300mm pull handle on
400 x 100mm plate

VPHH 006/VPP 104 :
19mmØx 400mm pull handle on
650x 100mm plate

VPHH 008/VPP 101 :
22mm x 225mm pull handle on
300 x 100mm plate

Finishes:



Signage



VSA 101
Gender Signage



VSA 102
Male Signage

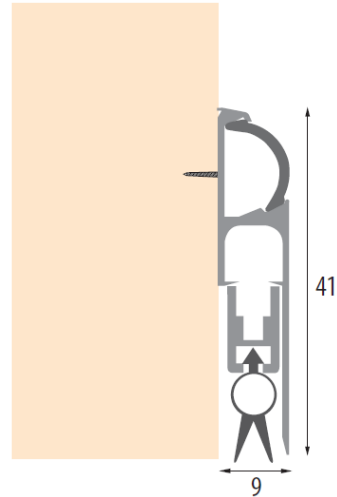
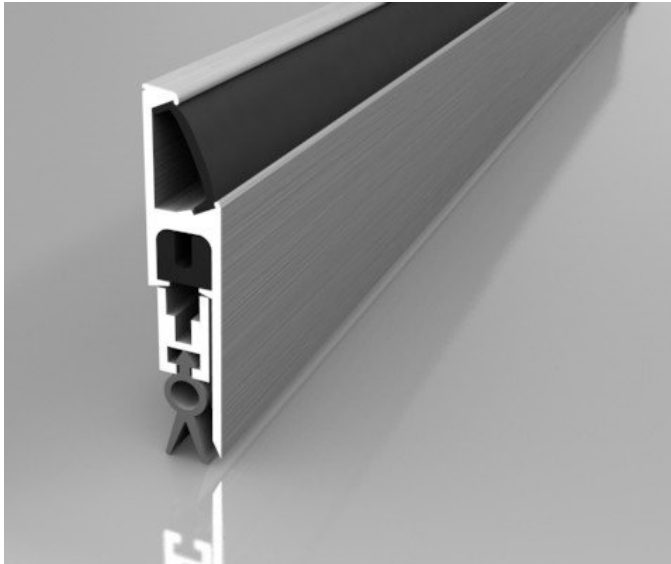


VSA 103
Female Signage



VSA 104
Disabled Signage

SURFACE MOUNTED DROPDOWN SEAL



FEATURES:



To ensure adequate acoustic sealing and to minimize the closing force it is necessary to install automatic dropdown seals at the threshold of the doorset. These can be either surface mounted or rebated into the door leaf.

A medium duty, automatic door bottom seal which is face-fixed to the bottom edge of single action doors. The seal has a spring loaded mechanism which lifts the seal clear of the floor as soon as the door is opened. Pressure against the door jamb on the adjustable brass strike button operates the seal automatically.

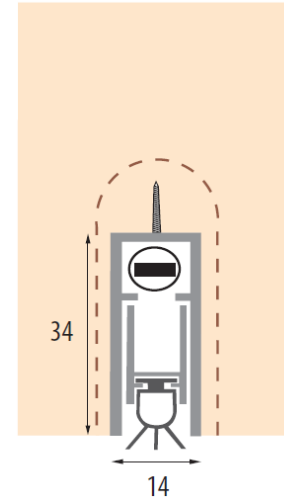
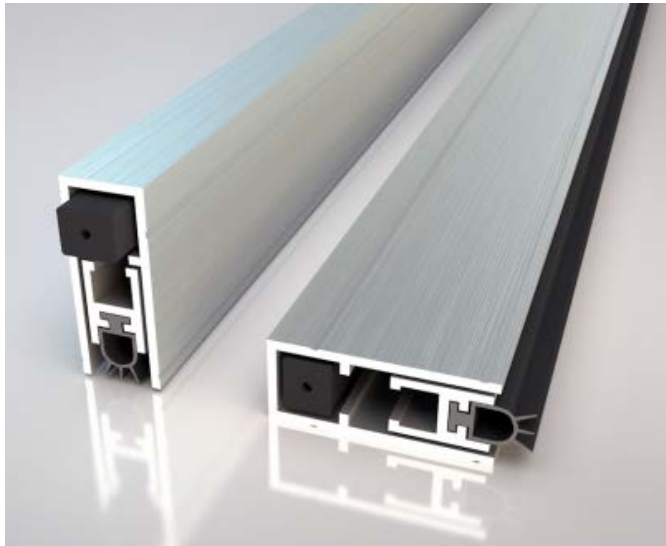
The seal contains a high efficiency mechanism and are available in a range of lengths and can be cut back by 100mm maximum to suit the requirements of individual doorsets.

Item Code	Size
VSMDD 615	615 mm
VSMDD 715	715 mm
VSMDD 815	815 mm
VSMDD 915	915 mm
VSMDD 1035	1035 mm
VSMDD 1115	1115 mm
VSMDD 1215	1215 mm

Dropdown Height is 15 mm.

Dropdown Seal

INTEGRAL DROPDOWN SEAL



FEATURES:



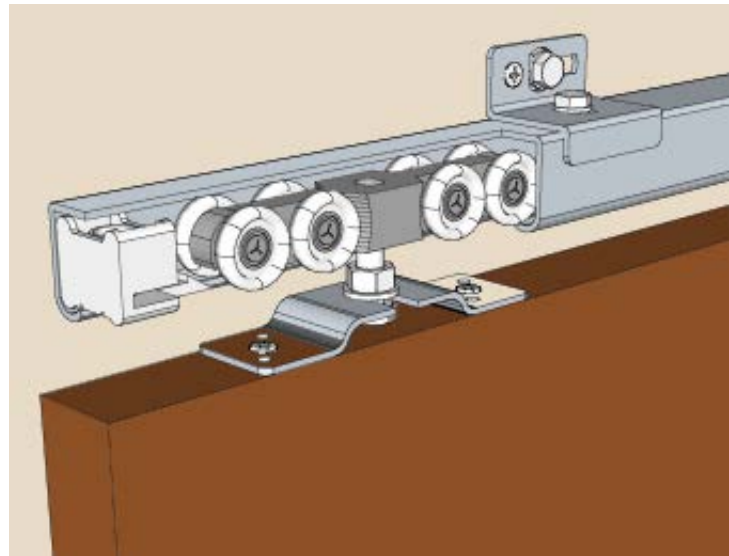
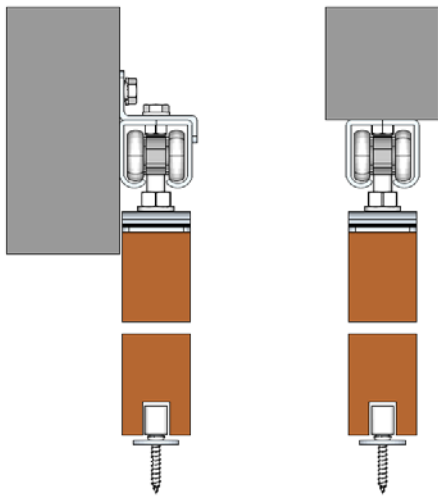
To ensure adequate acoustic sealing and to minimize the closing force it is necessary to install automatic dropdown seals at the threshold of the doorset. These can be either surface mounted or rebated into the door leaf.

A medium duty, concealed automatic door dropdown seal which is mortised into the bottom edge of single action doors. It operates automatically by a spring loaded mechanism which lifts the seal clear of the floor as soon as the door is opened.

Mounted into a 35mm deep x 15mm wide machined groove, the seal is screw fixed back into the door stiles via stainless steel end plates, holding the seal in place. The seal operates automatically by pressure against the door jamb on its adjustable strike button. The seal contains a high efficiency mechanism and are available in a range of lengths and can be cut back by 100mm maximum to suit the requirements of individual doorsets.

Item Code	Size
VIDD 635	635 mm
VIDD 735	735 mm
VIDD 835	835 mm
VIDD 935	935 mm
VIDD 1035	1035 mm
VIDD 1135	1135 mm
VIDD 1235	1235 mm

Dropdown Height is 15 mm.



FEATURES:

**ROLL GE 18 SLIDING SYSTEM
120 KGS CARRYING CAPACITY**

9399.2305.089 – 30x30mm anodized aluminum upper track.

Standard lengths: 3m, 4m, 5m & 6m.

Other sizes available upon special request.

Galvanized steel face fixing bracket for the track.

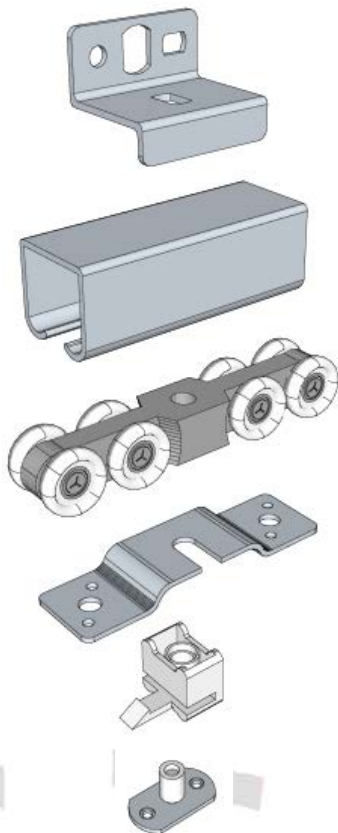
2 sets of aluminum hangers with 8-22mm diameter nylon wheels and ball bearing rollers

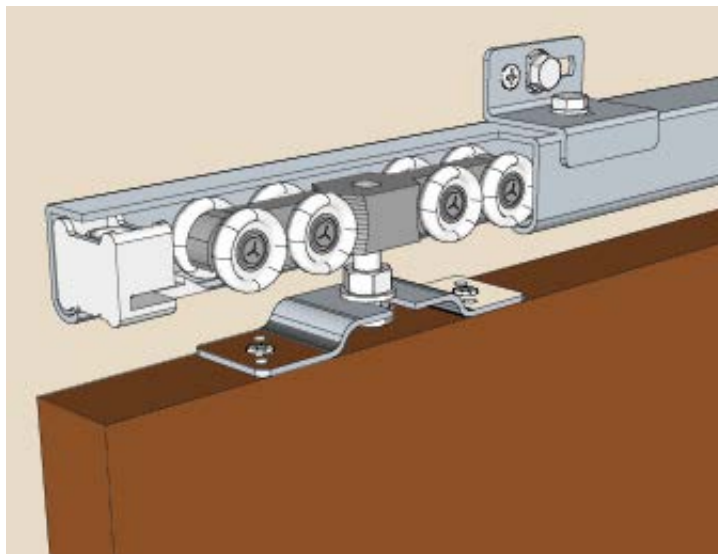
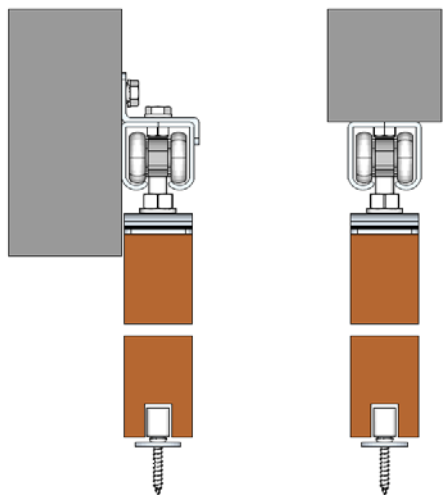
2 sets of 30x105mm galvanized steel face plates

2 sets of door stopper – holder

Bottom guide with rotating nylon pin

The set includes all the fixing screws and accessories for a door except for upper track





FEATURES:

**ROLL GE 17 SLIDING SYSTEM
80 KGS CARRYING CAPACITY**

9399.2305.089 – 30x30mm anodized aluminum upper track.
Standard lengths: 3m, 4m, 5m & 6m.
Other sizes available upon special request.

Galvanized steel face fixing bracket for the track.

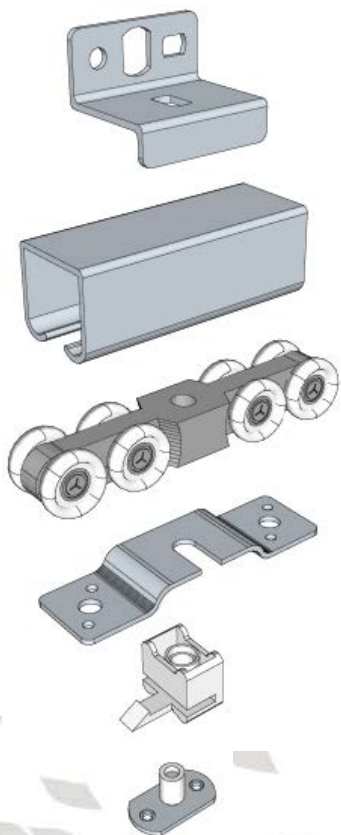
2 sets of aluminum hangers with 8-22mm diameter nylon wheels and ball bearing rollers

2 sets of 30x105mm galvanized steel face plates

2 sets of door stopper – holder

Bottom guide with rotating nylon pin

The set includes all the fixing screws and accessories for a door except for upper track



FEATURES:

VOSET SLIDE – FOLD SYSTEM



VSF.2201.001



VSF.2201.002

VSF.2201.001 Anodized aluminum upper track.
Standard lengths: 3m, 4m, 5m & 6m.
Other sizes available upon special request.

VSF.2201.002 Rollers with plate incl. screws

VSF.2201.003 Fixed Top Pivot



VSF.2201.003



VSF.2201.004

VSF.2201.004 Fixed Bottom Pivot

VSF.2201.006 Concealed hinges 20kg capacity
each hinges

VSF.2201.006 Bottom guide with rotating nylon pin



VSF.2201.005



VSF.2201.006

4-fold Door Requirements:

- 1 no.– aluminum upper track (size varies on door width.)
- 2 no. – Rollers with Plate
- 1 no. – Top Pivot
- 1 no. – Bottom Pivot
- Varies** no. – Concealed Hinges (depending on door Height)

Max. load of the door 40 Kg
Max. Door width 800 mm
Max. height of the door 3000 mm
Min. thickness 30 mm



VOSET UK Limited
19 Athole Street, Salford,
Greater Manchester, M5 4FL, United Kingdom.
Email: info@voaset.uk.com
Website: www.voaset.uk.com